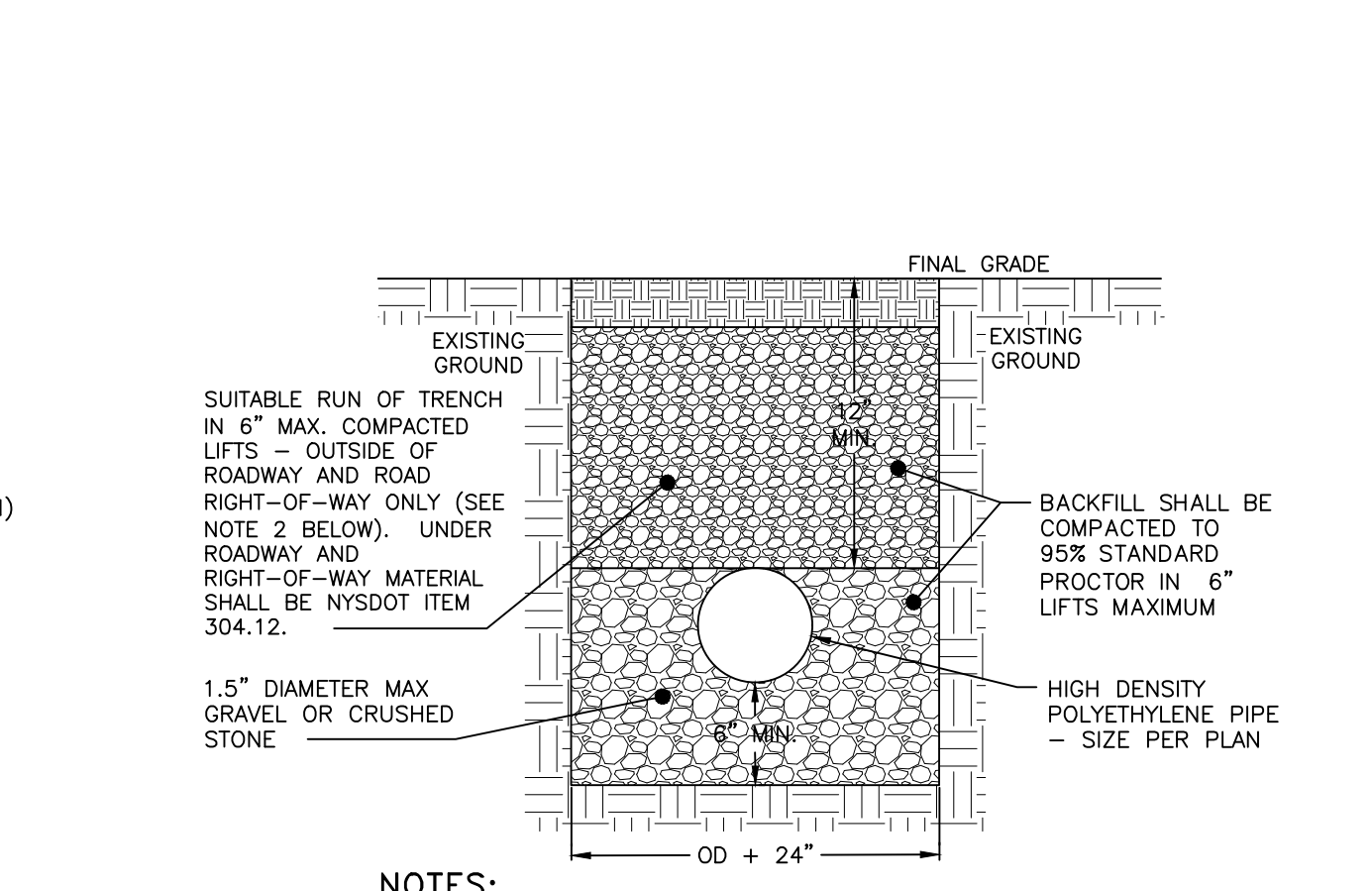


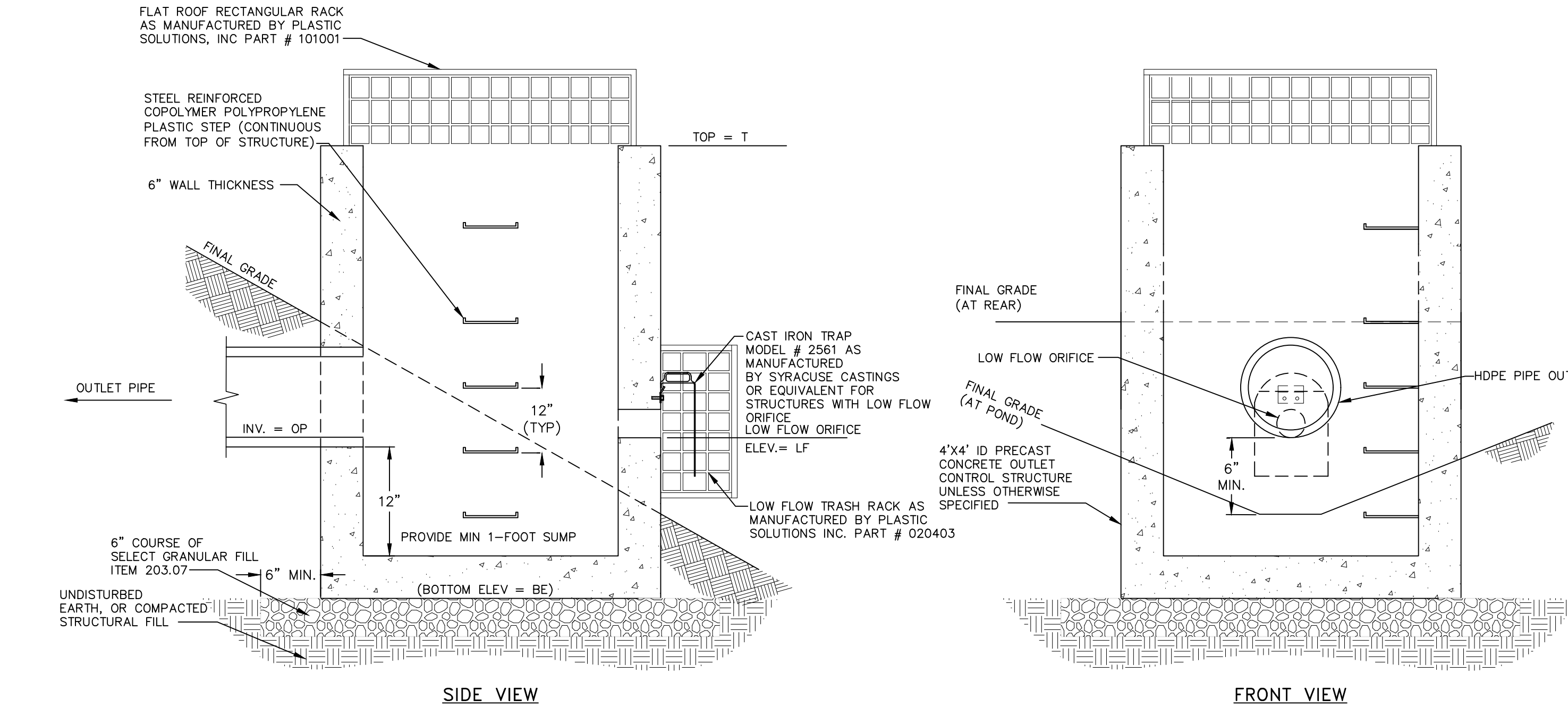
NOTES:

- PRECAST CONCRETE CATCH BASIN WITH CONCRETE STRENGTH OF 4000 PSI @ 28 DAYS. THE ENDS OF ALL PIPES SHALL BE CUT OFF FLUSH WITH THE INSIDE SURFACE OF THE CATCH BASIN AND PARALLEL AROUND.
- ALL PIPES SHALL BE PARALLEL TO THE MAIN OR SERVICE LATERAL SHALL BE MADE WATER-TIGHT.
- PROVIDE A MINIMUM 0.1" DROP BETWEEN INLET AND OUTLET INVERTS (MATCH CROWNS FOR PIPES WITH DIFFERENT SIZES) UNLESS OTHERWISE NOTED ON THE PLAN.
- CATCH BASINS WITH AN INTERIOR DEPTH OF 4' AND GREATER SHALL BE FURNISHED WITH STEEL REINFORCED POLYPROPYLENE PLASTIC STEPS AT 12" INTERVALS.
- PIPE RINGS SHALL BE PROVIDED WITH WATER-TIGHT CONNECTIONS. ADD MODEL N12 W118 OR APPROVED EQUAL.



NOTES:

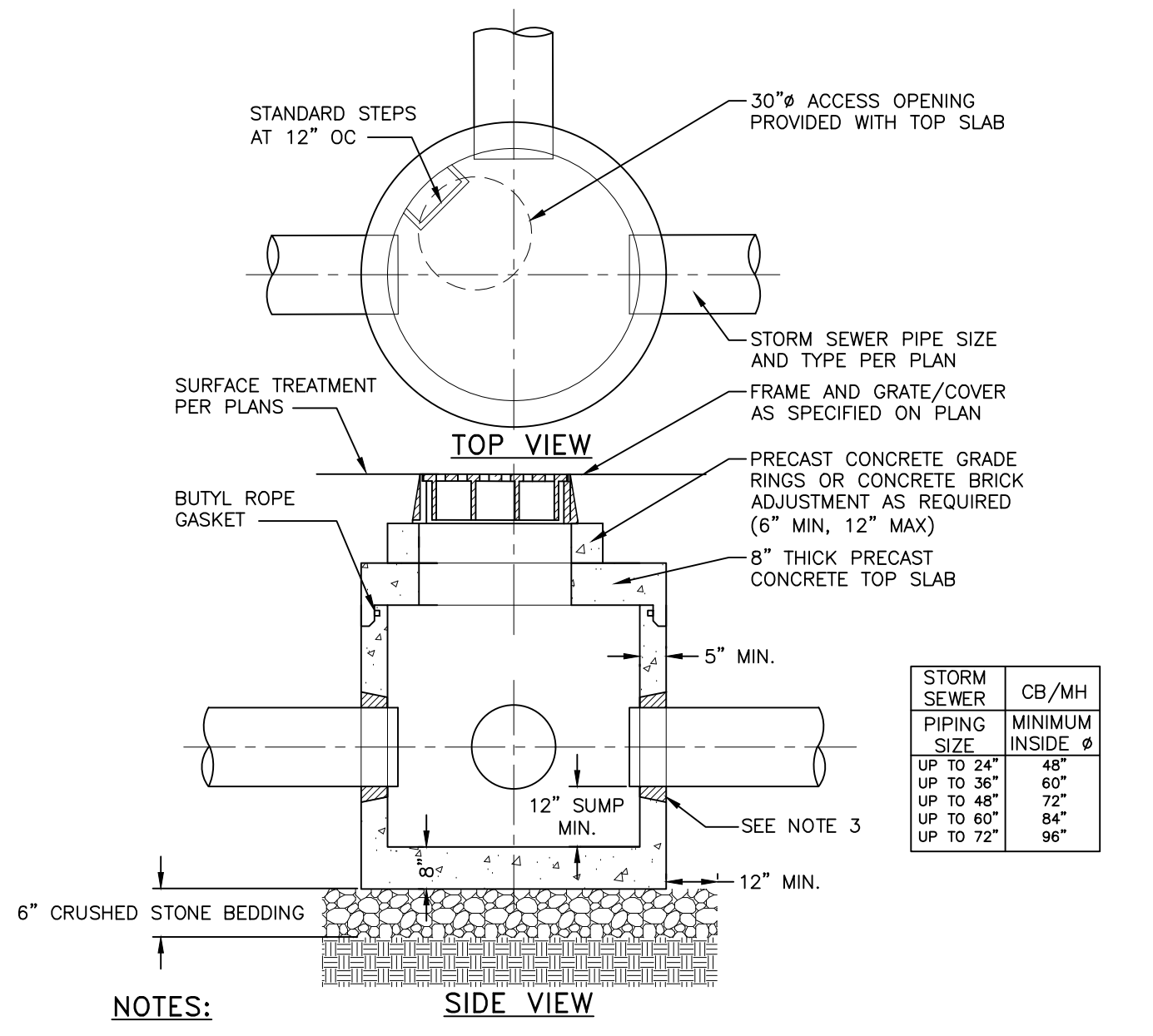
- EXCAVATION AND TRENCHING SHALL MEET ALL OSHA REQUIREMENTS.



OCIS ID	STRUCTURE DIMENSIONS	LOW FLOW ORIFICE DIM. (IN)	"L" (FT)	HIGH FLOW ORIFICE DIM.	# OF HIGH FLOW INLETS	"H" (FT)	"I" (FT)	OUTLET PIPE # (IN)	TOP" (FT)	HIGH FLOW ORIFICE TRASH RACK PART #
3	4'x4' I.D.	1" W x .75" H	59.4	NONE	NONE	N/A	61.65	15	55.00	N/A

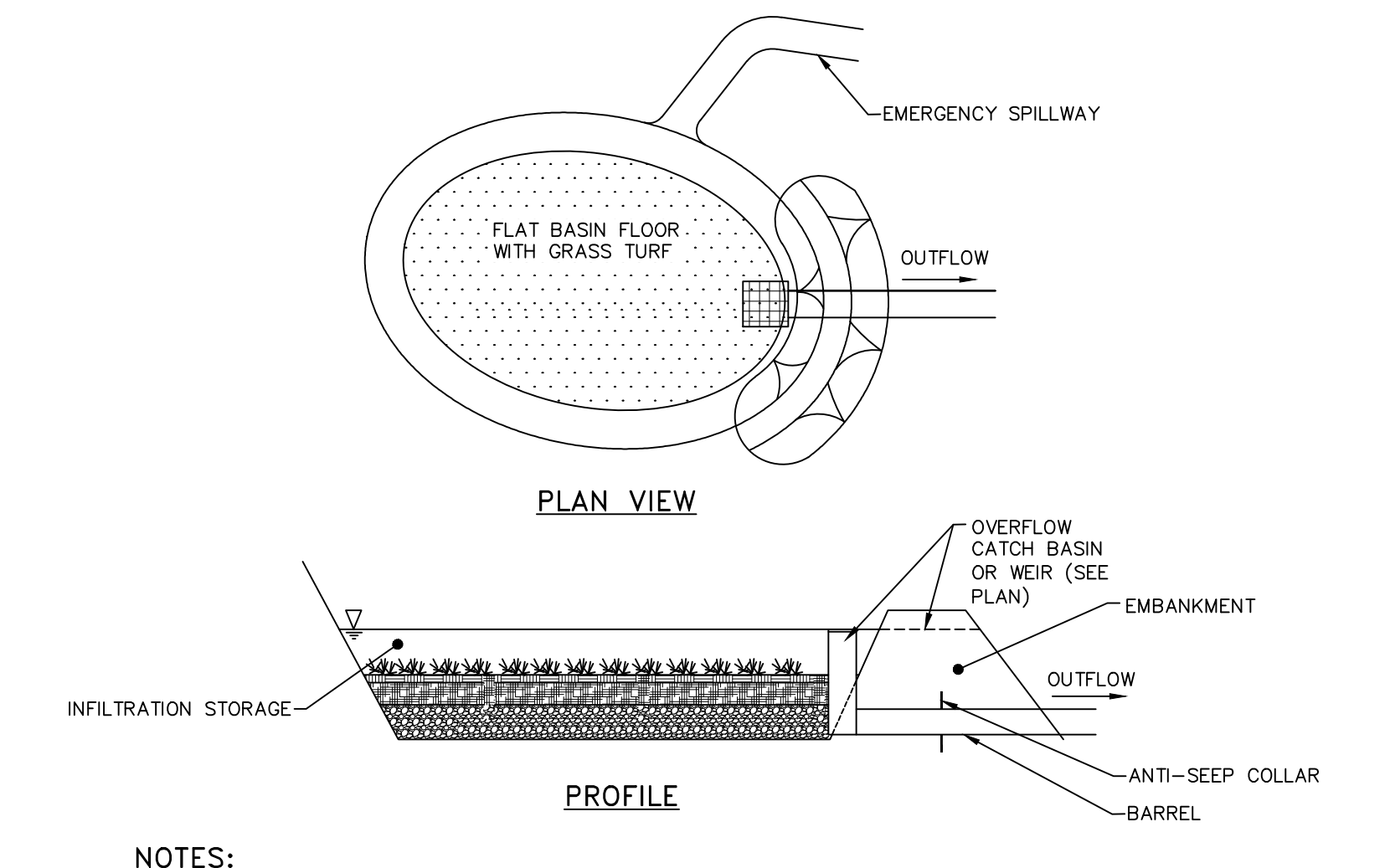
NOTES:

- ALL TRASH RACKS SHALL HAVE UV PROTECTION MEETING OR EXCEEDING THE REQUIREMENTS OF ASTM D2565-99.
- TRASH RACKS SHALL BE SECURED PER THE MANUFACTURER'S RECOMMENDATIONS.
- WHERE HIGH FLOW ORIFICE EXTENDS TO TOP OF STRUCTURE, THE MAXIMUM ALLOWABLE GAP BETWEEN THE TRASH RACKS SHALL BE 4".



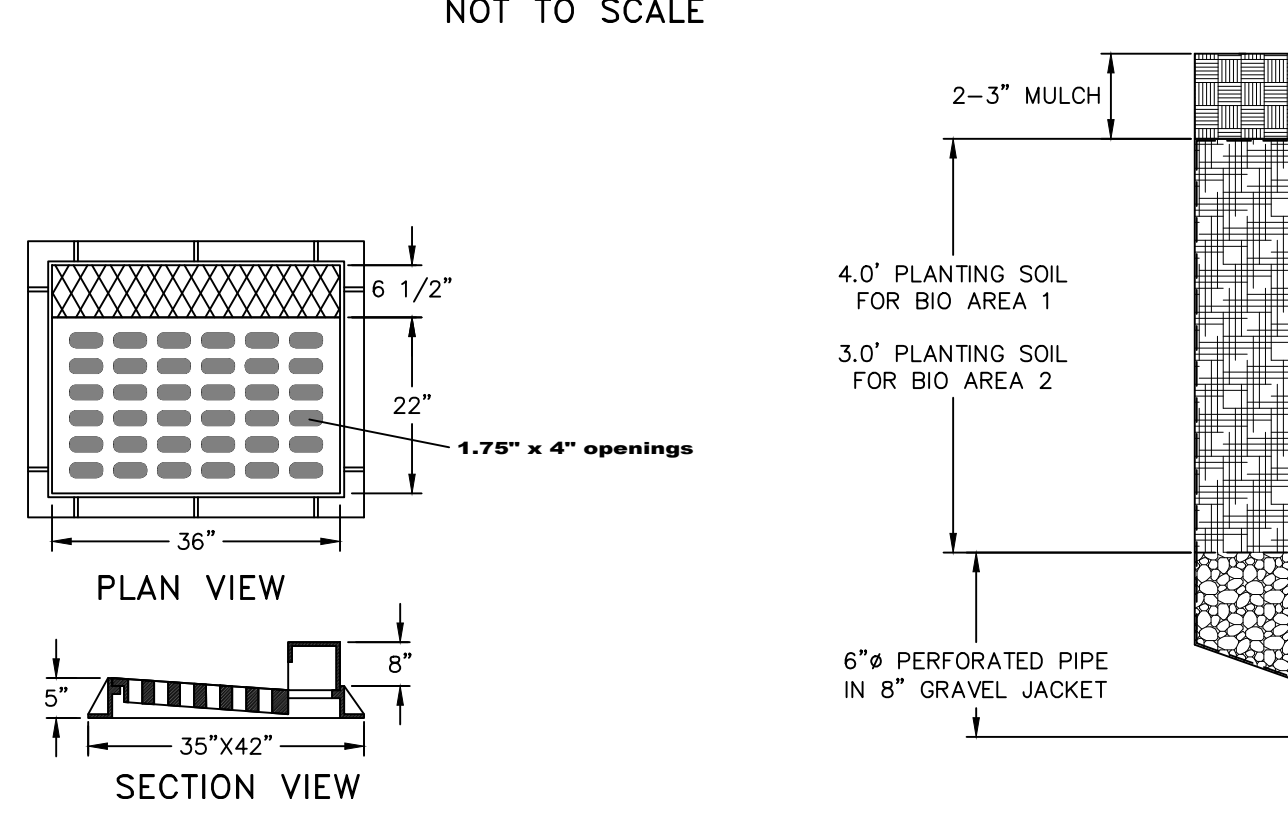
NOTES:

- PRECAST CONCRETE MANHOLE WITH CONCRETE STRENGTH OF 4000 PSI @ 28 DAYS. THE ENDS OF ALL PIPES SHALL BE CUT OFF FLUSH WITH THE INSIDE SURFACE OF THE MANHOLE AND PARALLEL AROUND.
- PIPES SHALL BE PARALLEL AROUND INTERIOR AND EXTERIOR PRIOR TO BACKFILLING OF STRUCTURE. 4. CONCRETE STRUCTURE AND CASTING SHALL BE RATED FOR H20 TRAFFIC LOADING.
- INLET FRAME SHALL BE FULLY SUPPORTED ON THE CONCRETE STRUCTURE FOR H20 LOADING.
- MANHOLES WITH AN INTERIOR DEPTH OF 4' AND GREATER SHALL BE FURNISHED WITH STEEL REINFORCED POLYPROPYLENE PLASTIC STEPS AT 12" INTERVALS.



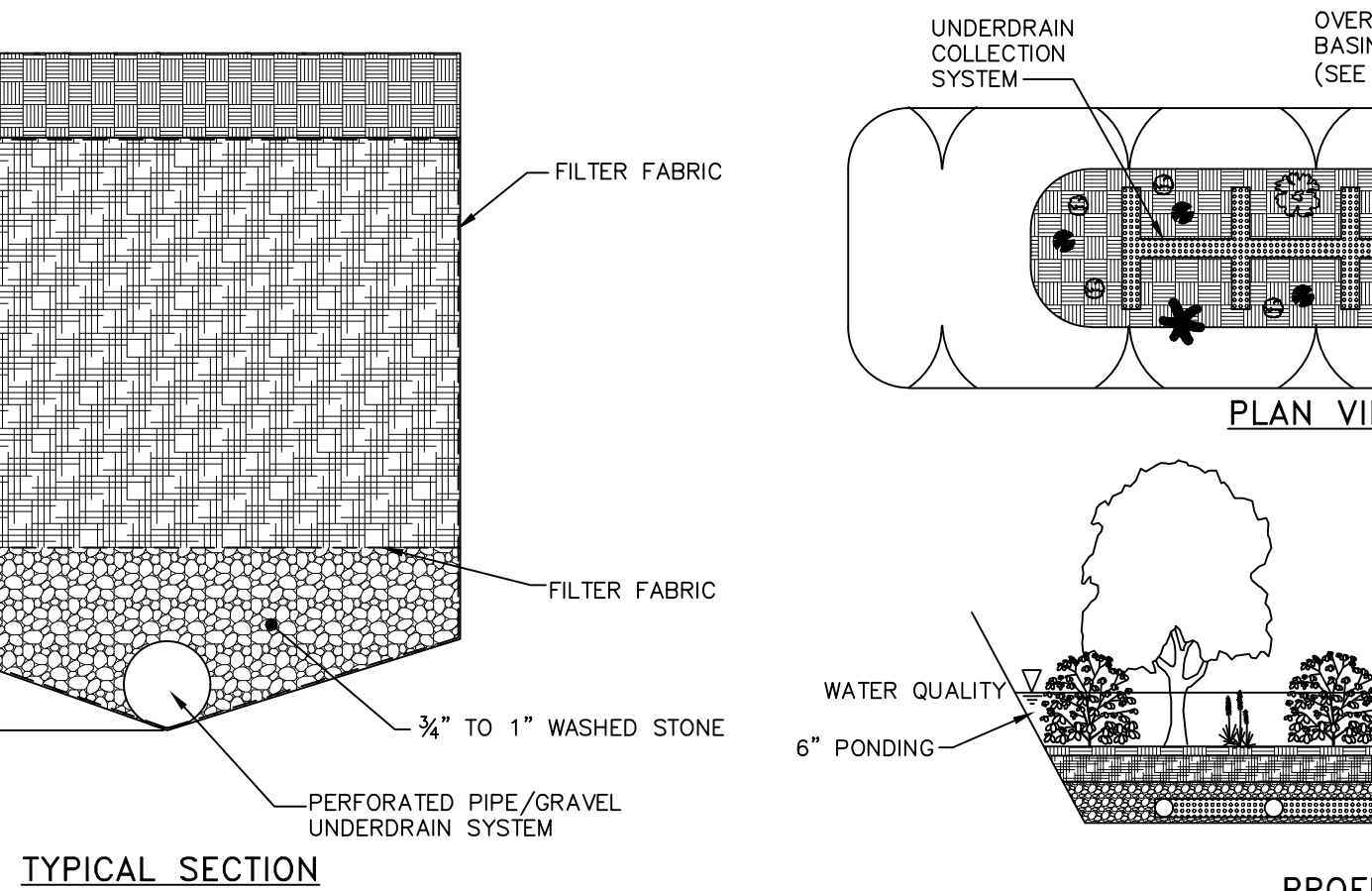
NOTES:

- THE INFILTRATION BASIN SHALL NOT SERVE AS A SEDIMENT TRAP DURING CONSTRUCTION AND SHALL BE PROTECTED FROM CONSTRUCTION ACTIVITY.
- RELATIVELY LIGHT TRACKED EQUIPMENT IS RECOMMENDED FOR CONSTRUCTION PURPOSES TO AVOID COMPACTION OF THE BASIN FLOOR.
- A HIGHLY PERVIOUS SURFACE TEXTURE SHALL BE RETAINED ALONG THE BASIN FLOOR TO PREVENT EROSION AND SLOPING AND TO PROVIDE A NATURAL MEANS OF MAINTAINING A RELATIVELY HIGH INFILTRATION RATES.
- ERASERS OF THE FESCUE FAMILY (ALTA FESCUE, WESTERN FESCUE OR RED FESCUE) ARE SPECIFIED ON THIS PLAN PRIMARILY DUE TO THEIR ADAPTABILITY TO DRY SANDY SOILS, DROUGHT RESISTANCE, HARDNESS, AND ABILITY TO WITHSTAND BREEZING BURNATIONS. FESCUE WILL ALSO ALLOW FOR LONG INTERVALS BETWEEN MOWINGS, WHICH SHALL OCCUR TWICE PER YEAR MINIMUM, TYPICALLY IN JUNE AND SEPTEMBER IS SATISFACTORY.
- THE BERMS SHALL BE SUFFICIENTLY COMPACTED AND OF SUCH MATERIAL TO PREVENT SEEPAGE.



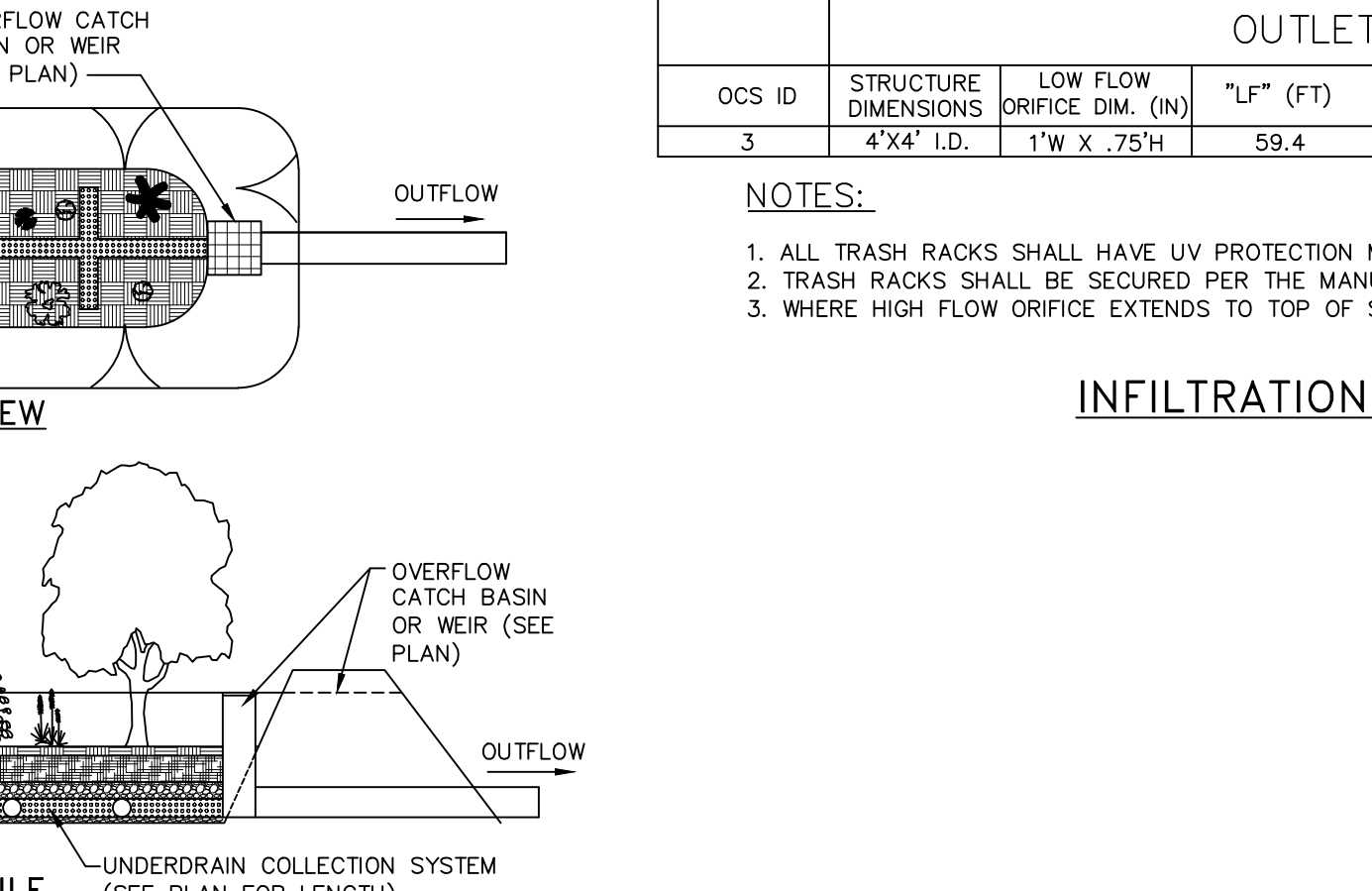
NOTES:

- HEAVY DUTY RECTANGULAR STORMWATER INLET GRATE TO BE CAMPBELL FOUNDRY MODEL 2541, OR APPROVED EQUAL.
- CATCH BASINS TO RECEIVE CURB INLETS ARE: CB 104, CB 301, CB 301A, CB 302, CB 303, CB 304, AND CB 305.



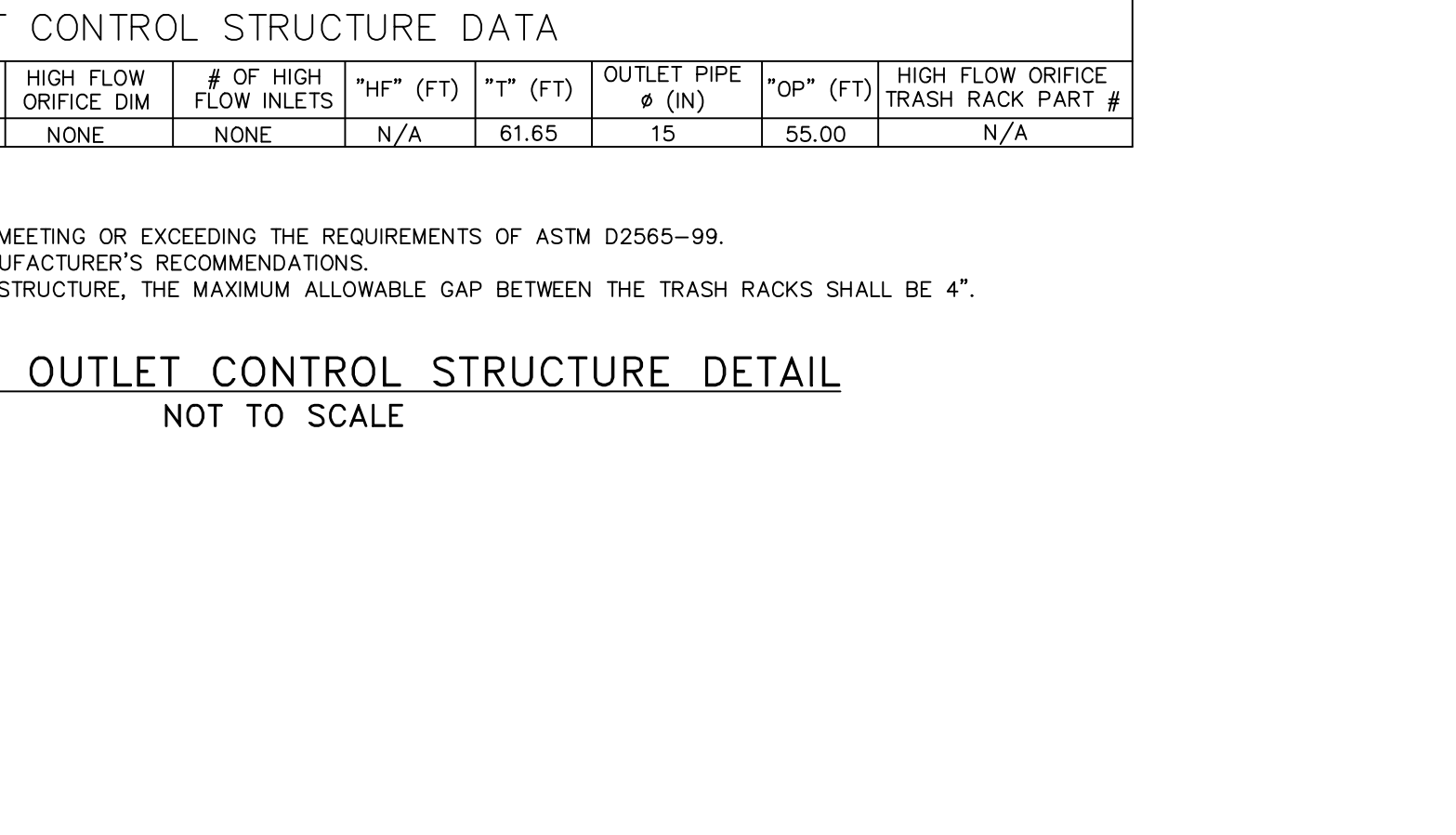
NOTES:

- NO RUNOFF IS TO ENTER THE BIORETENTION AREA UNTIL ALL CONTRIBUTING DRAINAGE AREAS HAVE BEEN STABILIZED.
- LANDSCAPING TO BE PROVIDED BY THE PROJECT LANDSCAPE ARCHITECT AND AS FOLLOWS:
 - NATIVE PLANT SPECIES SHOULD BE SPECIFIED BASED ON SPECIFIED ZONE OF HYDRIC TOLERANCE
 - SELECTIONS OF TREES WITH AN UNDERSTORY OF SHRUBS AND HERBACEOUS MATERIALS SHOULD BE PROVIDED.
 - WOODY VEGETATION SHOULD NOT BE SPECIFIED AT INFLOW LOCATIONS.
 - TREES SHOULD BE PLANTED PRIMARILY ALONG THE PERIMETER OF THE FACILITY.
 - A TREE DENSITY OF 1 TREE PER 100 SQUARE FEET IS RECOMMENDED, AND SHRUBS/HERBACEOUS VEGETATION SHOULD GENERALLY BE PLANTED AT HIGHER DENSITIES (FIVE FEET ON CENTER AND 2.5 FEET ON CENTER, RESPECTIVELY).
 - SEE PLAN FOR PRETREATMENT.



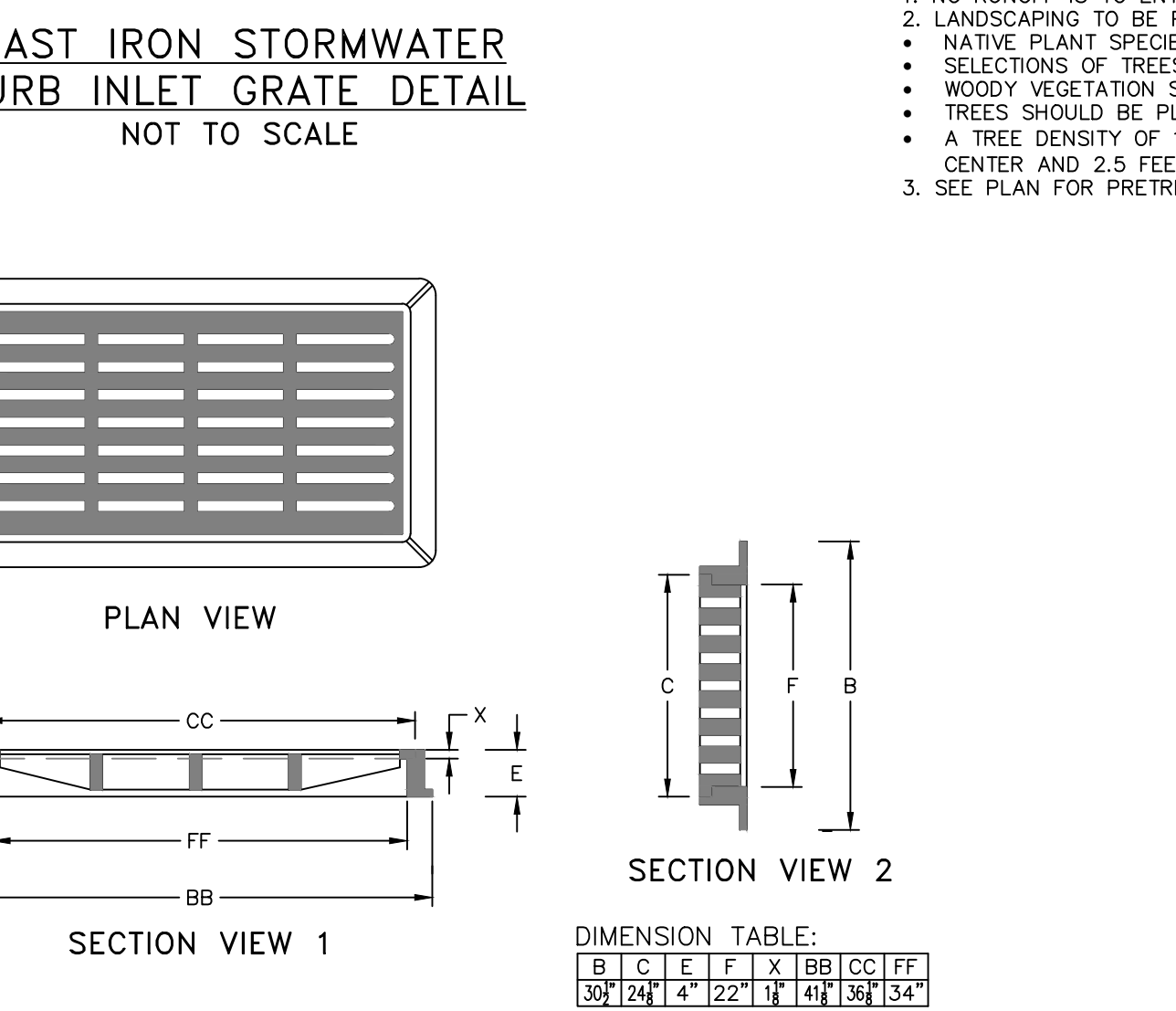
NOTES:

- ALL TRASH RACKS SHALL HAVE UV PROTECTION MEETING OR EXCEEDING THE REQUIREMENTS OF ASTM D2565-99.
- TRASH RACKS SHALL BE SECURED PER THE MANUFACTURER'S RECOMMENDATIONS.
- WHERE HIGH FLOW ORIFICE EXTENDS TO TOP OF STRUCTURE, THE MAXIMUM ALLOWABLE GAP BETWEEN THE TRASH RACKS SHALL BE 4".



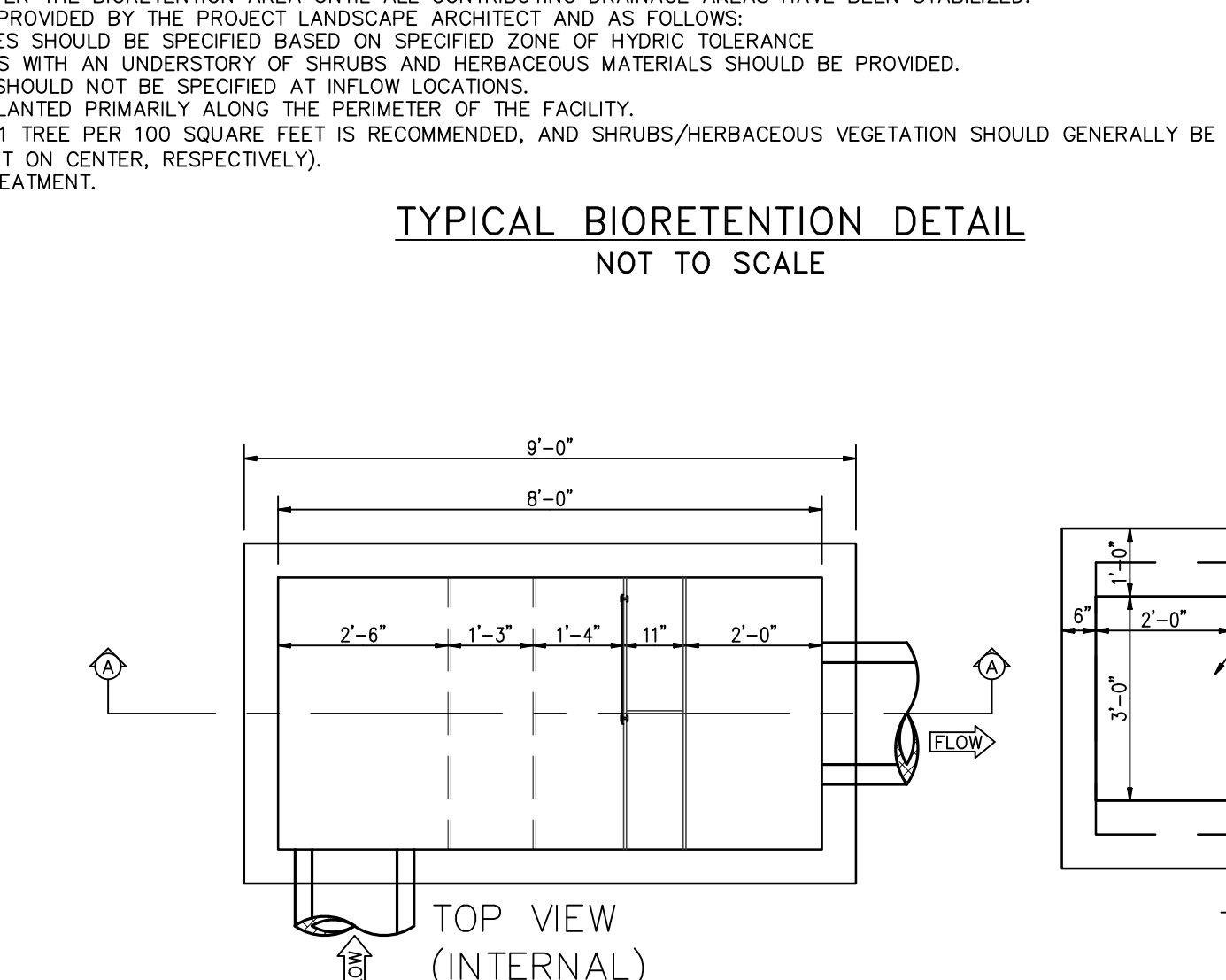
NOTES:

- 1" RIP RAP OUTLET PROTECTION SHALL BE 15' OF LIGHT STONE FILING. STONE FILING SIZE 450-6". RIVER ROCK MAY BE SUBSTITUTED FOR ANGULAR STONE.



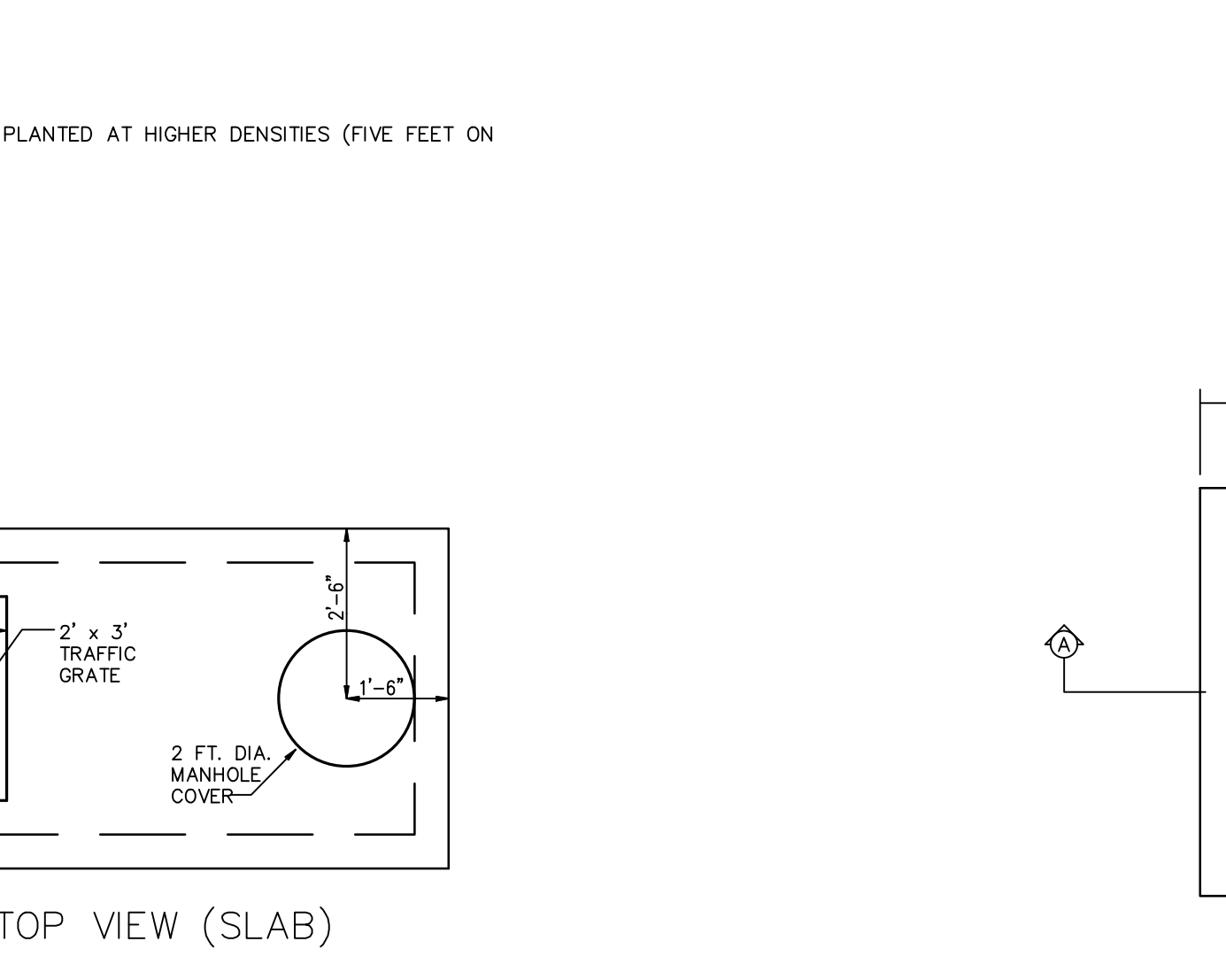
NOTES:

- HEAVY DUTY RECTANGULAR STORMWATER INLET GRATE TO BE CAMPBELL FOUNDRY MODEL 2541, OR APPROVED EQUAL.
- CATCH BASINS TO RECEIVE CURB INLETS ARE: CB 104, CB 102, CB 103, CB 202, CB 208, CB 304, AND CB 305B.
- DMH 1 AND DMH 3 RECEIVE SOLID CAST IRON COVERS.



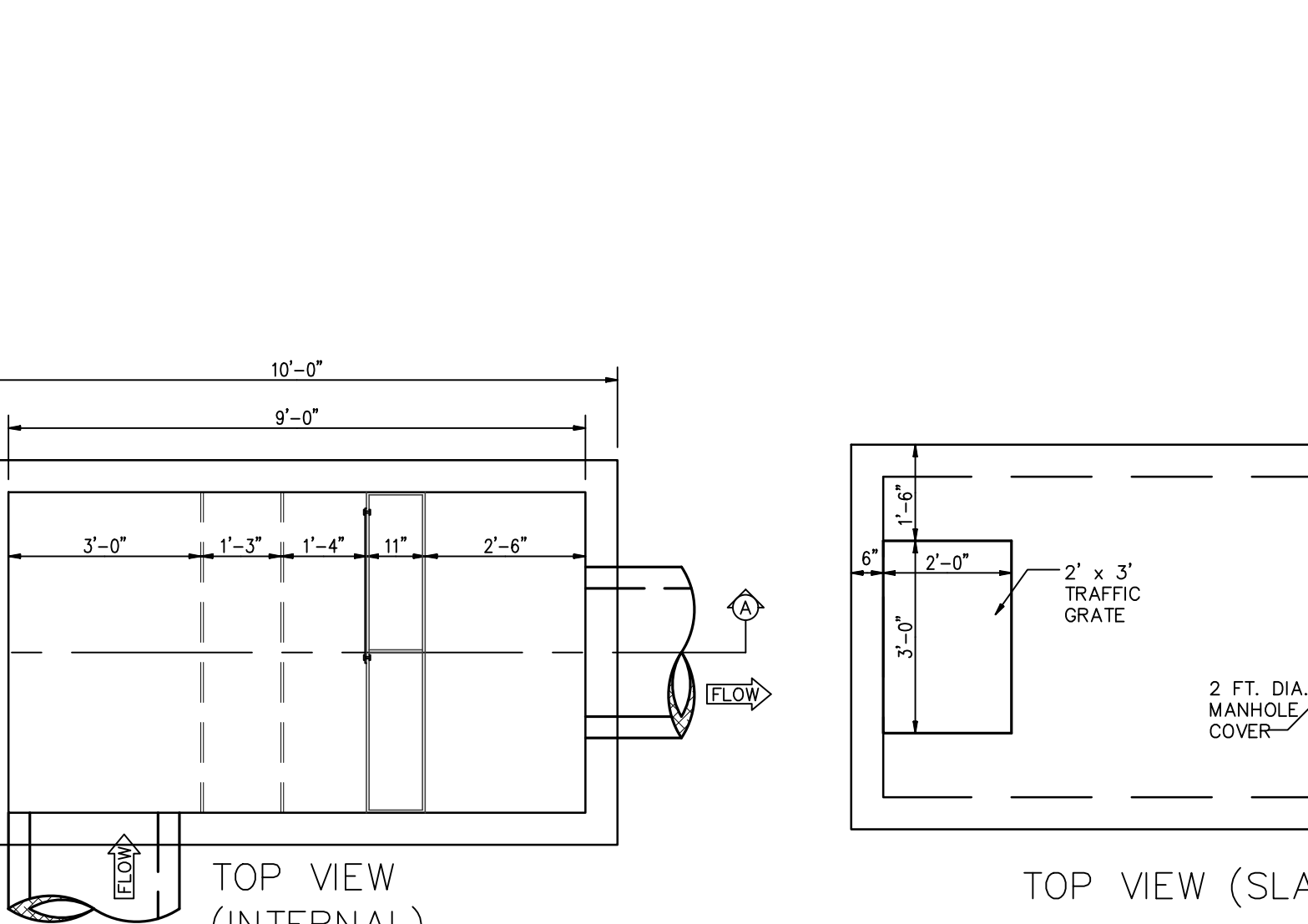
NOTES:

- NO RUNOFF IS TO ENTER THE BIORETENTION AREA UNTIL ALL CONTRIBUTING DRAINAGE AREAS HAVE BEEN STABILIZED.
- LANDSCAPING TO BE PROVIDED BY THE PROJECT LANDSCAPE ARCHITECT AND AS FOLLOWS:
 - NATIVE PLANT SPECIES SHOULD BE SPECIFIED BASED ON SPECIFIED ZONE OF HYDRIC TOLERANCE
 - SELECTIONS OF TREES WITH AN UNDERSTORY OF SHRUBS AND HERBACEOUS MATERIALS SHOULD BE PROVIDED.
 - WOODY VEGETATION SHOULD NOT BE SPECIFIED AT INFLOW LOCATIONS.
 - TREES SHOULD BE PLANTED PRIMARILY ALONG THE PERIMETER OF THE FACILITY.
 - A TREE DENSITY OF 1 TREE PER 100 SQUARE FEET IS RECOMMENDED, AND SHRUBS/HERBACEOUS VEGETATION SHOULD GENERALLY BE PLANTED AT HIGHER DENSITIES (FIVE FEET ON CENTER AND 2.5 FEET ON CENTER, RESPECTIVELY).
 - SEE PLAN FOR PRETREATMENT.



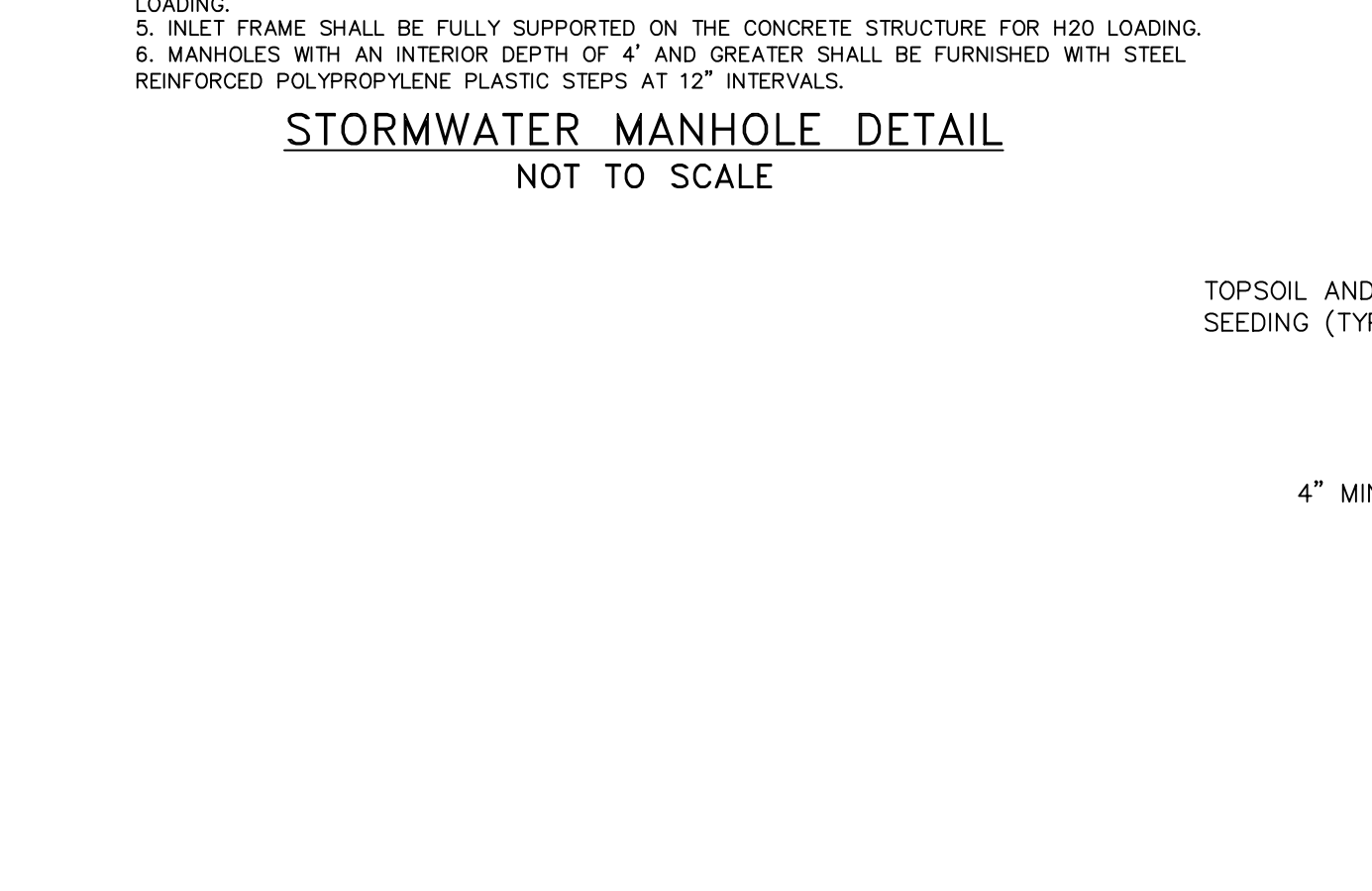
NOTES:

- ALL TRASH RACKS SHALL HAVE UV PROTECTION MEETING OR EXCEEDING THE REQUIREMENTS OF ASTM D2565-99.
- TRASH RACKS SHALL BE SECURED PER THE MANUFACTURER'S RECOMMENDATIONS.
- WHERE HIGH FLOW ORIFICE EXTENDS TO TOP OF STRUCTURE, THE MAXIMUM ALLOWABLE GAP BETWEEN THE TRASH RACKS SHALL BE 4".



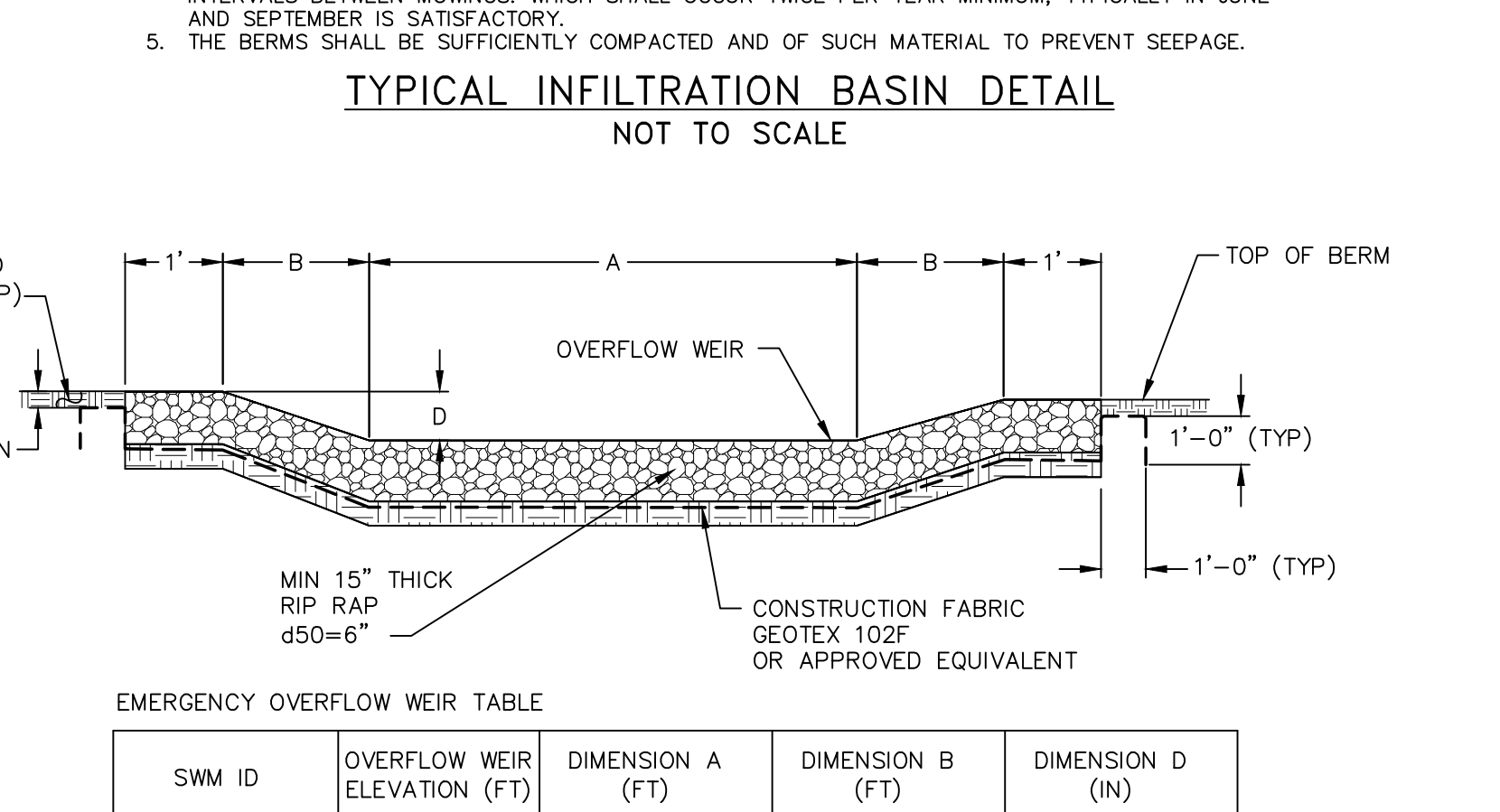
NOTES:

- 1" RIP RAP OUTLET PROTECTION SHALL BE 15' OF LIGHT STONE FILING. STONE FILING SIZE 450-6". RIVER ROCK MAY BE SUBSTITUTED FOR ANGULAR STONE.



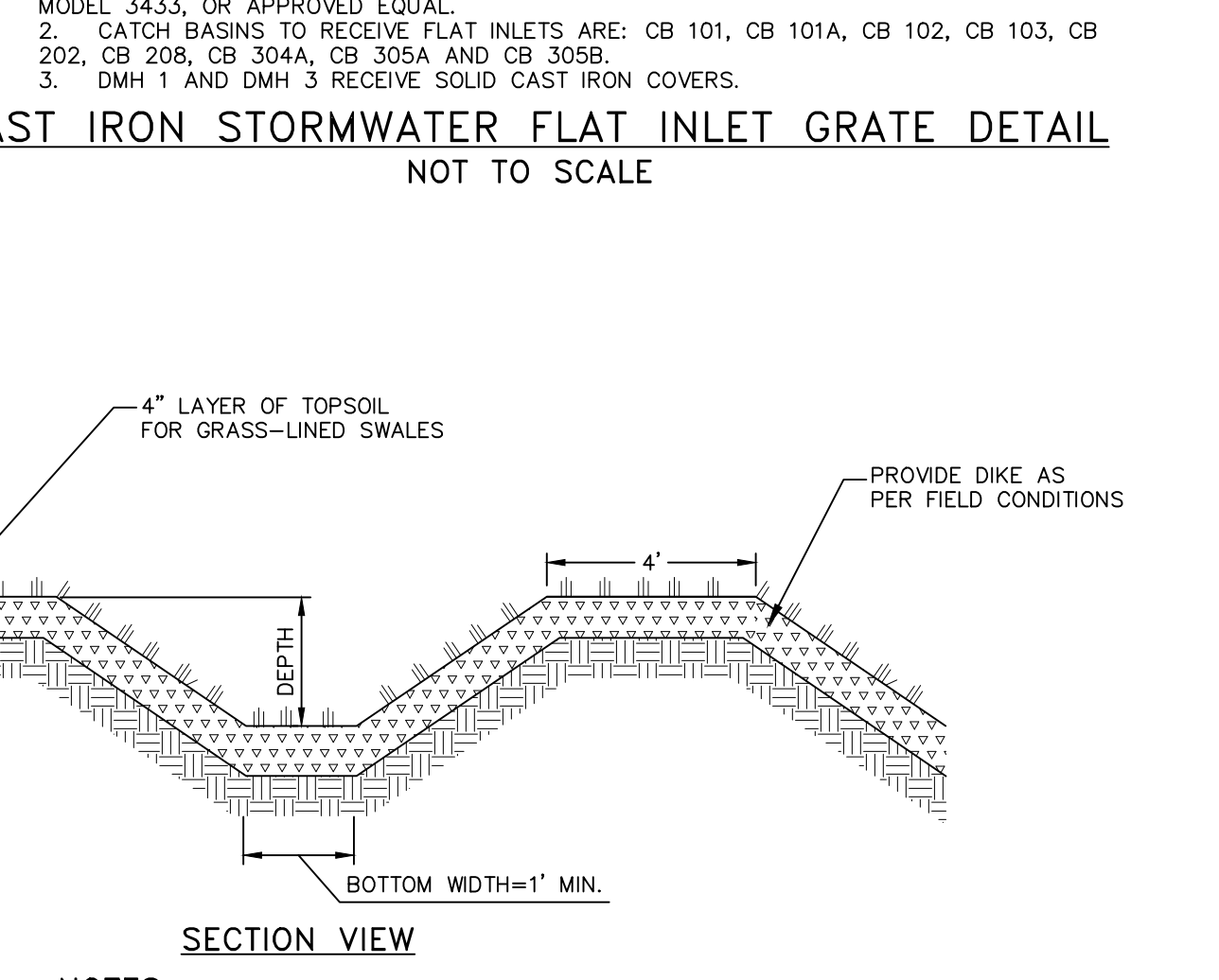
NOTES:

- PRECAST CONCRETE MANHOLE WITH CONCRETE STRENGTH OF 4000 PSI @ 28 DAYS. THE ENDS OF ALL PIPES SHALL BE CUT OFF FLUSH WITH THE INSIDE SURFACE OF THE MANHOLE AND PARALLEL AROUND.
- PIPES SHALL BE PARALLEL AROUND INTERIOR AND EXTERIOR PRIOR TO BACKFILLING OF STRUCTURE. 4. CONCRETE STRUCTURE AND CASTING SHALL BE RATED FOR H20 TRAFFIC LOADING.
- INLET FRAME SHALL BE FULLY SUPPORTED ON THE CONCRETE STRUCTURE FOR H20 LOADING.
- MANHOLES WITH AN INTERIOR DEPTH OF 4' AND GREATER SHALL BE FURNISHED WITH STEEL REINFORCED POLYPROPYLENE PLASTIC STEPS AT 12" INTERVALS.



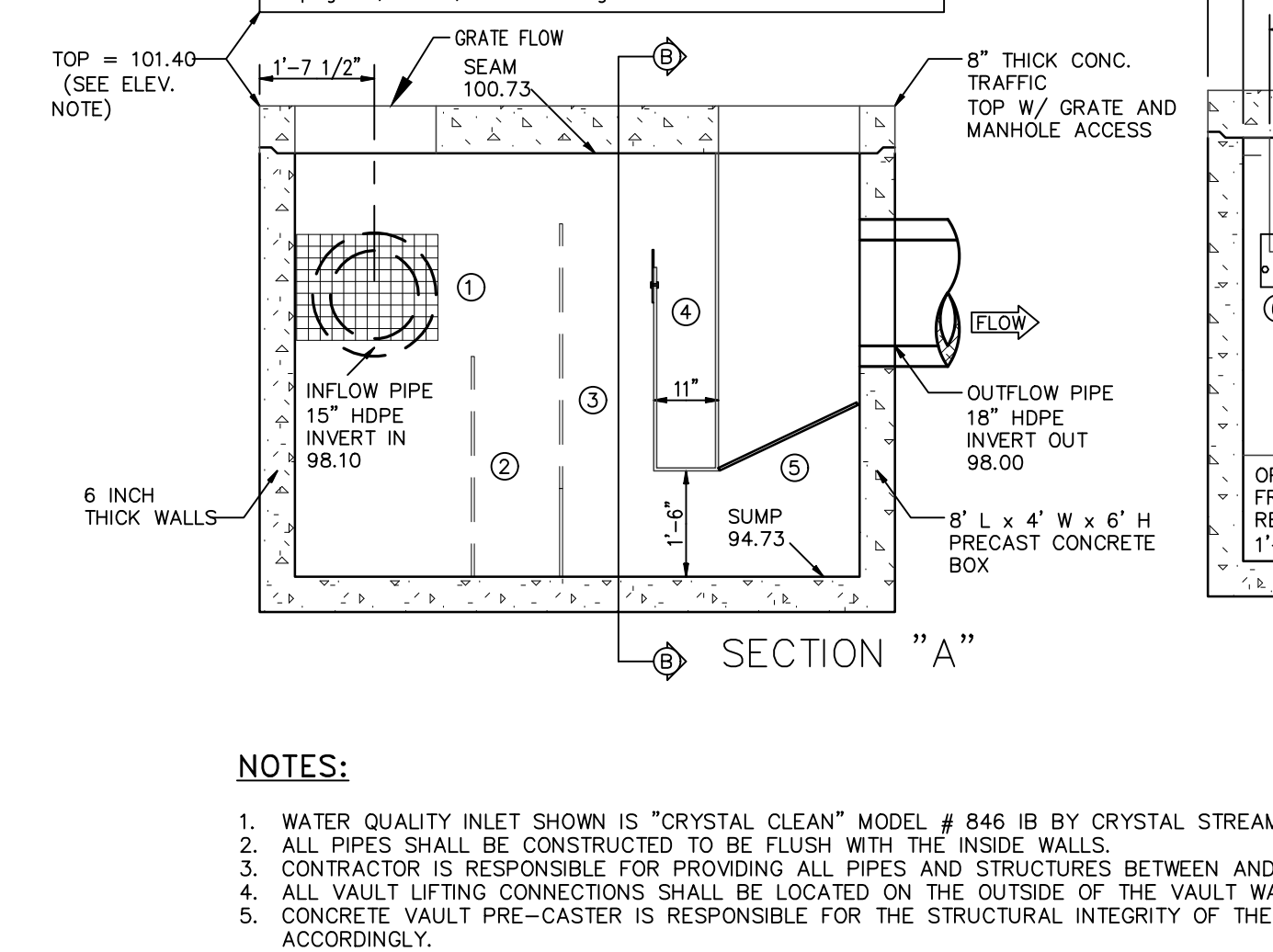
NOTES:

- THE INFILTRATION BASIN SHALL NOT SERVE AS A SEDIMENT TRAP DURING CONSTRUCTION AND SHALL BE PROTECTED FROM CONSTRUCTION ACTIVITY.
- RELATIVELY LIGHT TRACKED EQUIPMENT IS RECOMMENDED FOR CONSTRUCTION PURPOSES TO AVOID COMPACTION OF THE BASIN FLOOR.
- A HIGHLY PERVIOUS SURFACE TEXTURE SHALL BE RETAINED ALONG THE BASIN FLOOR TO PREVENT EROSION AND SLOPING AND TO PROVIDE A NATURAL MEANS OF MAINTAINING A RELATIVELY HIGH INFILTRATION RATES.
- ERASERS OF THE FESCUE FAMILY (ALTA FESCUE, WESTERN FESCUE OR RED FESCUE) ARE SPECIFIED ON THIS PLAN PRIMARILY DUE TO THEIR ADAPTABILITY TO DRY SANDY SOILS, DROUGHT RESISTANCE, HARDNESS, AND ABILITY TO WITHSTAND BREEZING BURNATIONS. FESCUE WILL ALSO ALLOW FOR LONG INTERVALS BETWEEN MOWINGS, WHICH SHALL OCCUR TWICE PER YEAR MINIMUM, TYPICALLY IN JUNE AND SEPTEMBER IS SATISFACTORY.
- THE BERMS SHALL BE SUFFICIENTLY COMPACTED AND OF SUCH MATERIAL TO PREVENT SEEPAGE.



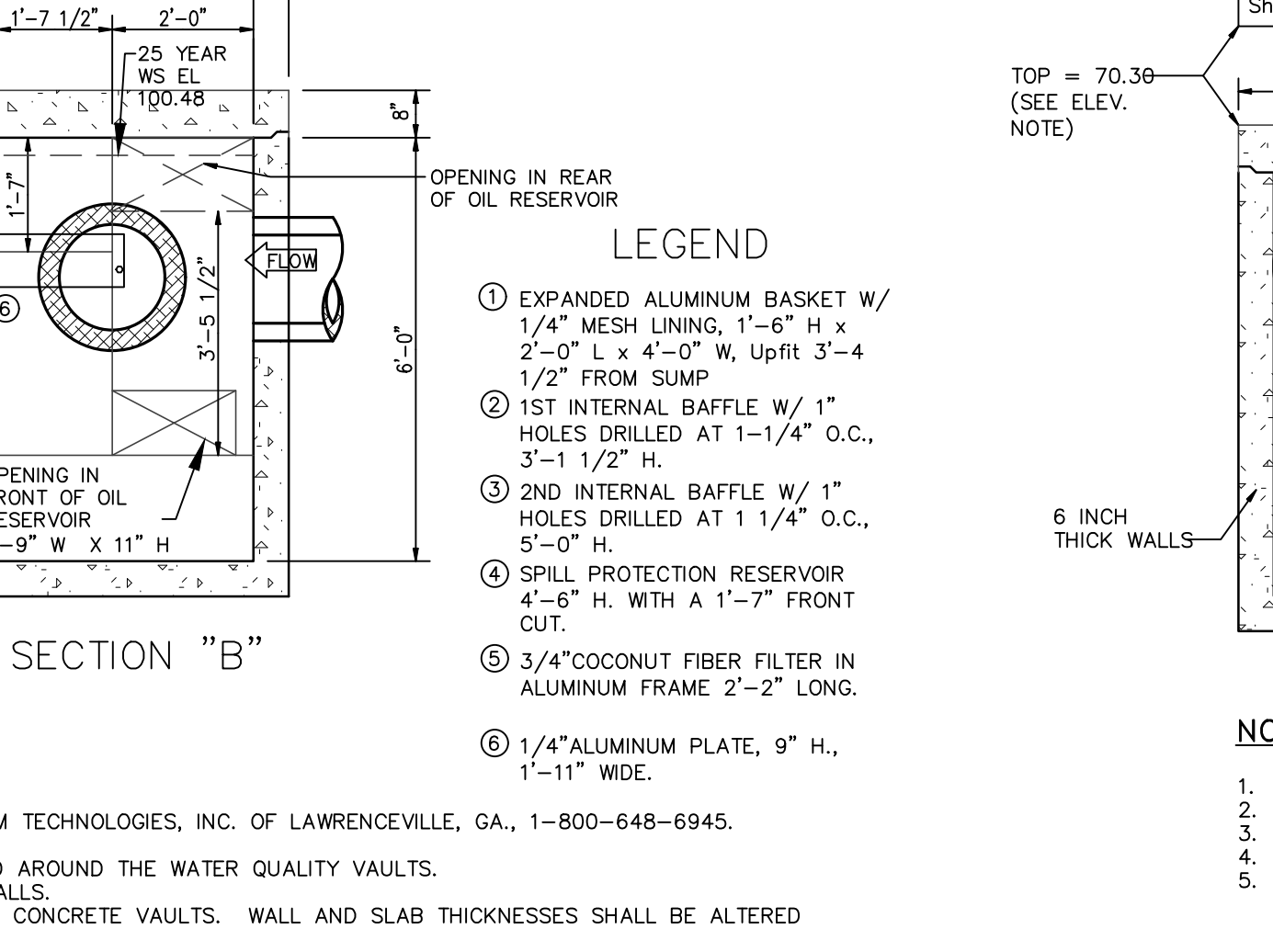
NOTES:

- HEAVY DUTY RECTANGULAR STORMWATER INLET GRATE TO BE CAMPBELL FOUNDRY MODEL 2541, OR APPROVED EQUAL.
- CATCH BASINS TO RECEIVE CURB INLETS ARE: CB 104, CB 102, CB 103, CB 202, CB 208, CB 304, AND CB 305B.
- DMH 1 AND DMH 3 RECEIVE SOLID CAST IRON COVERS.



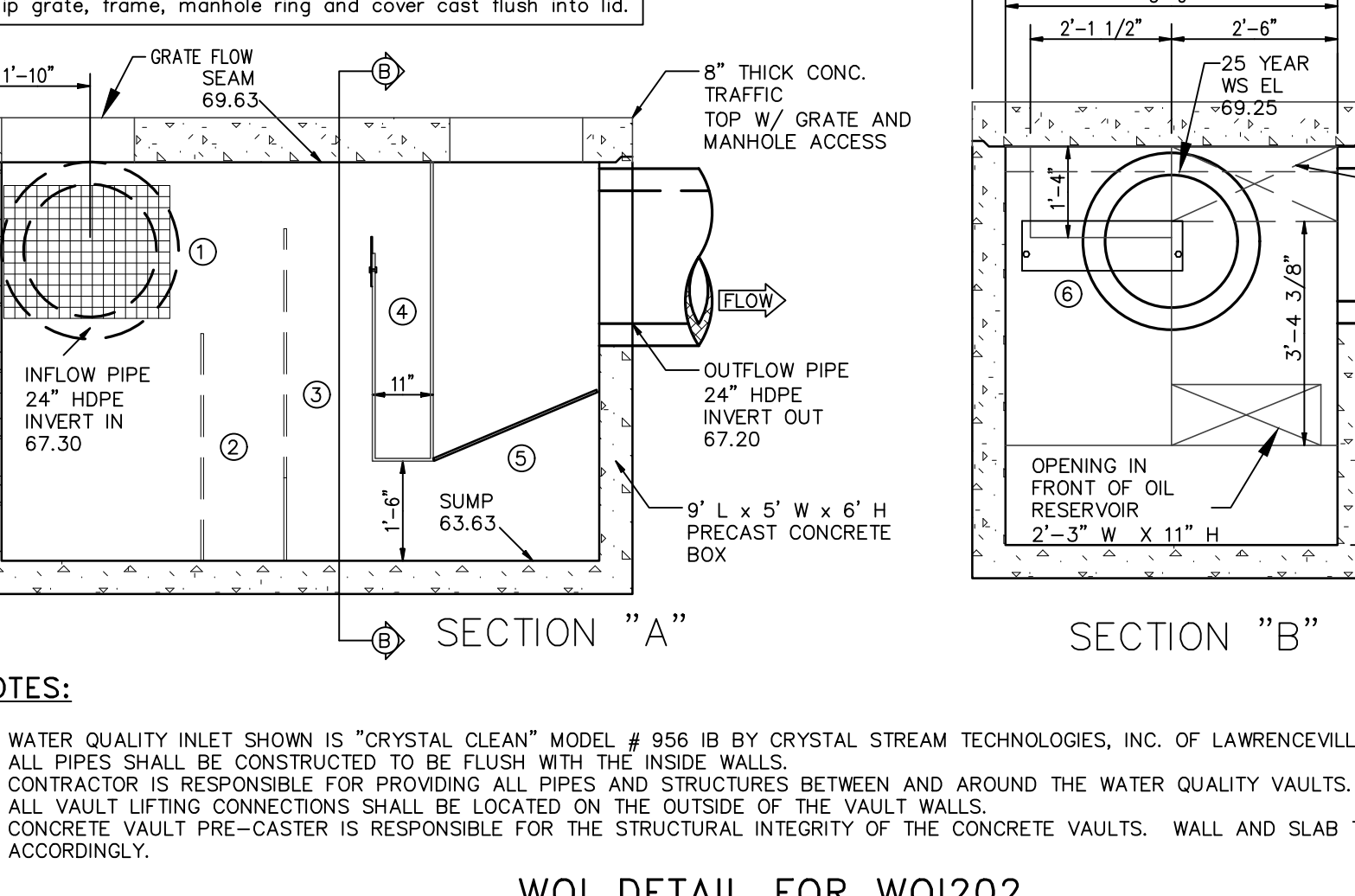
NOTES:

- NO RUNOFF IS TO ENTER THE BIORETENTION AREA UNTIL ALL CONTRIBUTING DRAINAGE AREAS HAVE BEEN STABILIZED.
- LANDSCAPING TO BE PROVIDED BY THE PROJECT LANDSCAPE ARCHITECT AND AS FOLLOWS:
 - NATIVE PLANT SPECIES SHOULD BE SPECIFIED BASED ON SPECIFIED ZONE OF HYDRIC TOLERANCE
 - SELECTIONS OF TREES WITH AN UNDERSTORY OF SHRUBS AND HERBACEOUS MATERIALS SHOULD BE PROVIDED.
 - WOODY VEGETATION SHOULD NOT BE SPECIFIED AT INFLOW LOCATIONS.
 - TREES SHOULD BE PLANTED PRIMARILY ALONG THE PERIMETER OF THE FACILITY.
 - A TREE DENSITY OF 1 TREE PER 100 SQUARE FEET IS RECOMMENDED, AND SHRUBS/HERBACEOUS VEGETATION SHOULD GENERALLY BE PLANTED AT HIGHER DENSITIES (FIVE FEET ON CENTER AND 2.5 FEET ON CENTER, RESPECTIVELY).
 - SEE PLAN FOR PRETREATMENT.



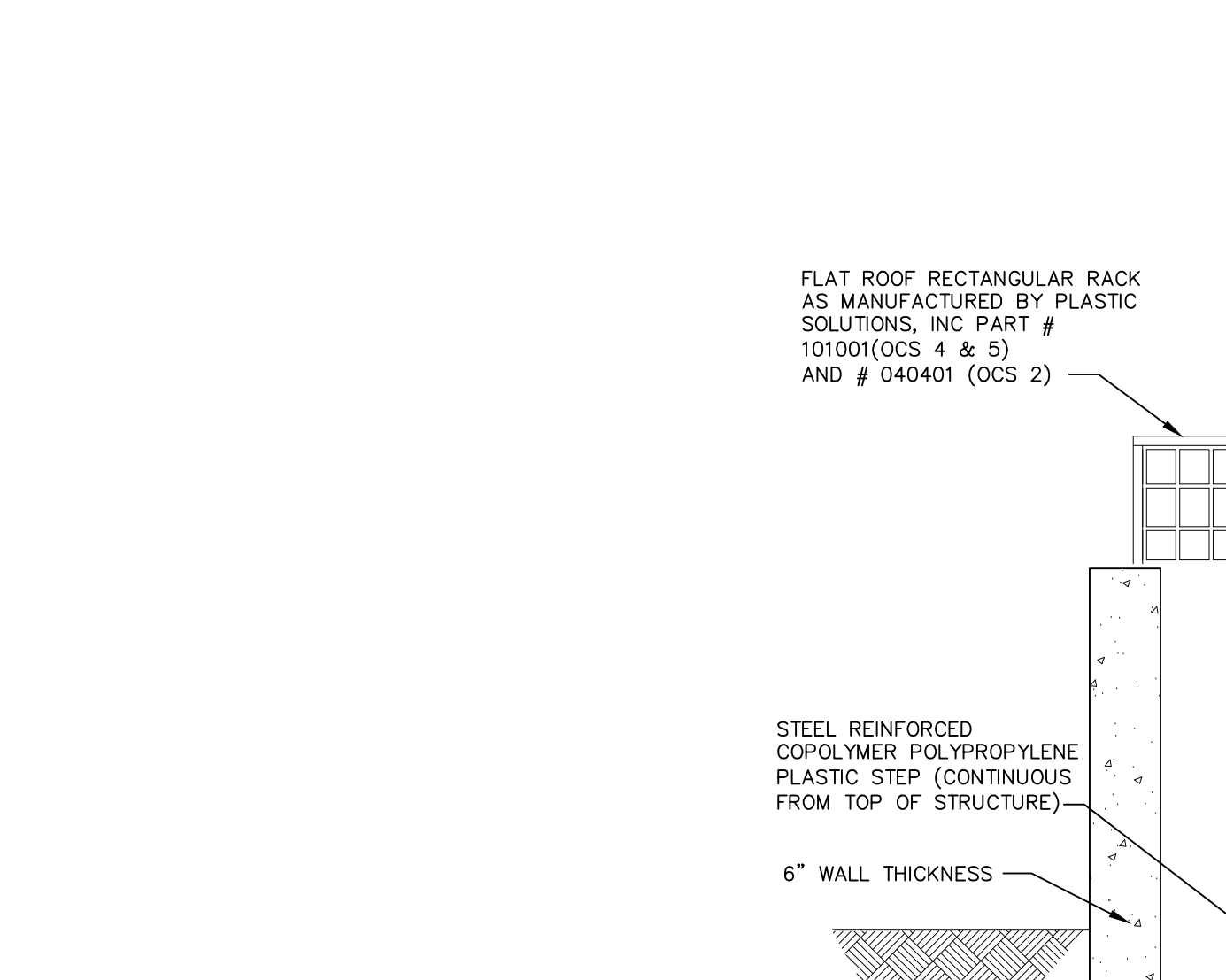
NOTES:

- ALL TRASH RACKS SHALL HAVE UV PROTECTION MEETING OR EXCEEDING THE REQUIREMENTS OF ASTM D2565-99.
- TRASH RACKS SHALL BE SECURED PER THE MANUFACTURER'S RECOMMENDATIONS.
- WHERE HIGH FLOW ORIFICE EXTENDS TO TOP OF STRUCTURE, THE MAXIMUM ALLOWABLE GAP BETWEEN THE TRASH RACKS SHALL BE 4".



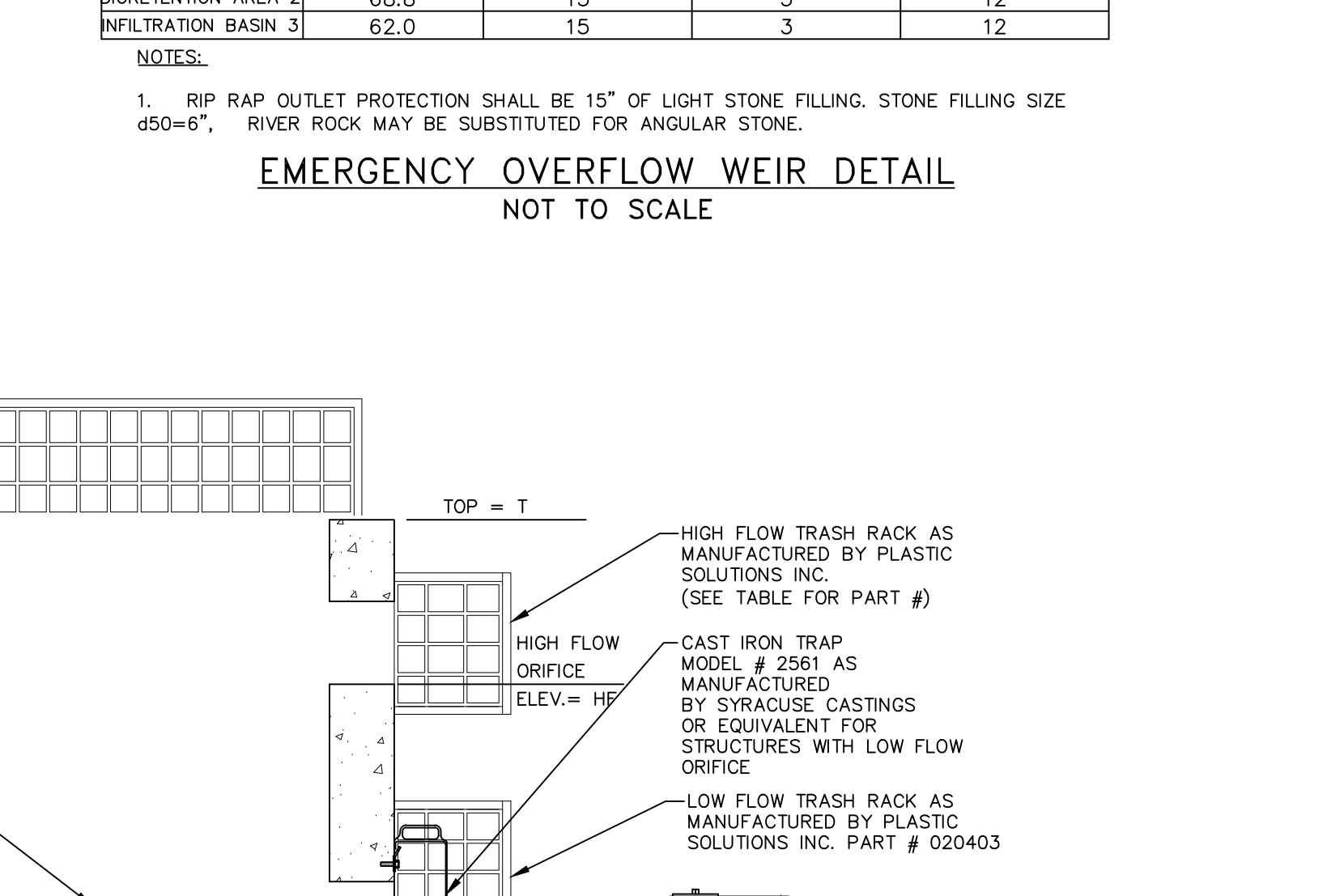
NOTES:

- 1" RIP RAP OUTLET PROTECTION SHALL BE 15' OF LIGHT STONE FILING. STONE FILING SIZE 450-6". RIVER ROCK MAY BE SUBSTITUTED FOR ANGULAR STONE.



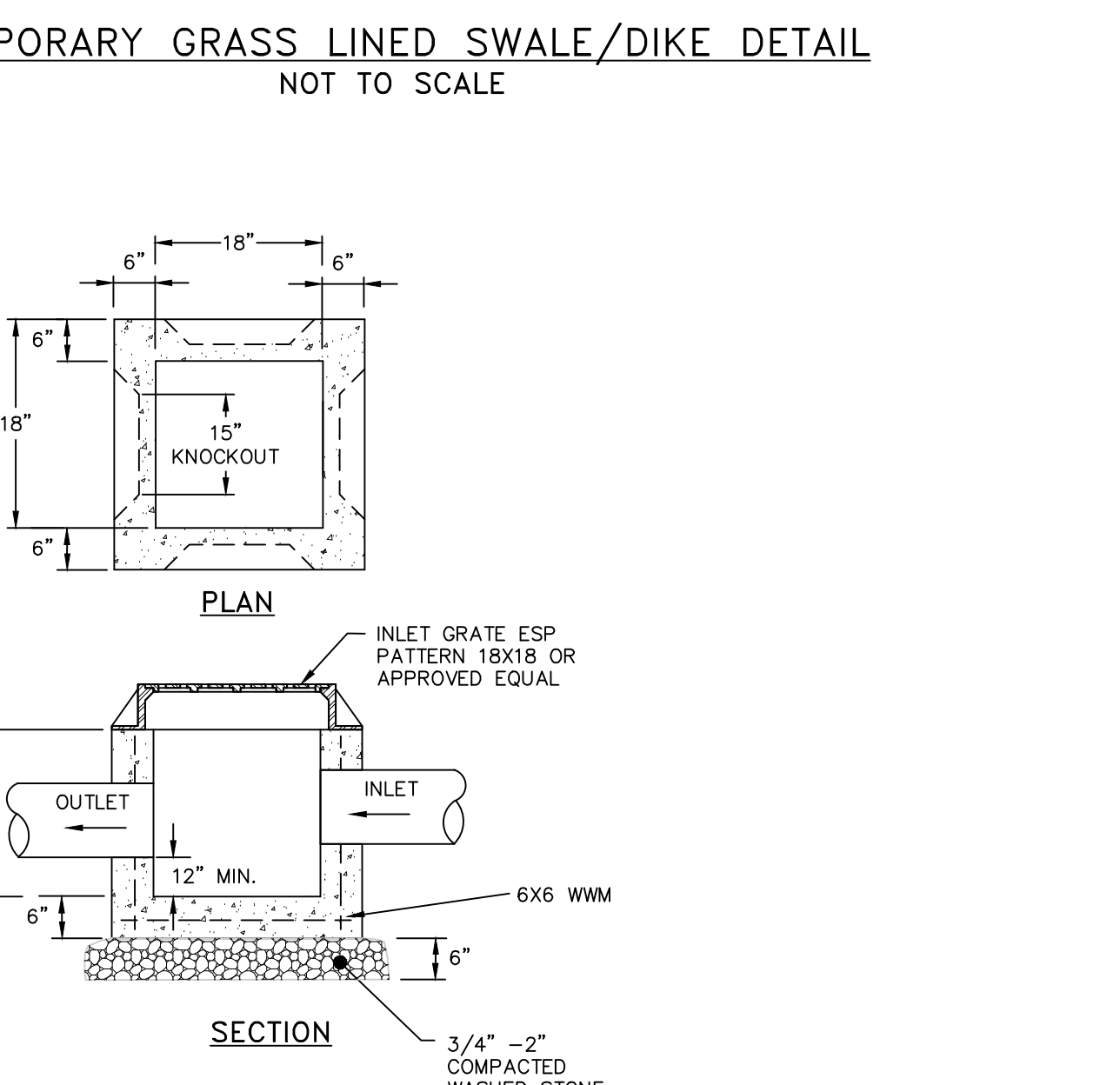
NOTES:

- PRECAST CONCRETE MANHOLE WITH CONCRETE STRENGTH OF 4000 PSI @ 28 DAYS. THE ENDS OF ALL PIPES SHALL BE CUT OFF FLUSH WITH THE INSIDE SURFACE OF THE MANHOLE AND PARALLEL AROUND.
- PIPES SHALL BE PARALLEL AROUND INTERIOR AND EXTERIOR PRIOR TO BACKFILLING OF STRUCTURE. 4. CONCRETE STRUCTURE AND CASTING SHALL BE RATED FOR H20 TRAFFIC LOADING.
- INLET FRAME SHALL BE FULLY SUPPORTED ON THE CONCRETE STRUCTURE FOR H20 LOADING.
- MANHOLES WITH AN INTERIOR DEPTH OF 4' AND GREATER SHALL BE FURNISHED WITH STEEL REINFORCED POLYPROPYLENE PLASTIC STEPS AT 12" INTERVALS.



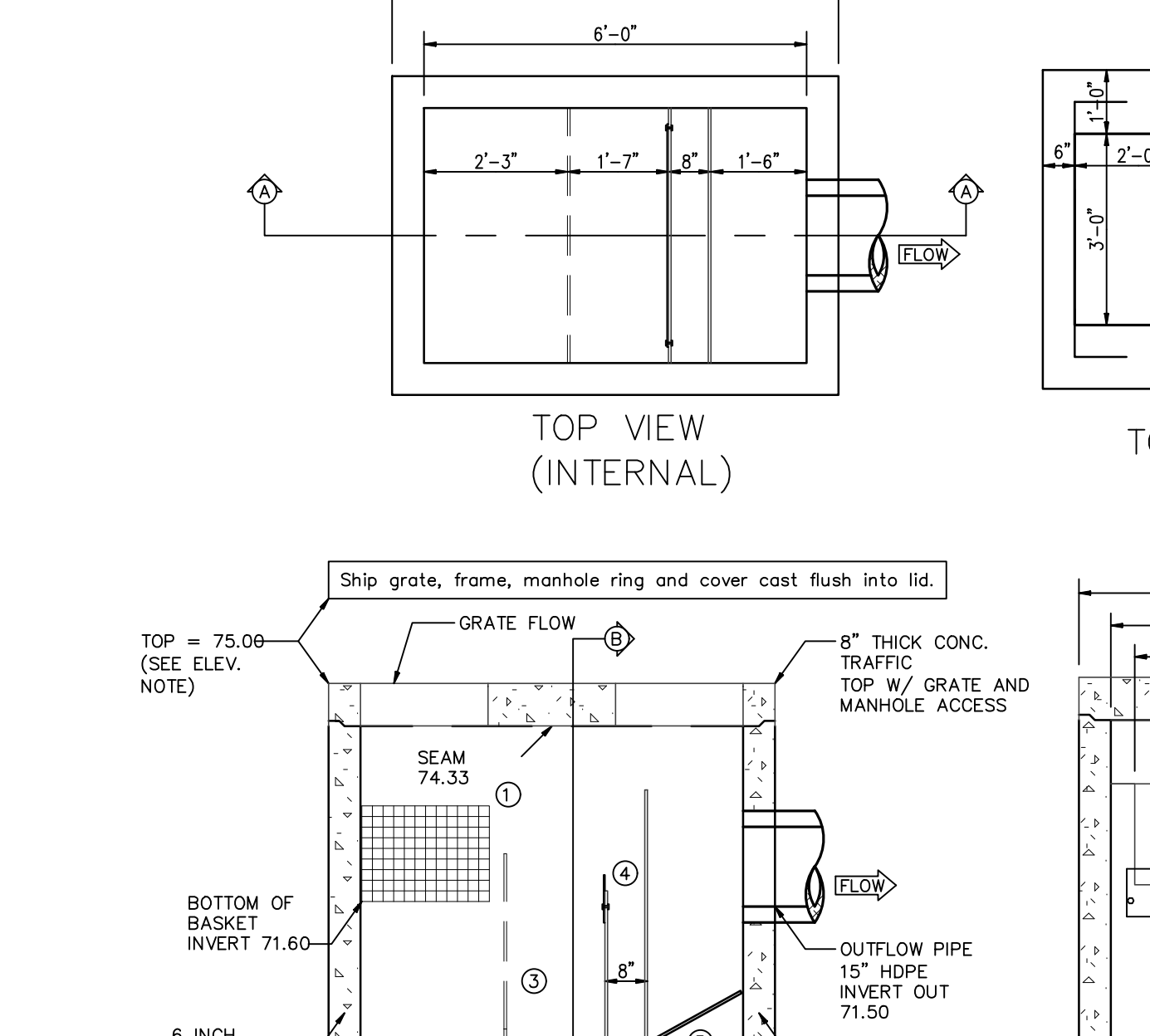
NOTES:

- THE INFILTRATION BASIN SHALL NOT SERVE AS A SEDIMENT TRAP DURING CONSTRUCTION AND SHALL BE PROTECTED FROM CONSTRUCTION ACTIVITY.
- RELATIVELY LIGHT TRACKED EQUIPMENT IS RECOMMENDED FOR CONSTRUCTION PURPOSES TO AVOID COMPACTION OF THE BASIN FLOOR.
- A HIGHLY PERVIOUS SURFACE TEXTURE SHALL BE RETAINED ALONG THE BASIN FLOOR TO PREVENT EROSION AND SLOPING AND TO PROVIDE A NATURAL MEANS OF MAINTAINING A RELATIVELY HIGH INFILTRATION RATES.
- ERASERS OF THE FESCUE FAMILY (ALTA FESCUE, WESTERN FESCUE OR RED FESCUE) ARE SPECIFIED ON THIS PLAN PRIMARILY DUE TO THEIR ADAPTABILITY TO DRY SANDY SOILS, DROUGHT RESISTANCE, HARDNESS, AND ABILITY TO WITHSTAND BREEZING BURNATIONS. FESCUE WILL ALSO ALLOW FOR LONG INTERVALS BETWEEN MOWINGS, WHICH SHALL OCCUR TWICE PER YEAR MINIMUM, TYPICALLY IN JUNE AND SEPTEMBER IS SATISFACTORY.
- THE BERMS SHALL BE SUFFICIENTLY COMPACTED AND OF SUCH MATERIAL TO PREVENT SEEPAGE.



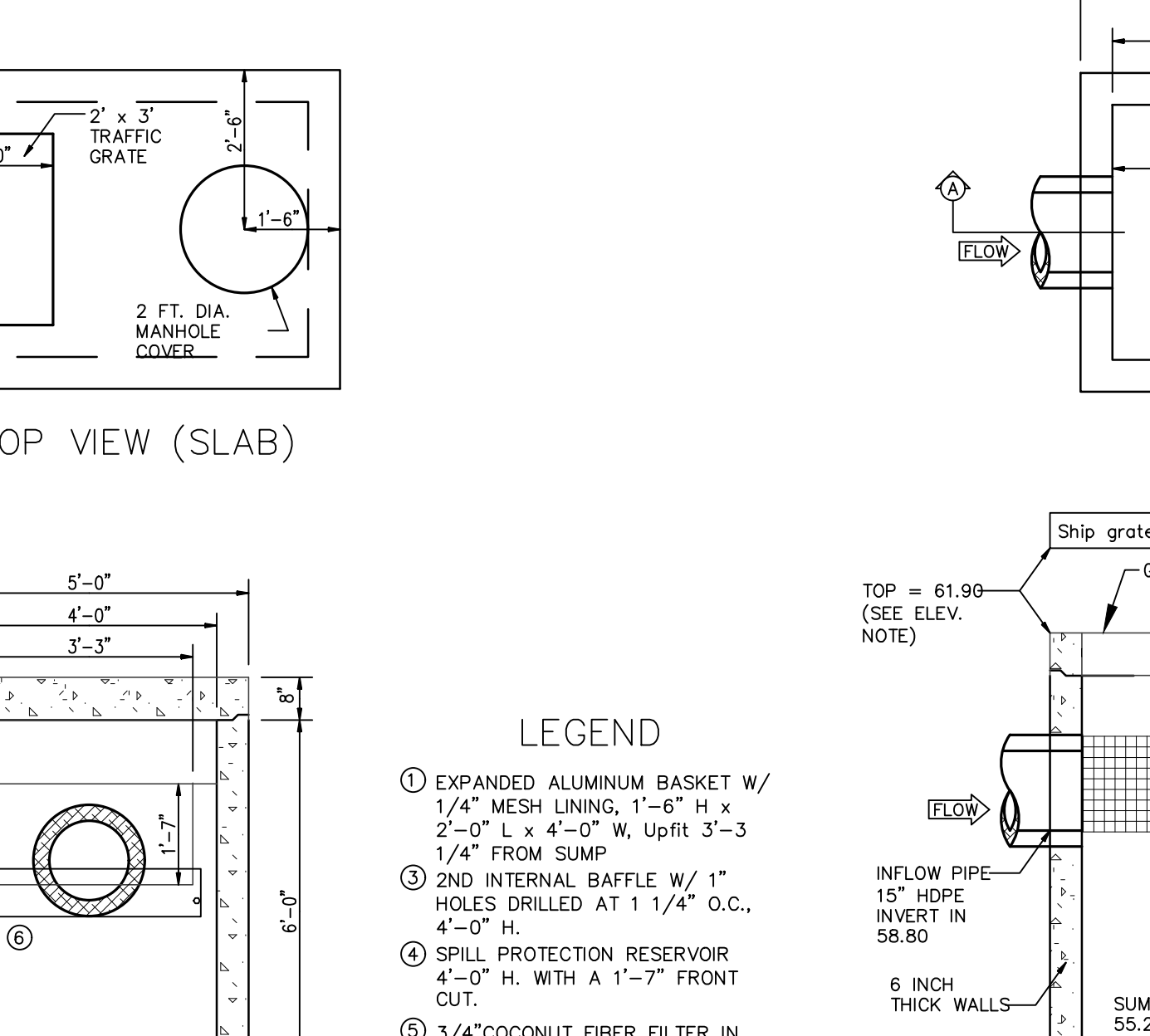
NOTES:

- MINIMUM 1' DEPTH AND 1' WIDTH FOR ALL SWALES.
- SWALE SHALL BE SEEDED WITH FAST GERMINATING RYE 15 TO 25 POUNDS PER 1000 SQUARE FEET AND MULCHED.



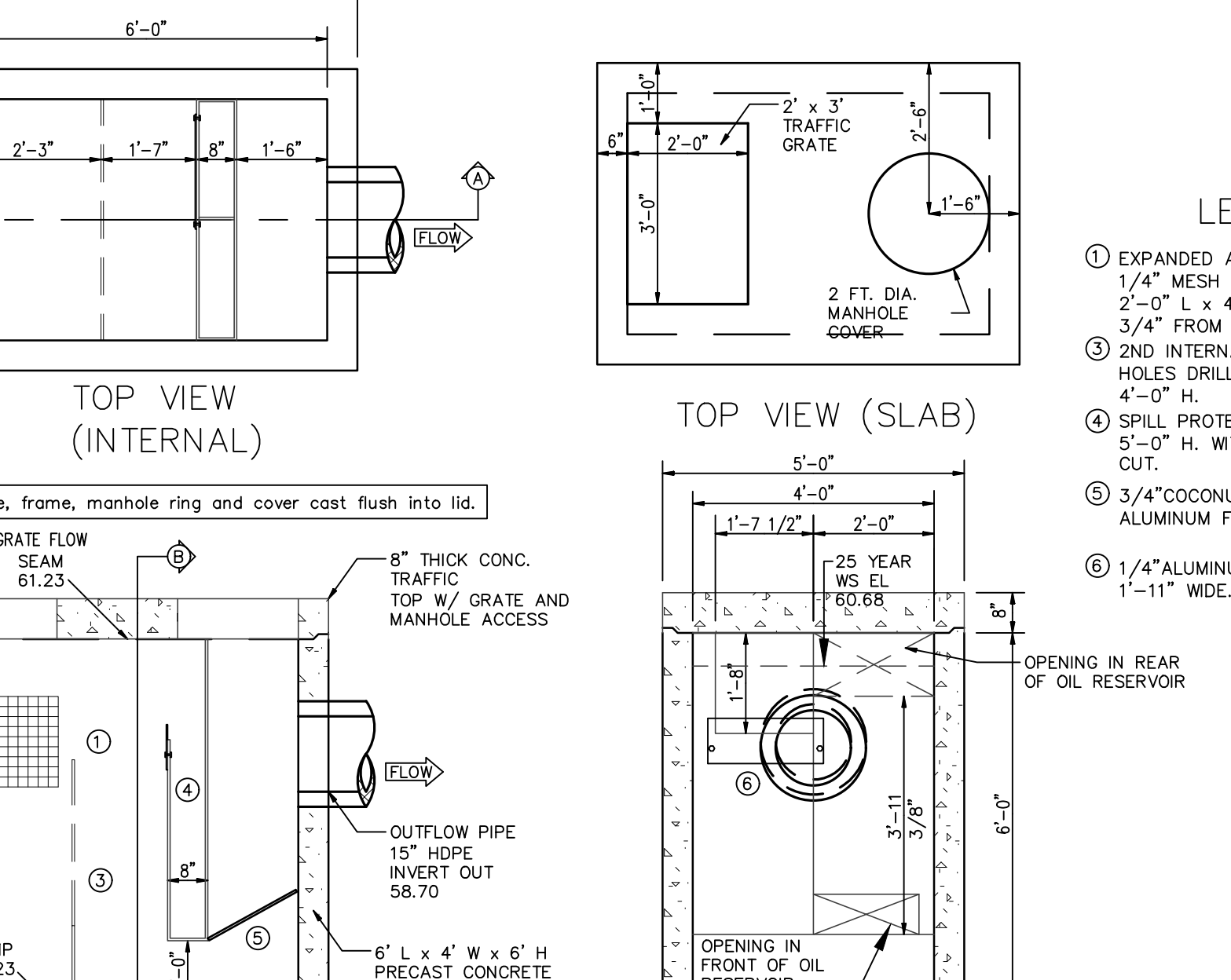
NOTES:

- NO RUNOFF IS TO ENTER THE BIORETENTION AREA UNTIL ALL CONTRIBUTING DRAINAGE AREAS HAVE BEEN STABILIZED.
- LANDSCAPING TO BE PROVIDED BY THE PROJECT LANDSCAPE ARCHITECT AND AS FOLLOWS:
 - NATIVE PLANT SPECIES SHOULD BE SPECIFIED BASED ON SPECIFIED ZONE OF HYDRIC TOLERANCE
 - SELECTIONS OF TREES WITH AN UNDERSTORY OF SHRUBS AND HERBACEOUS MATERIALS SHOULD BE PROVIDED.
 - WOODY VEGETATION SHOULD NOT BE SPECIFIED AT INFLOW LOCATIONS.
 - TREES SHOULD BE PLANTED PRIMARILY ALONG THE PERIMETER OF THE FACILITY.
 - A TREE DENSITY OF 1 TREE PER 100 SQUARE FEET IS RECOMMENDED, AND SHRUBS/HERBACEOUS VEGETATION SHOULD GENERALLY BE PLANTED AT HIGHER DENSITIES (FIVE FEET ON CENTER AND 2.5 FEET ON CENTER, RESPECTIVELY).
 - SEE PLAN FOR PRETREATMENT.



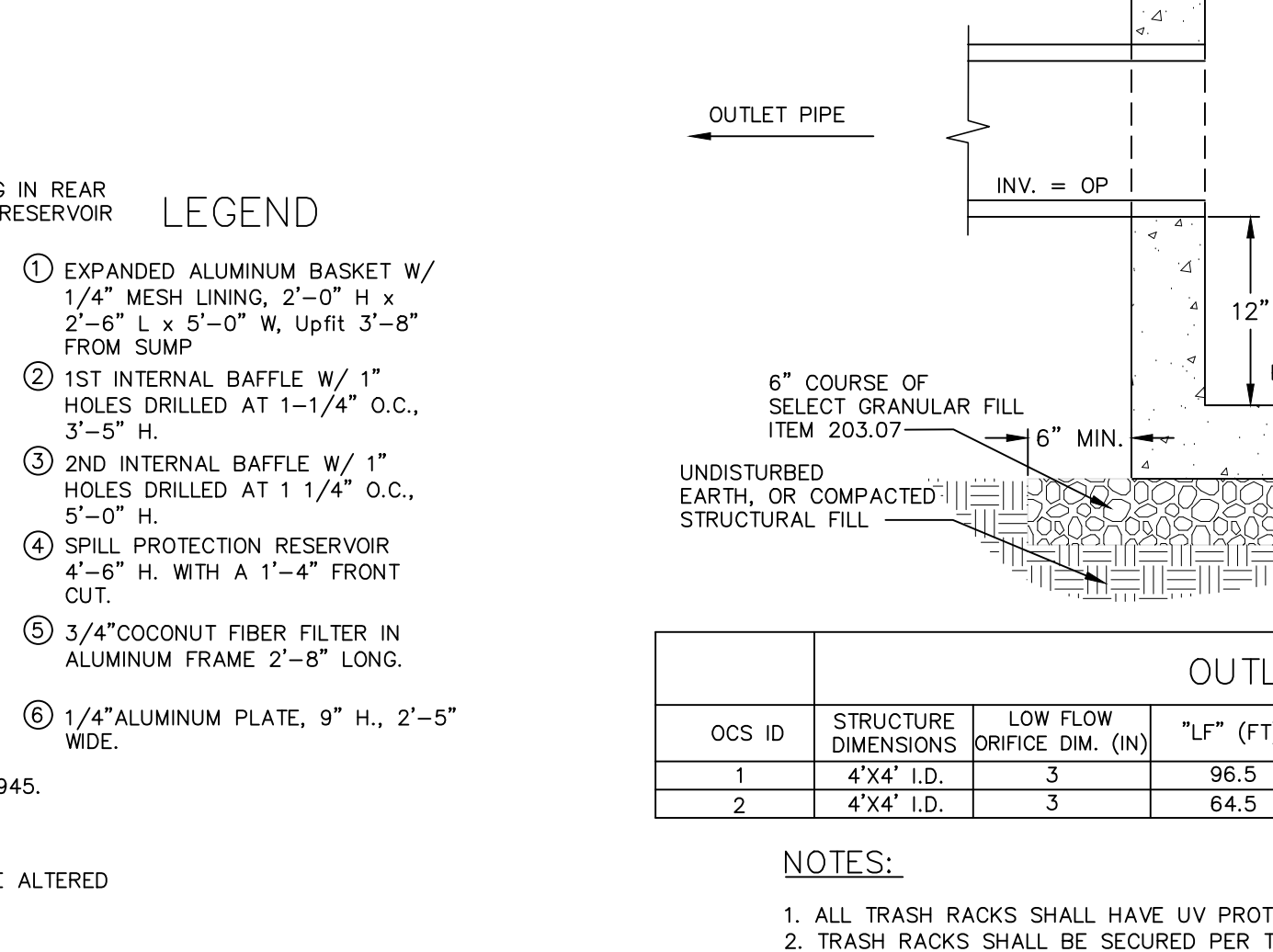
NOTES:

- ALL TRASH RACKS SHALL HAVE UV PROTECTION MEETING OR EXCEEDING THE REQUIREMENTS OF ASTM D2565-99.
- TRASH RACKS SHALL BE SECURED PER THE MANUFACTURER'S RECOMMENDATIONS.
- WHERE HIGH FLOW ORIFICE EXTENDS TO TOP OF STRUCTURE, THE MAXIMUM ALLOWABLE GAP BETWEEN THE TRASH RACKS SHALL BE 4".



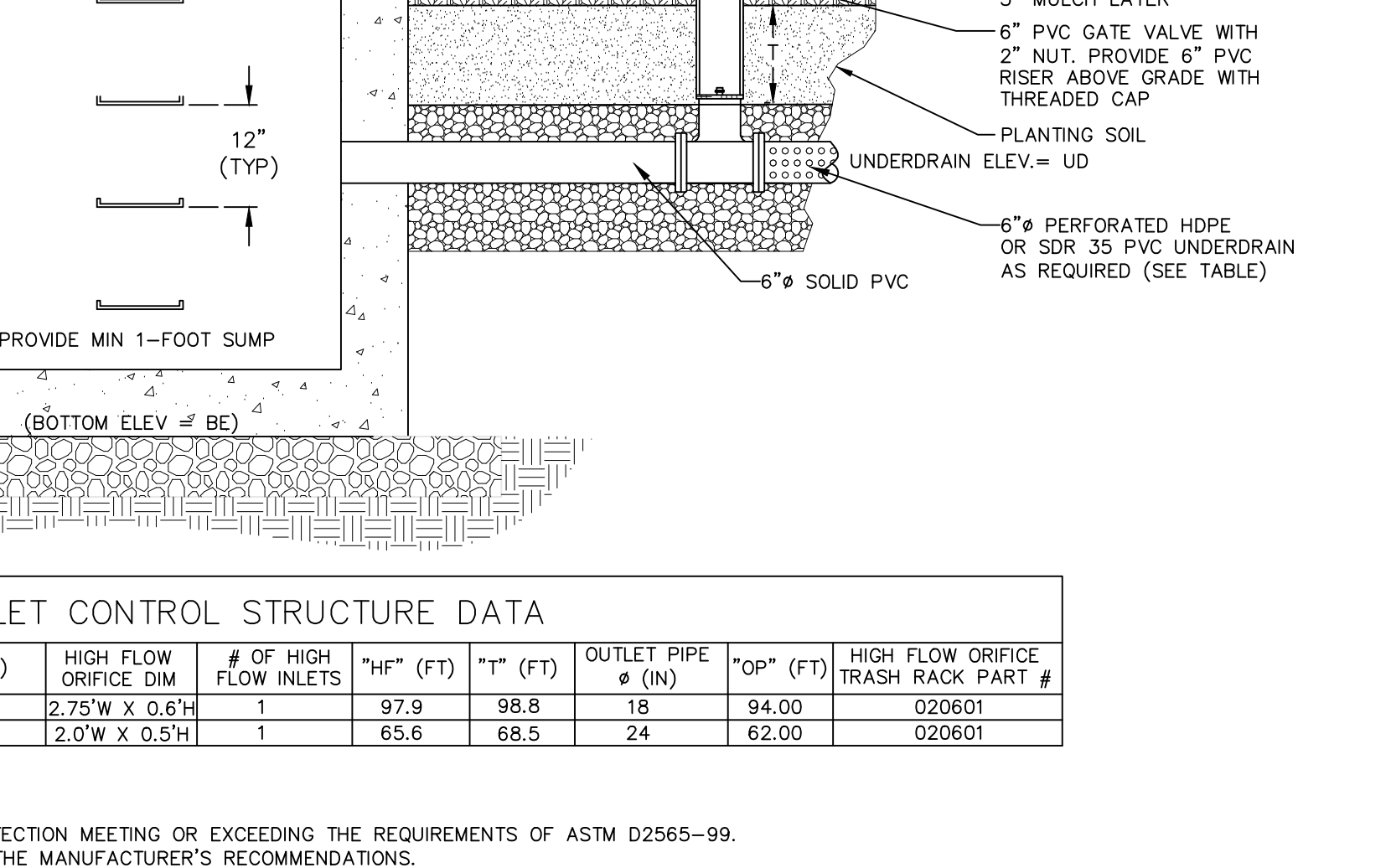
NOTES:

- 1" RIP RAP OUTLET PROTECTION SHALL BE 15' OF LIGHT STONE FILING. STONE FILING SIZE 450-6". RIVER ROCK MAY BE SUBSTITUTED FOR ANGULAR STONE.



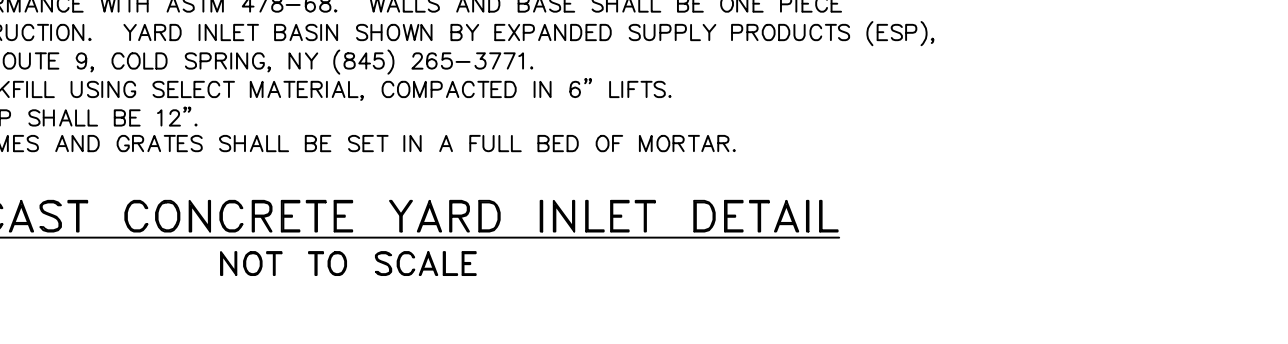
NOTES:

- PRECAST CONCRETE MANHOLE WITH CONCRETE STRENGTH OF 4000 PSI @ 28 DAYS. THE ENDS OF ALL PIPES SHALL BE CUT OFF FLUSH WITH THE INSIDE SURFACE OF THE MANHOLE AND PARALLEL AROUND.
- PIPES SHALL BE PARALLEL AROUND INTERIOR AND EXTERIOR PRIOR TO BACKFILLING OF STRUCTURE. 4. CONCRETE STRUCTURE AND CASTING SHALL BE RATED FOR H20 TRAFFIC LOADING.
- INLET FRAME SHALL BE FULLY SUPPORTED ON THE CONCRETE STRUCTURE FOR H20 LOADING.
- MANHOLES WITH AN INTERIOR DEPTH OF 4' AND GREATER SHALL BE FURNISHED WITH STEEL REINFORCED POLYPROPYLENE PLASTIC STEPS AT 12" INTERVALS.



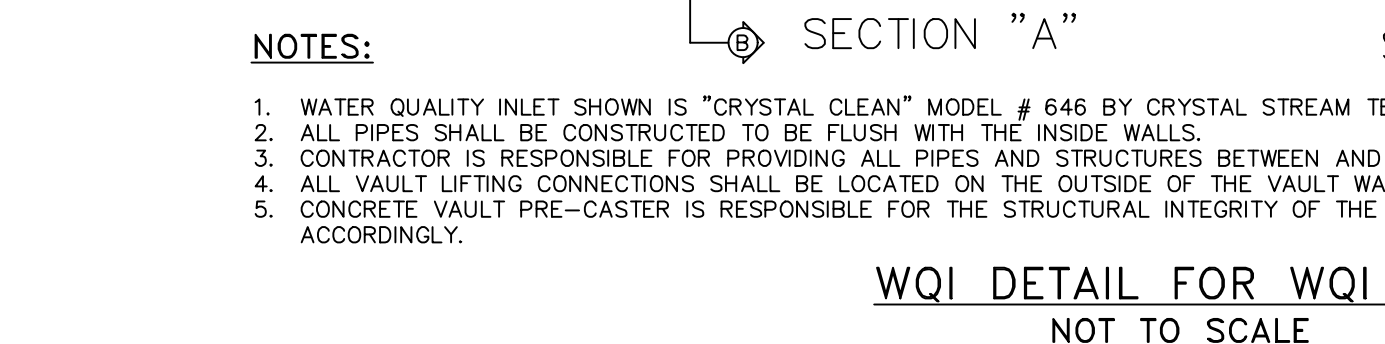
NOTES:

- THE INFILTRATION BASIN SHALL NOT SERVE AS A SEDIMENT TRAP DURING CONSTRUCTION AND SHALL BE PROTECTED FROM CONSTRUCTION ACTIVITY.
- RELATIVELY LIGHT TRACKED EQUIPMENT IS RECOMMENDED FOR CONSTRUCTION PURPOSES TO AVOID COMPACTION OF THE BASIN FLOOR.
- A HIGHLY PERVIOUS SURFACE TEXTURE SHALL BE RETAINED ALONG THE BASIN FLOOR TO PREVENT EROSION AND SLOPING AND TO PROVIDE A NATURAL MEANS OF MAINTAINING A RELATIVELY HIGH INFILTRATION RATES.
- ERASERS OF THE FESCUE FAMILY (ALTA FESCUE, WESTERN FESCUE OR RED FESCUE) ARE SPECIFIED ON THIS PLAN PRIMARILY DUE TO THEIR ADAPTABILITY TO DRY SANDY SOILS, DROUGHT RESISTANCE, HARDNESS, AND ABILITY TO WITHSTAND BREEZING BURNATIONS. FESCUE WILL ALSO ALLOW FOR LONG INTERVALS BETWEEN MOWINGS, WHICH SHALL OCCUR TWICE PER YEAR MINIMUM, TYPICALLY IN JUNE AND SEPTEMBER IS SATISFACTORY.
- THE BERMS SHALL BE SUFFICIENTLY COMPACTED AND OF SUCH MATERIAL TO PREVENT SEEPAGE.



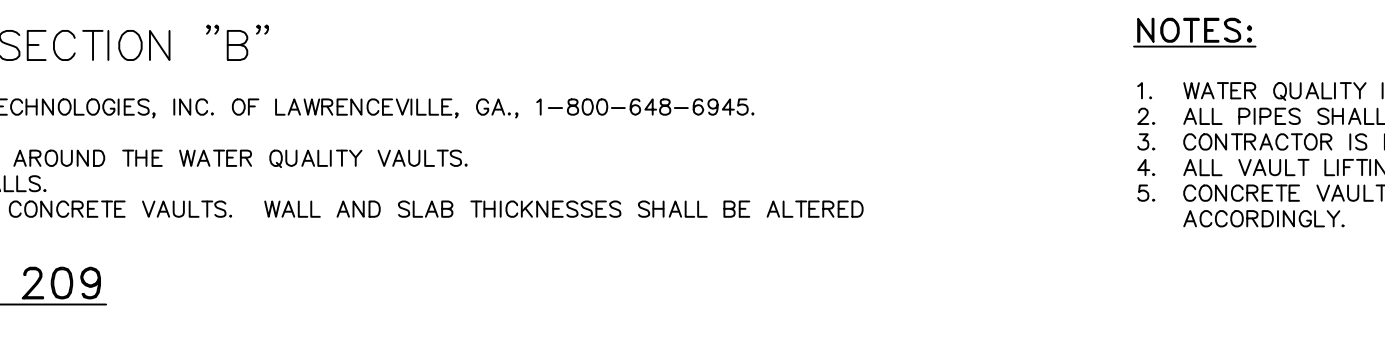
NOTES:

- YARD INLET BASINS SHALL BE PRE-CAST REINFORCED CONCRETE. SHALL HAVE A MINIMUM 28-DAY COMPRESSIVE STRENGTH OF 4000 PSI AND SHALL BE IN CONFORMANCE WITH ASTM 478-68. WALLS AND BASE SHALL BE ONE PIECE CONSTRUCTION. YARD INLET BASIN SHOWN BY EXPANDED SUPPLY PRODUCTS (ESP), 3330 ROUTE 9, COLD SPRING, NY (845) 265-3771.
- BACKFILL USING SELECT MATERIAL, COMPACTED IN 6" LIFTS.
- SUMP SHALL BE 12".
- FRAMES AND GRATES SHALL BE SET IN A FULL BED OF MORTAR.



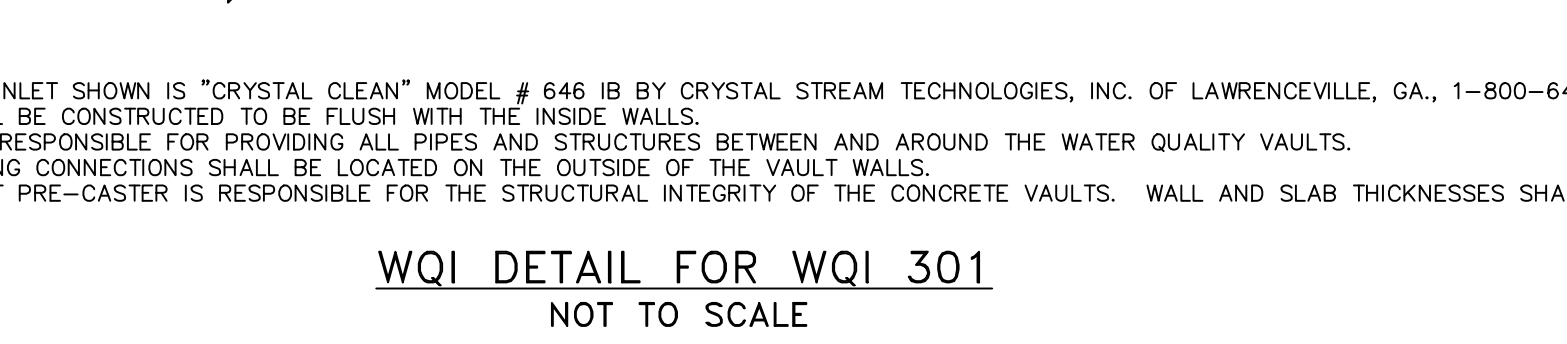
NOTES:

- NO RUNOFF IS TO ENTER THE BIORETENTION AREA UNTIL ALL CONTRIBUTING DRAINAGE AREAS HAVE BEEN STABILIZED.
- LANDSCAPING TO BE PROVIDED BY THE PROJECT LANDSCAPE ARCHITECT AND AS FOLLOWS:
 - NATIVE PLANT SPECIES SHOULD BE SPECIFIED BASED ON SPECIFIED ZONE OF HYDRIC TOLERANCE
 - SELECTIONS OF TREES WITH AN UNDERSTORY OF SHRUBS AND HERBACEOUS MATERIALS SHOULD BE PROVIDED.
 - WOODY VEGETATION SHOULD NOT BE SPECIFIED AT INFLOW LOCATIONS.
 - TREES SHOULD BE PLANTED PRIMARILY ALONG THE PERIMETER OF THE FACILITY.
 - A TREE DENSITY OF 1 TREE PER 100 SQUARE FEET IS RECOMMENDED, AND SHRUBS/HERBACEOUS VEGETATION SHOULD GENERALLY BE PLANTED AT HIGHER DENSITIES (FIVE FEET ON CENTER AND 2.5 FEET ON CENTER, RESPECTIVELY).
 - SEE PLAN FOR PRETREATMENT.



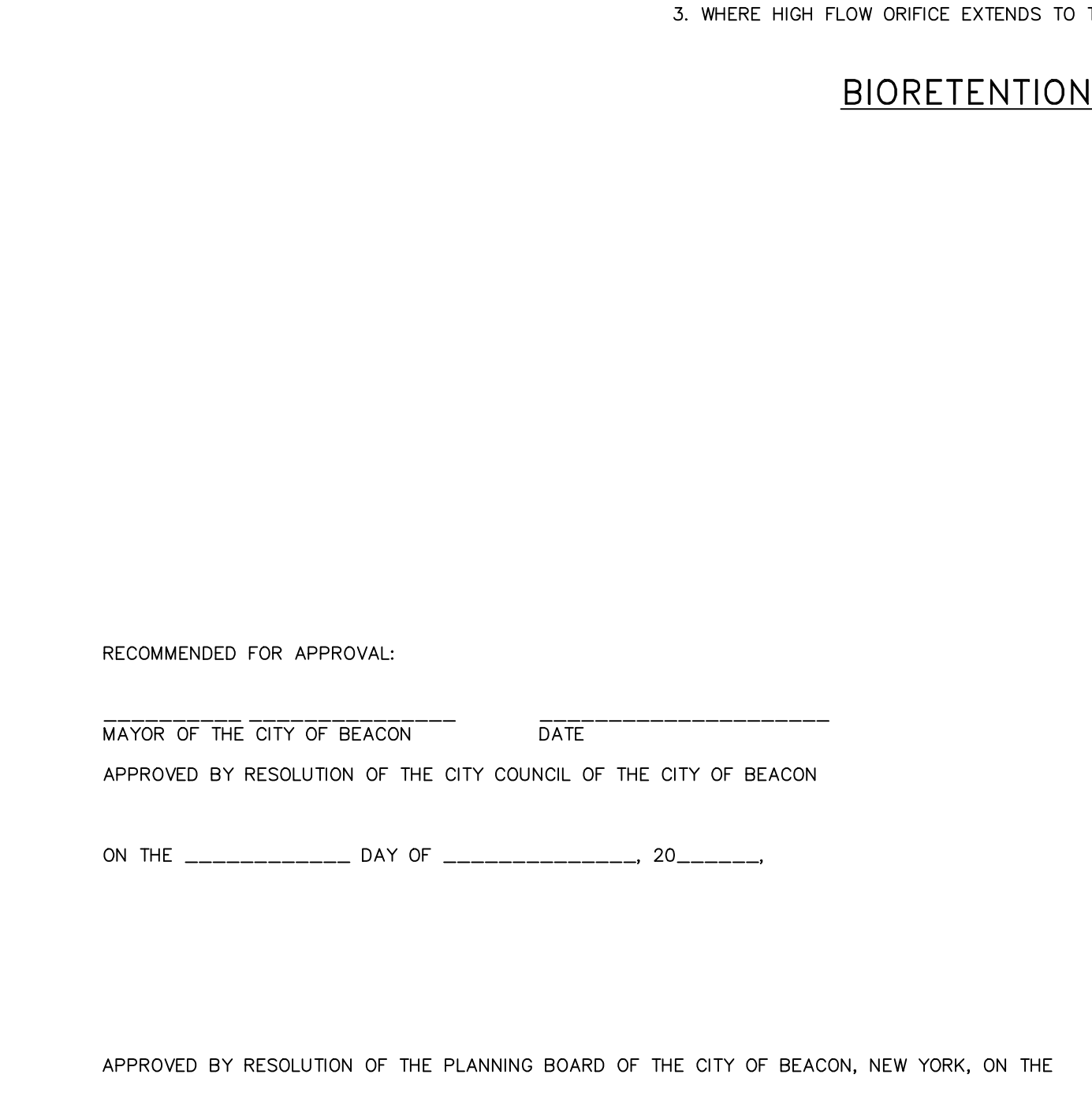
NOTES:

- ALL TRASH RACKS SHALL HAVE UV PROTECTION MEETING OR EXCEEDING THE REQUIREMENTS OF ASTM D2565-99.
- TRASH RACKS SHALL BE SECURED PER THE MANUFACTURER'S RECOMMENDATIONS.
- WHERE HIGH FLOW ORIFICE EXTENDS TO TOP OF STRUCTURE, THE MAXIMUM ALLOWABLE GAP BETWEEN THE TRASH RACKS SHALL BE 4".



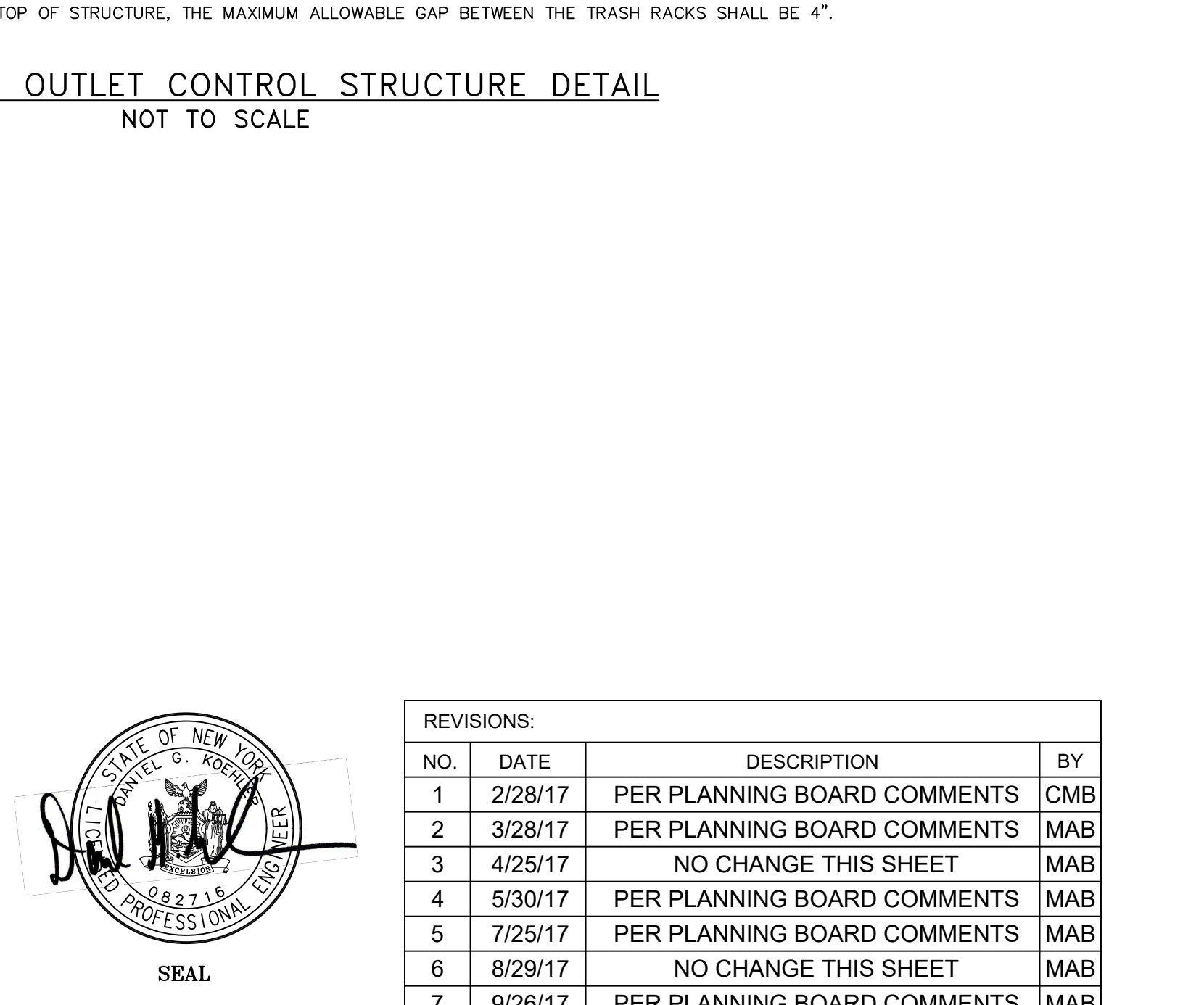
NOTES:

- 1" RIP RAP OUTLET PROTECTION SHALL BE 15' OF LIGHT STONE FILING. STONE FILING SIZE 450-6". RIVER ROCK MAY BE SUBSTITUTED FOR ANGULAR STONE.



NOTES:

- ALL TRASH RACKS SHALL HAVE UV PROTECTION MEETING OR EXCEEDING THE REQUIREMENTS OF ASTM D2565-99.
- TRASH RACKS SHALL BE SECURED PER THE MANUFACTURER'S RECOMMENDATIONS.
- WHERE HIGH FLOW ORIFICE EXTENDS TO TOP OF STRUCTURE, THE MAXIMUM ALLOWABLE GAP BETWEEN THE TRASH RACKS SHALL BE 4".



NOTES:

- THE INFILTRATION BASIN SHALL NOT SERVE AS A SEDIMENT TRAP DURING CONSTRUCTION AND SHALL BE PROTECTED FROM CONSTRUCTION ACTIVITY.
- RELATIVELY LIGHT TRACKED EQUIPMENT IS RECOMMENDED FOR CONSTRUCTION PURPOSES TO AVOID COMPACTION OF THE BASIN FLOOR.
- A HIGHLY PERVIOUS SURFACE TEXTURE SHALL BE RETAINED ALONG THE BASIN FLOOR TO PREVENT EROSION AND SLOPING AND TO PROVIDE A NATURAL MEANS OF MAINTAINING A RELATIVELY HIGH INFILTRATION RATES.
- ERASERS OF THE FESCUE FAMILY (ALTA FESCUE, WESTERN FESCUE OR RED FESCUE) ARE SPECIFIED ON THIS PLAN PRIMARILY DUE TO THEIR ADAPTABILITY TO DRY SANDY SOILS, DROUGHT RESISTANCE, HARDNESS, AND ABILITY TO WITHSTAND BREEZING BURNATIONS. FESCUE WILL ALSO ALLOW FOR LONG INTERVALS BETWEEN MOWINGS, WHICH SHALL OCCUR TWICE PER YEAR MINIMUM, TYPICALLY IN JUNE AND SEPTEMBER IS SATISFACTORY.
- THE BERMS SHALL BE SUFFICIENTLY COMPACTED AND OF SUCH MATERIAL TO PREVENT SEEPAGE.