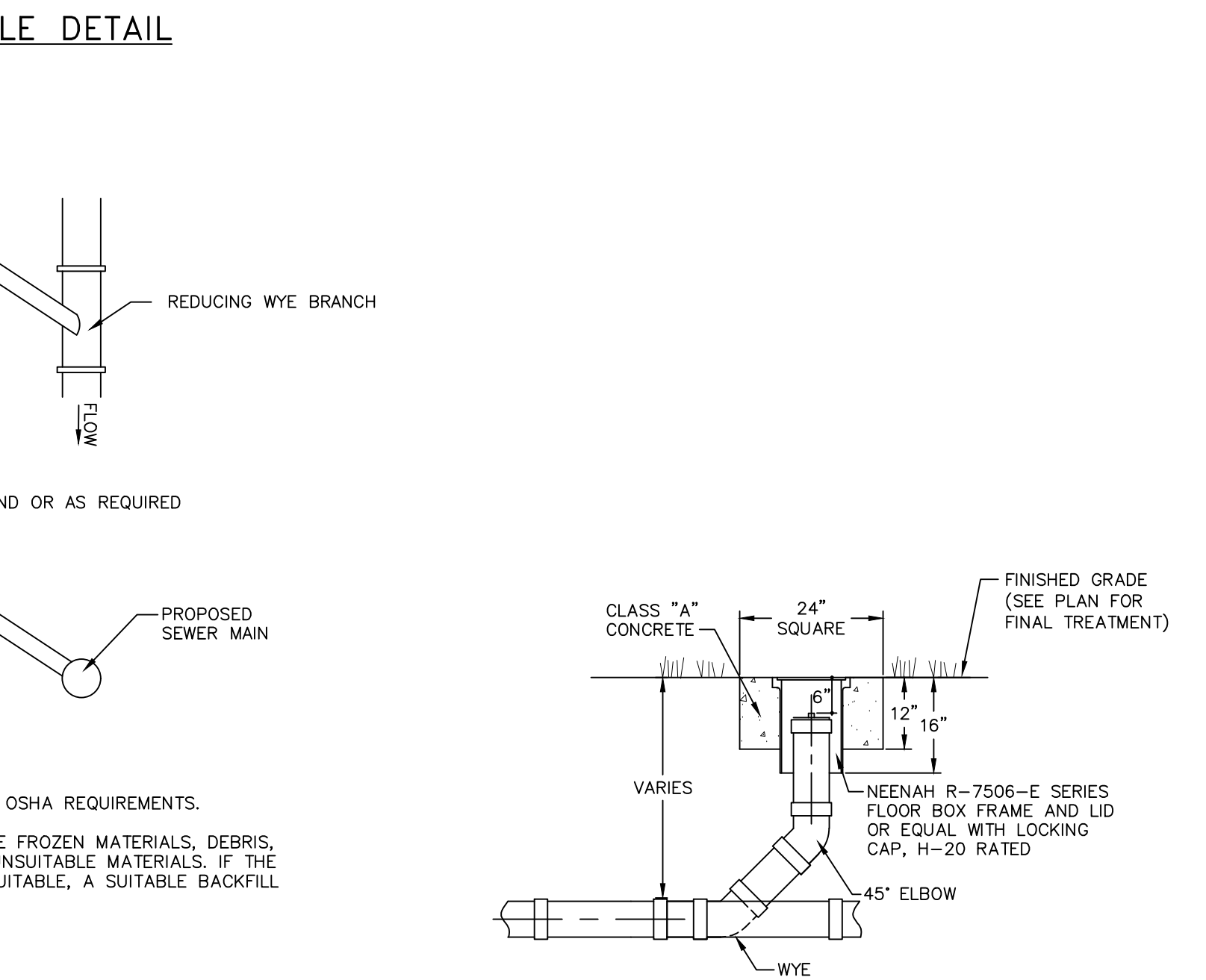
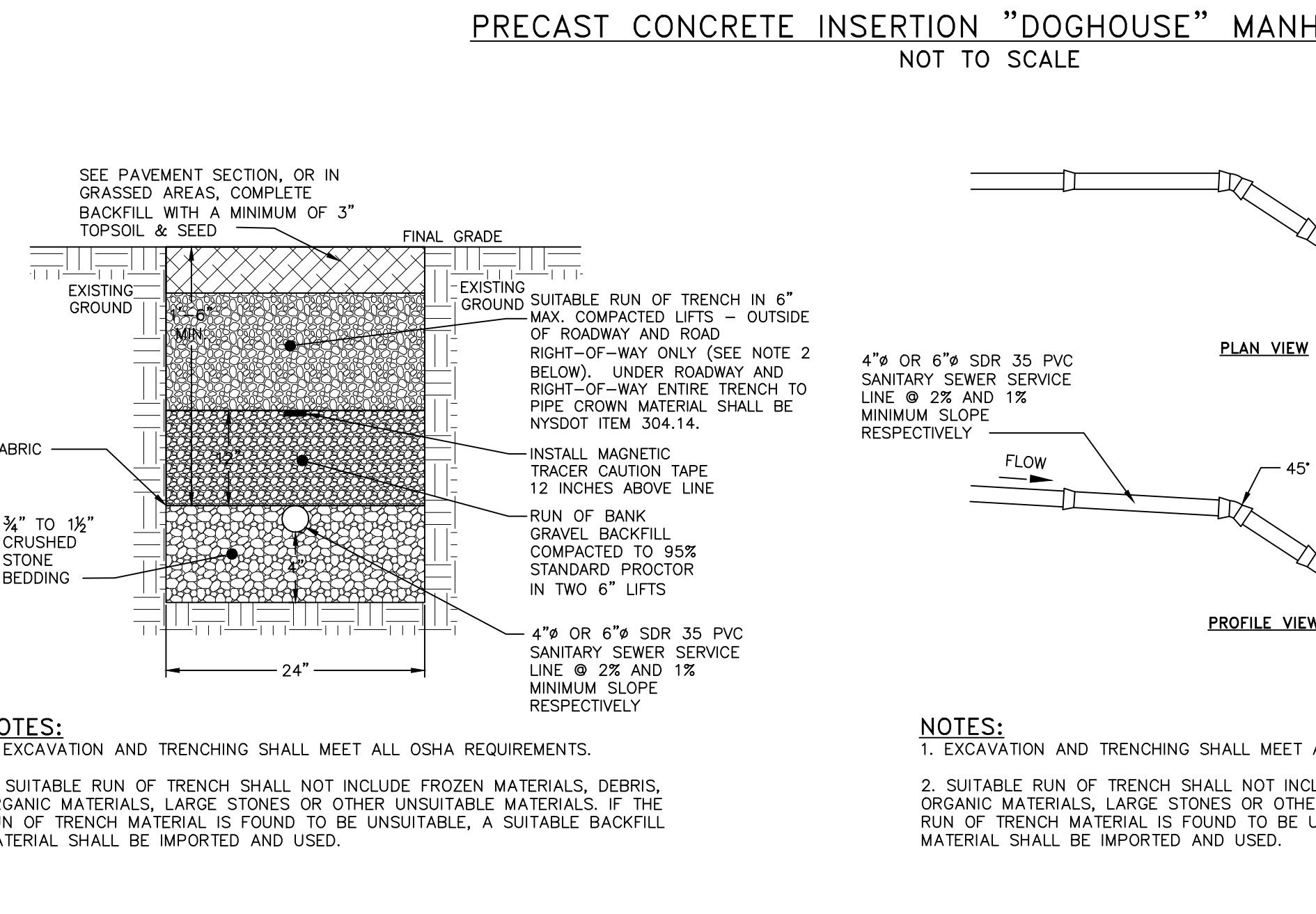
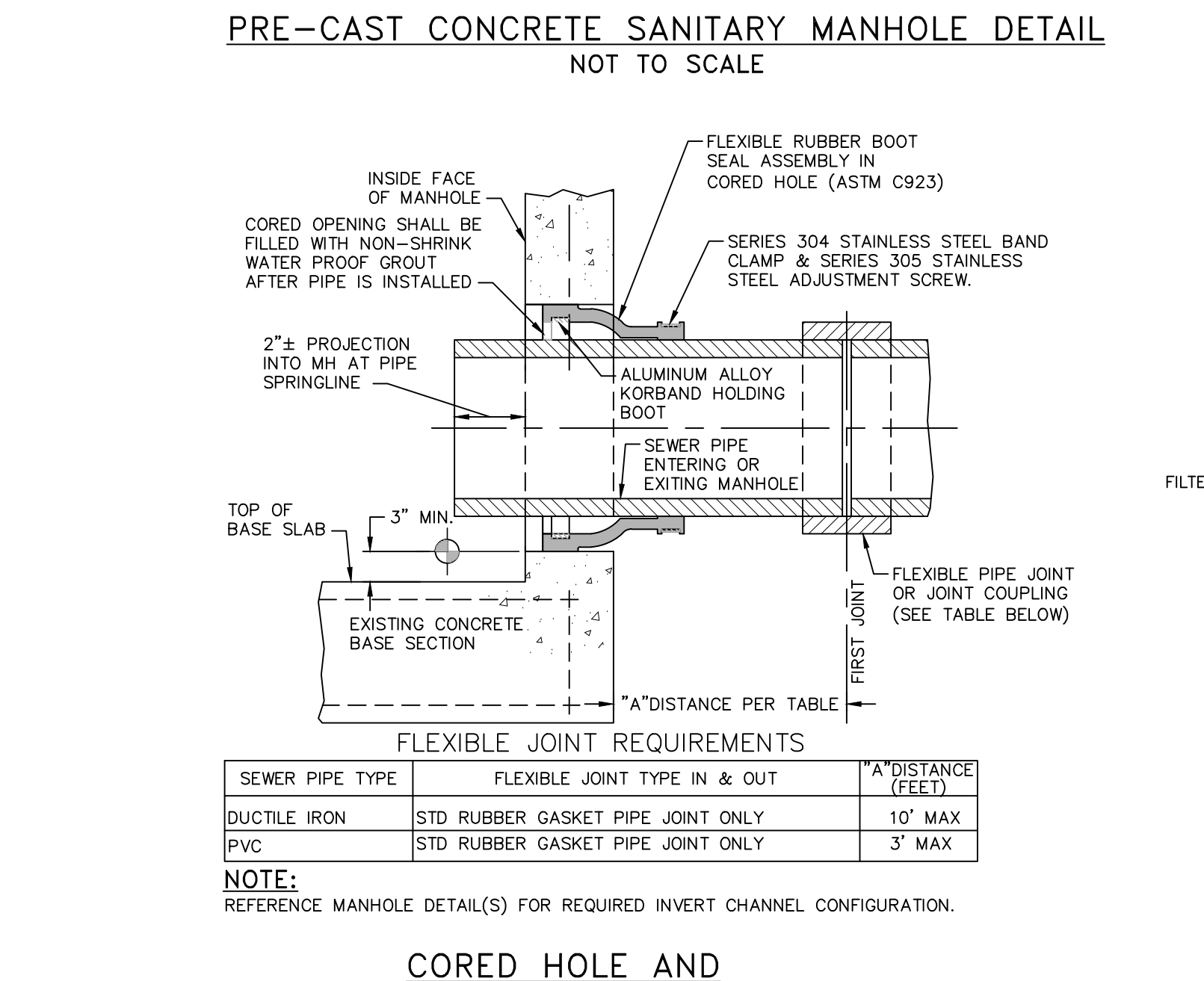
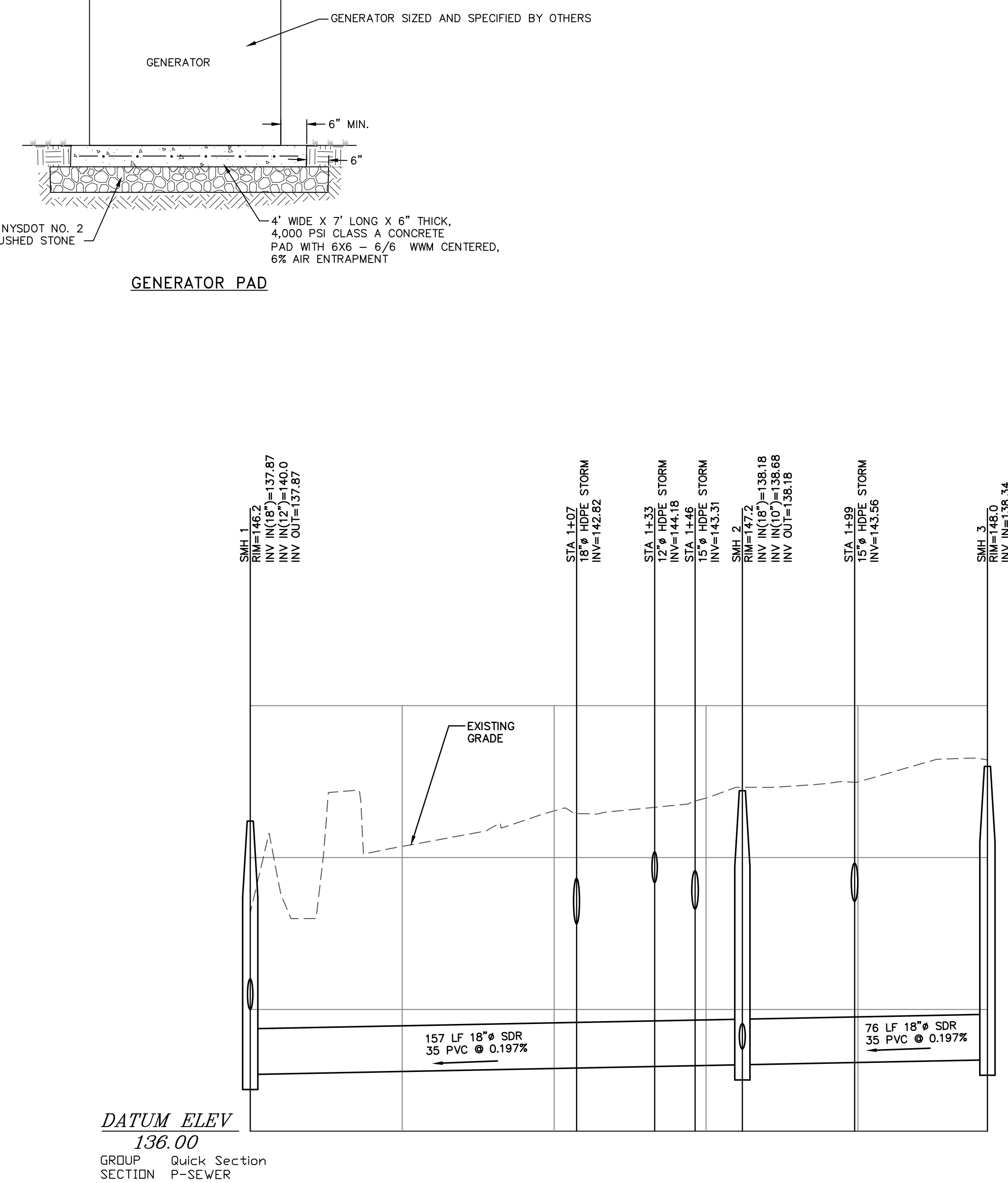
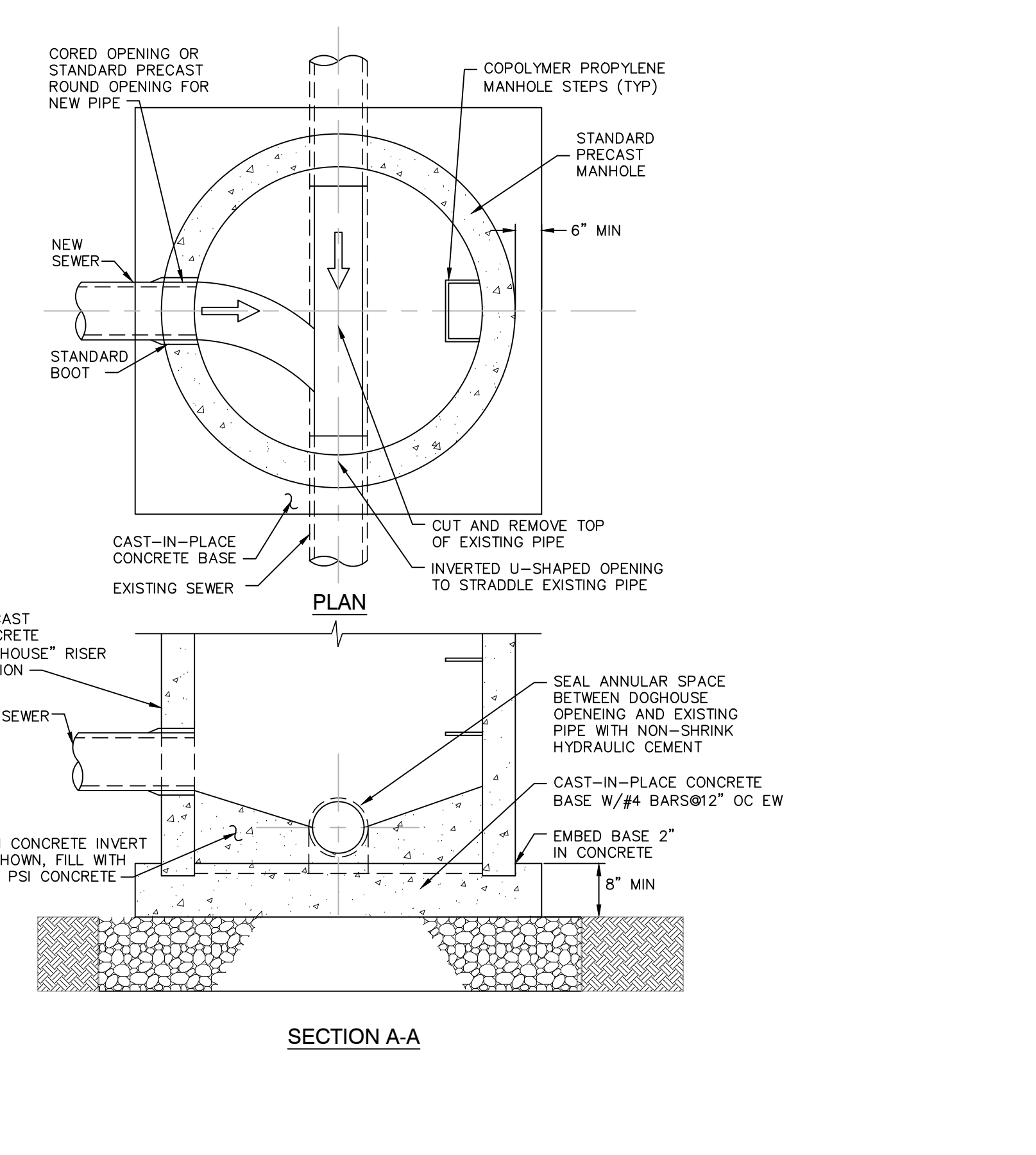
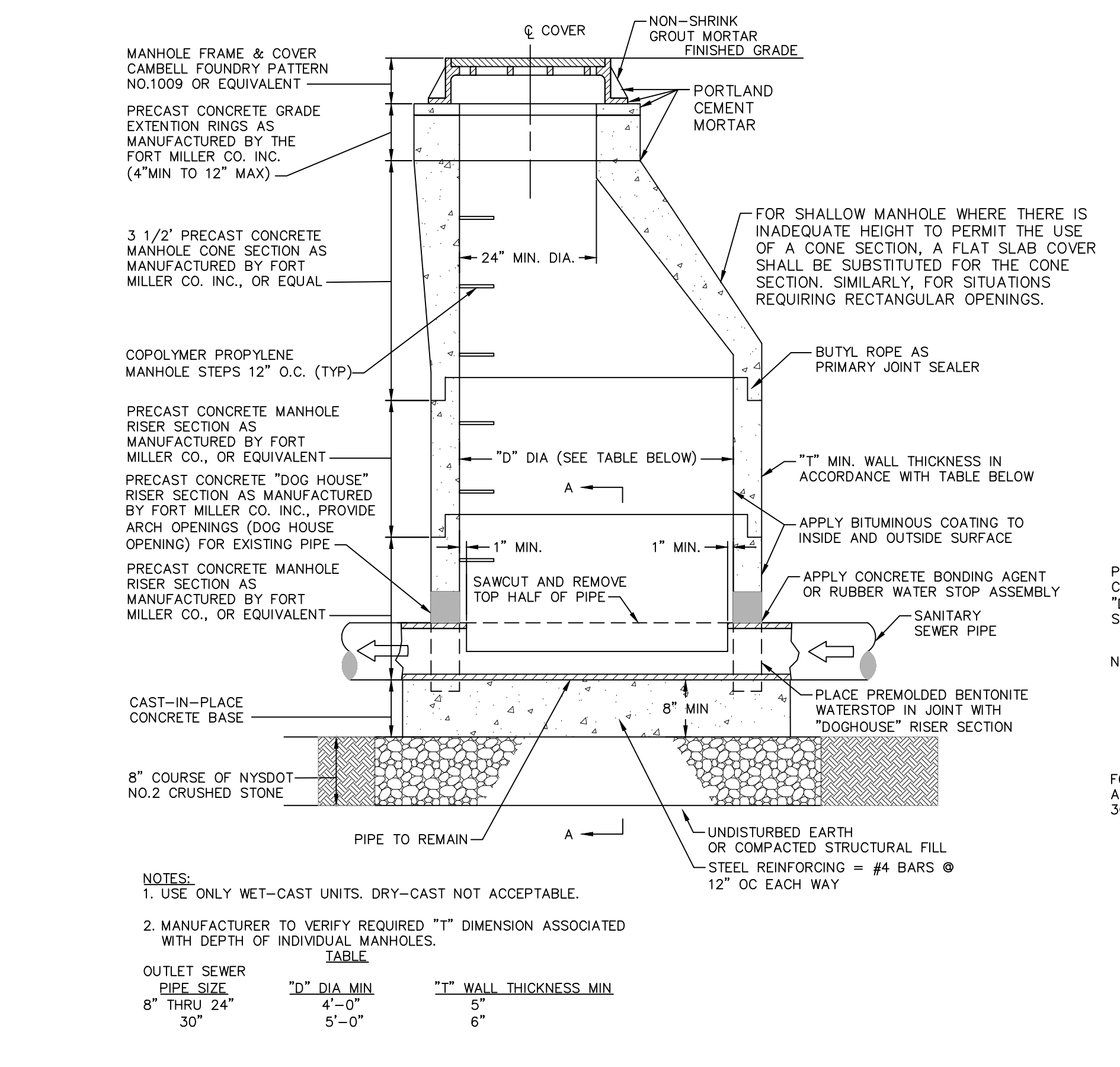
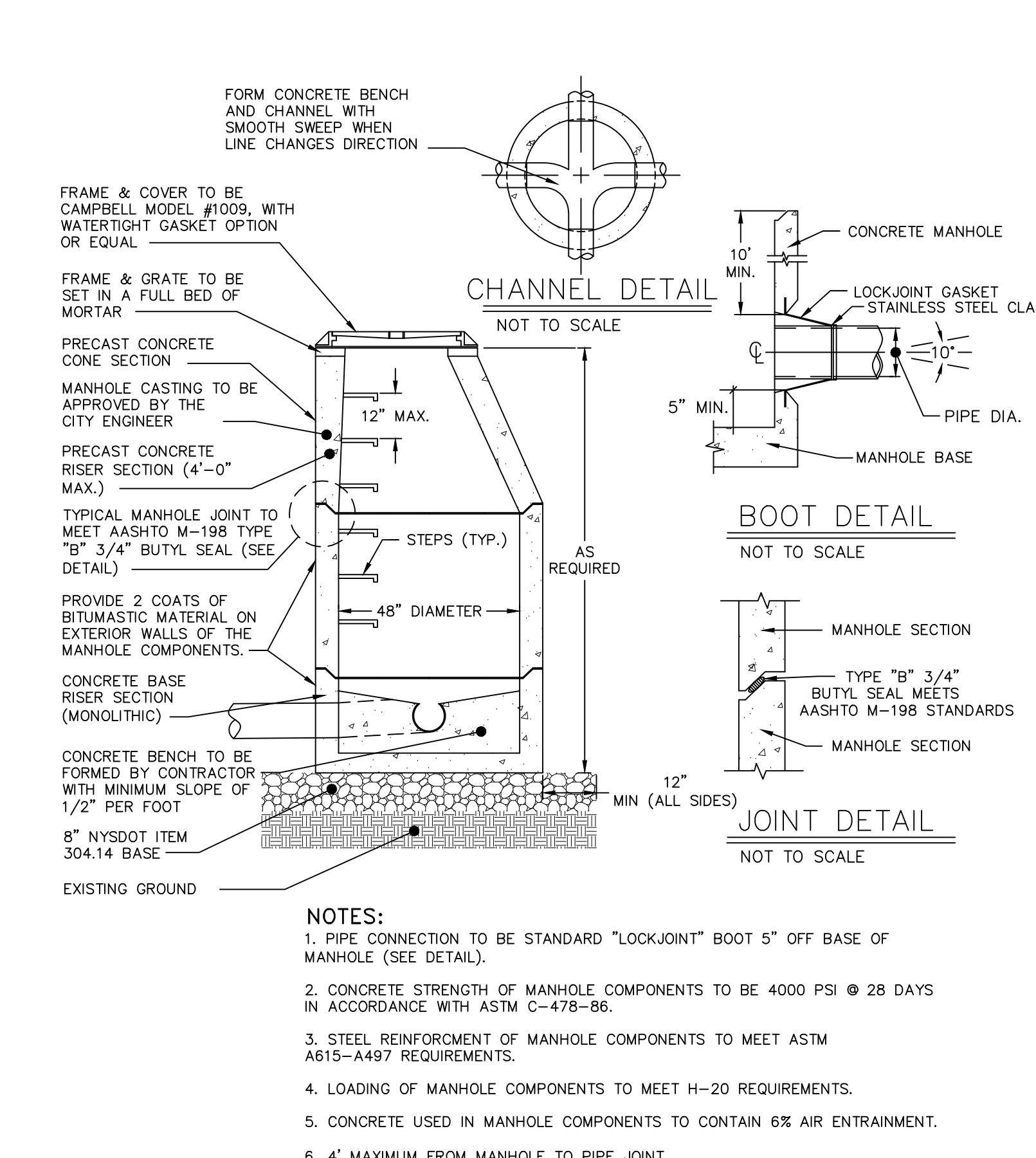
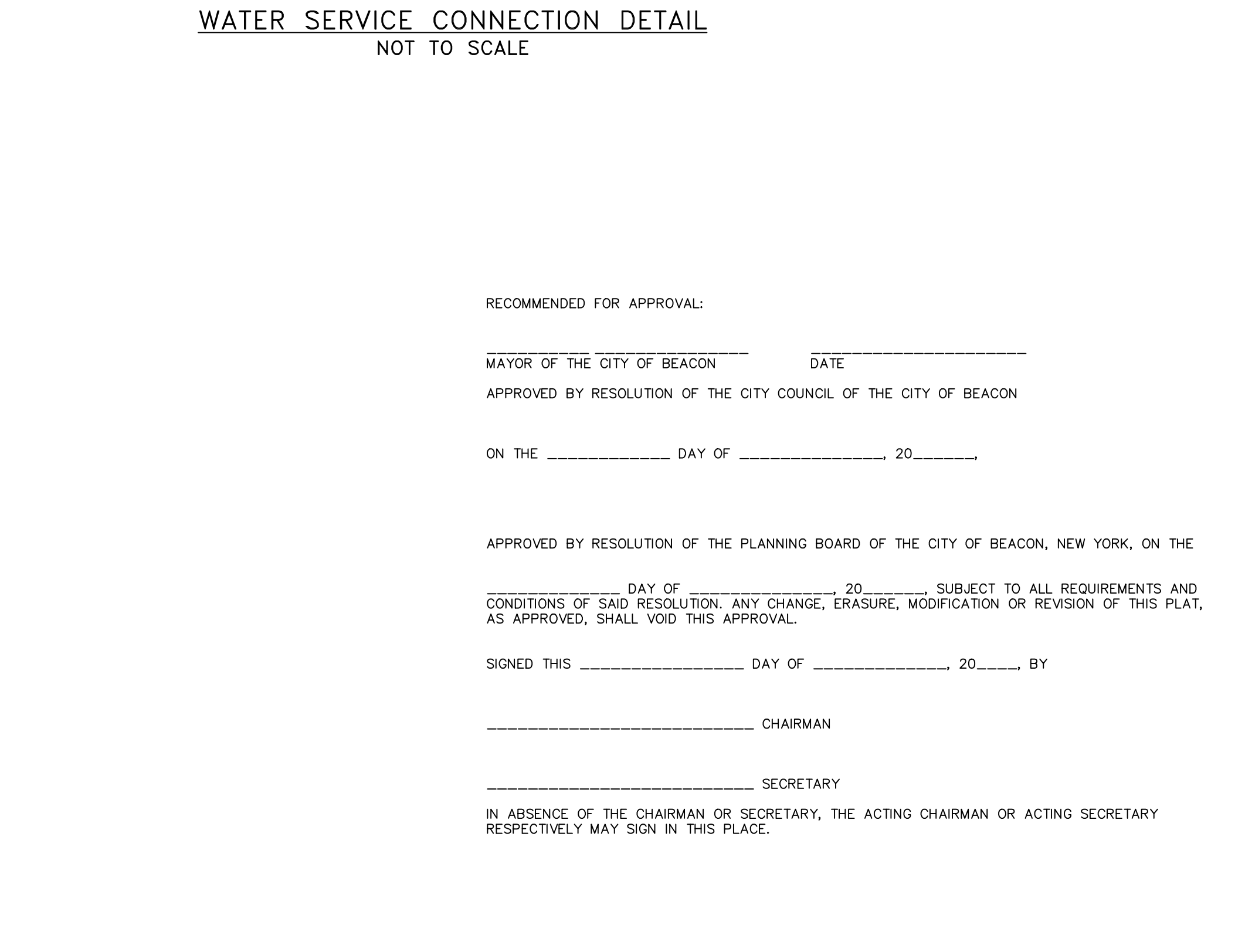
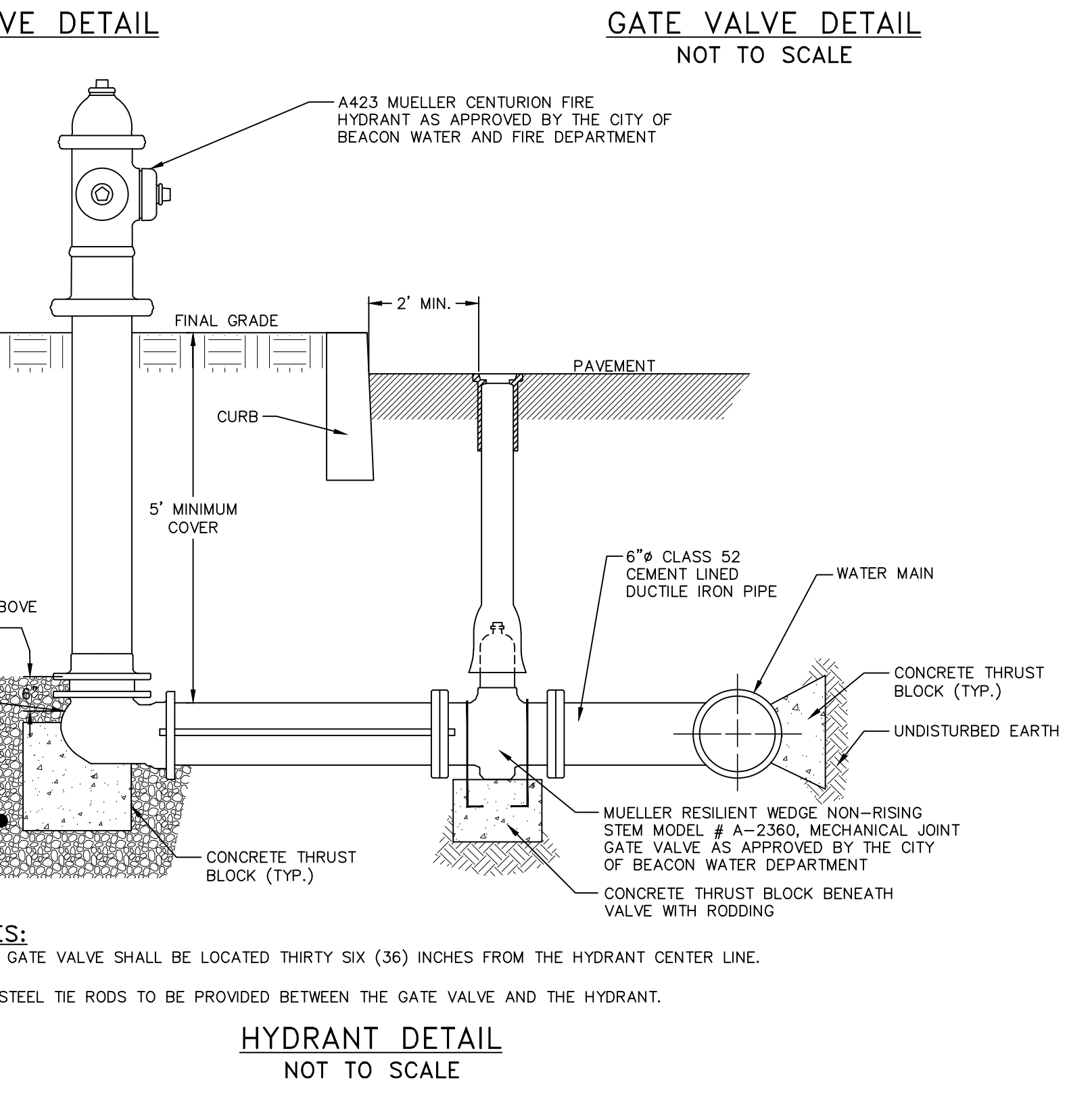
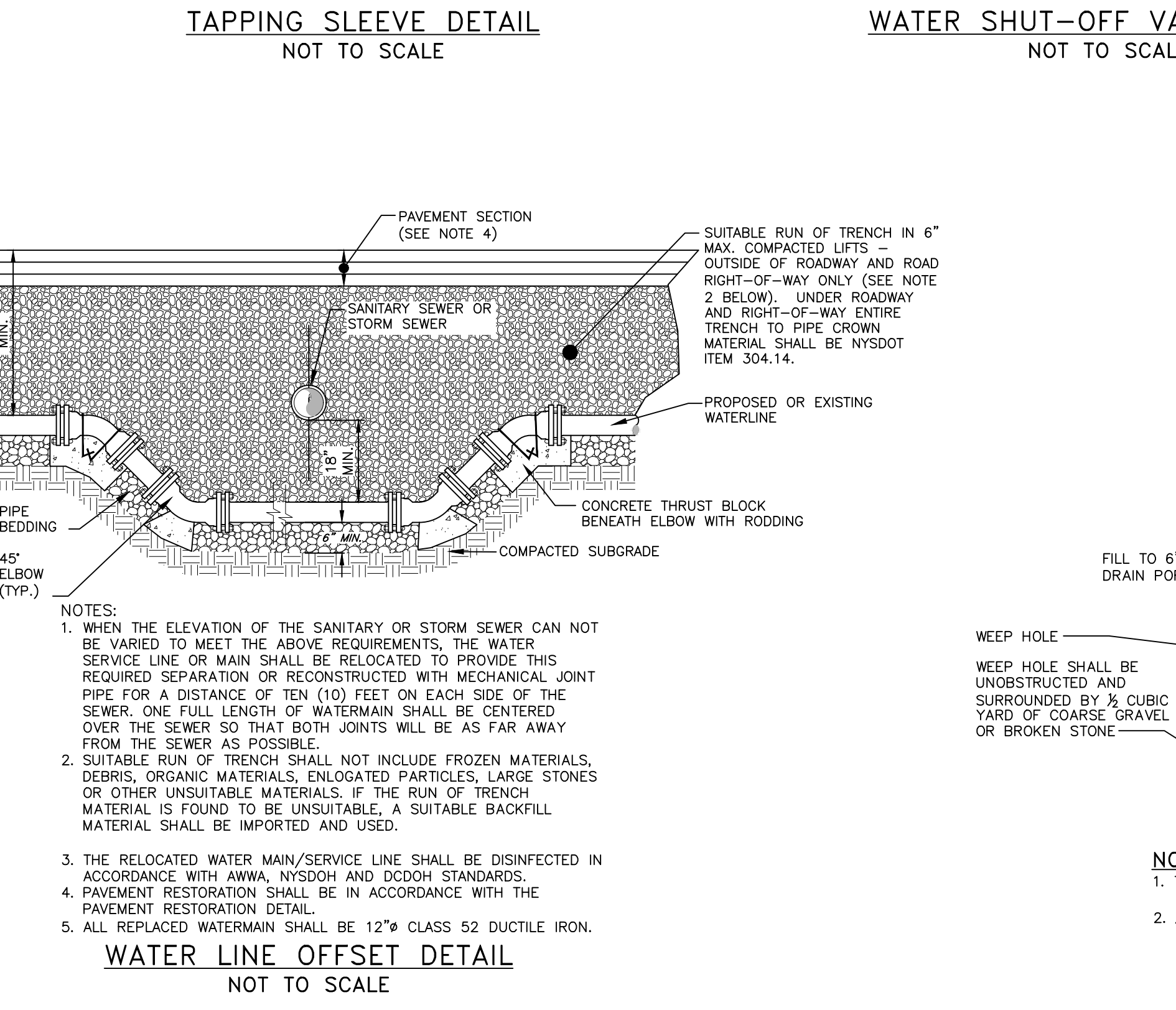
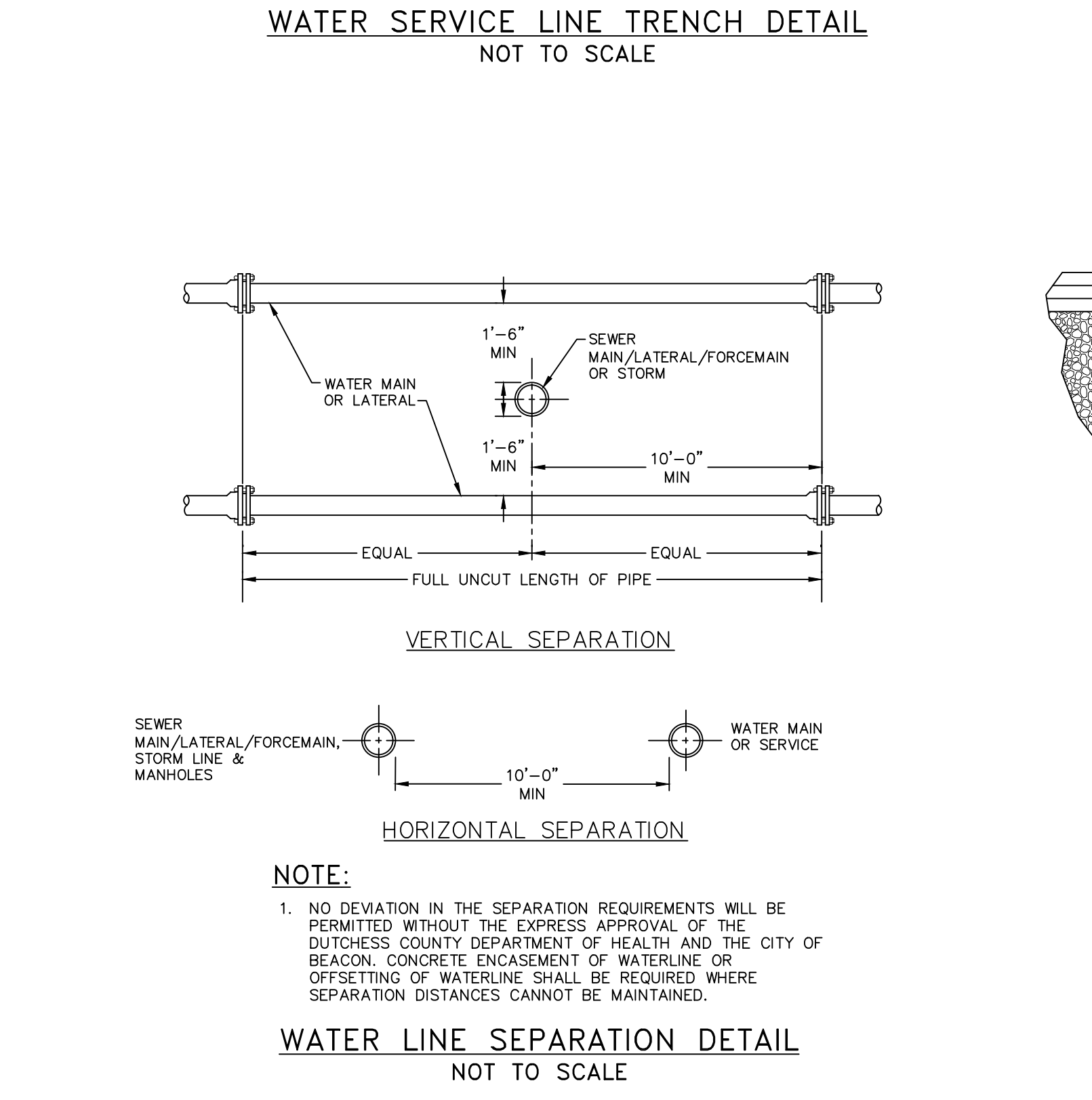
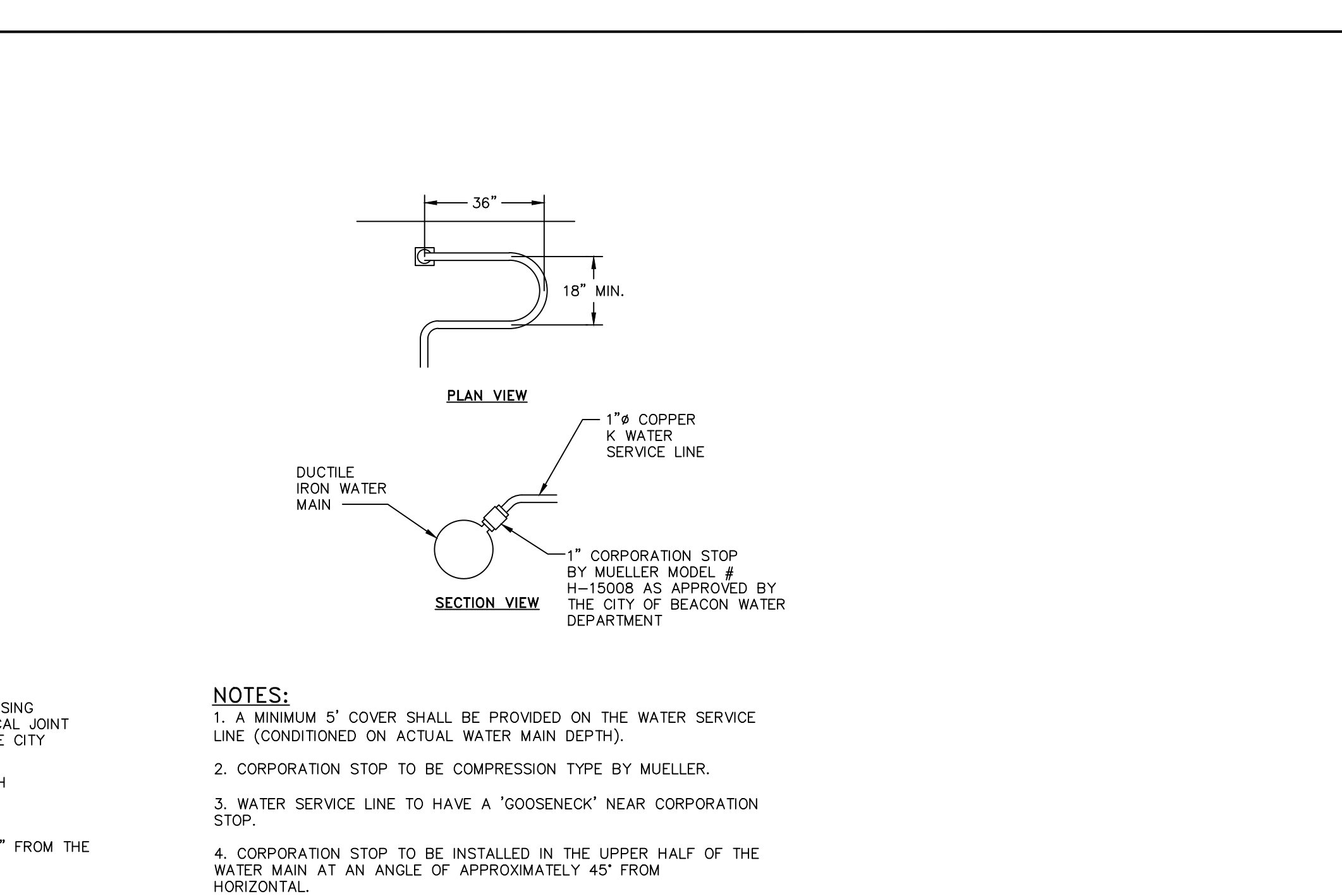
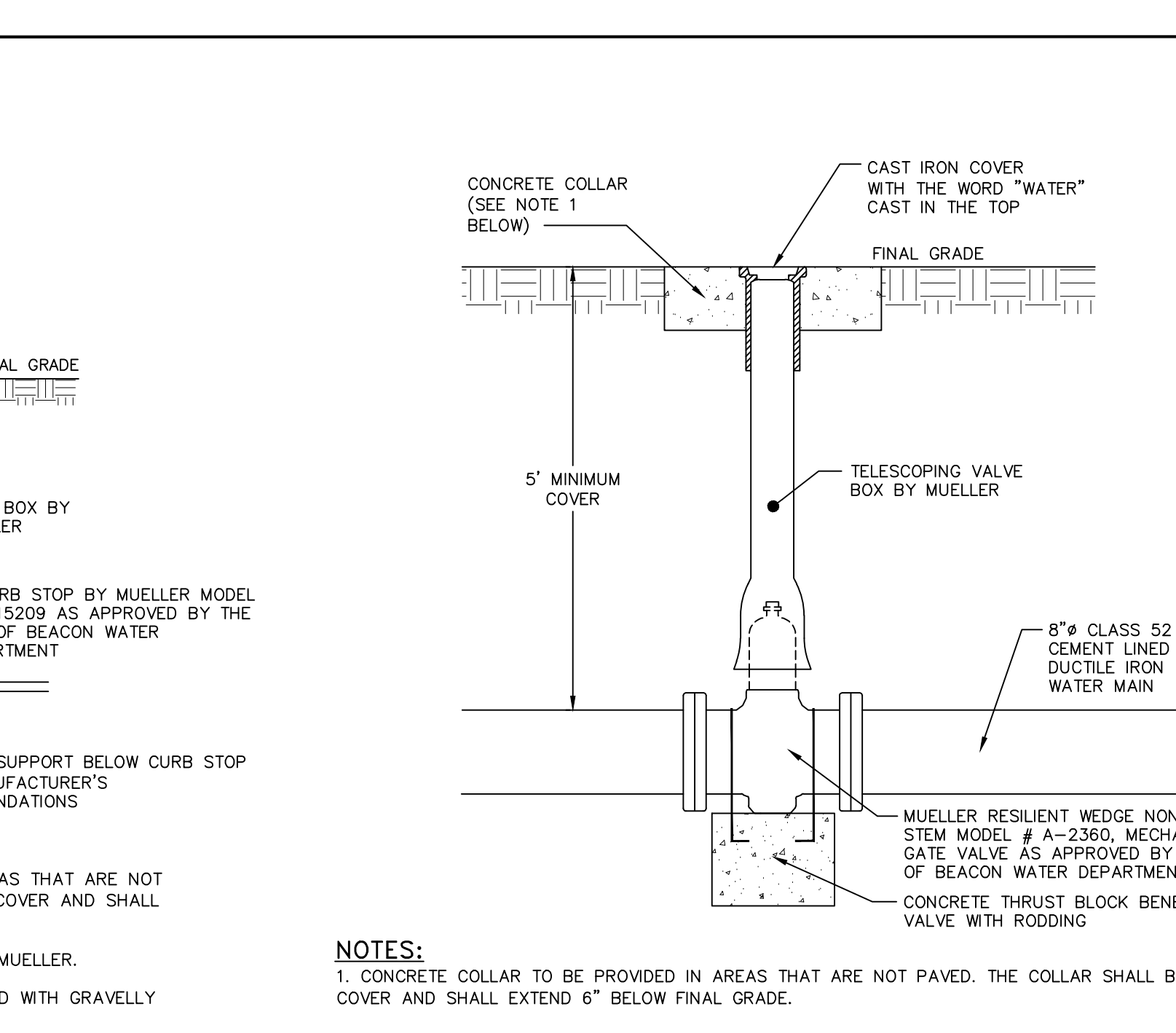
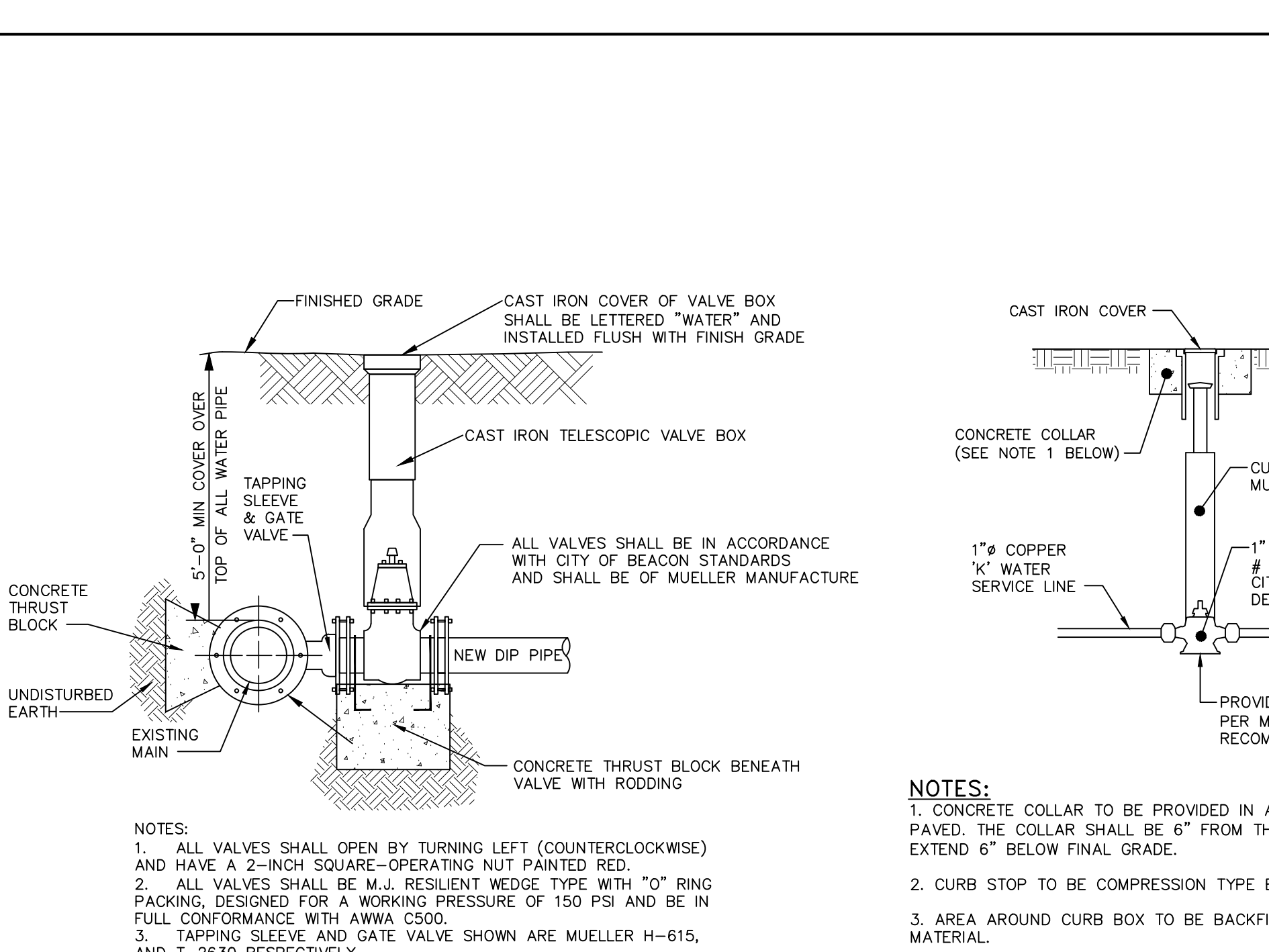
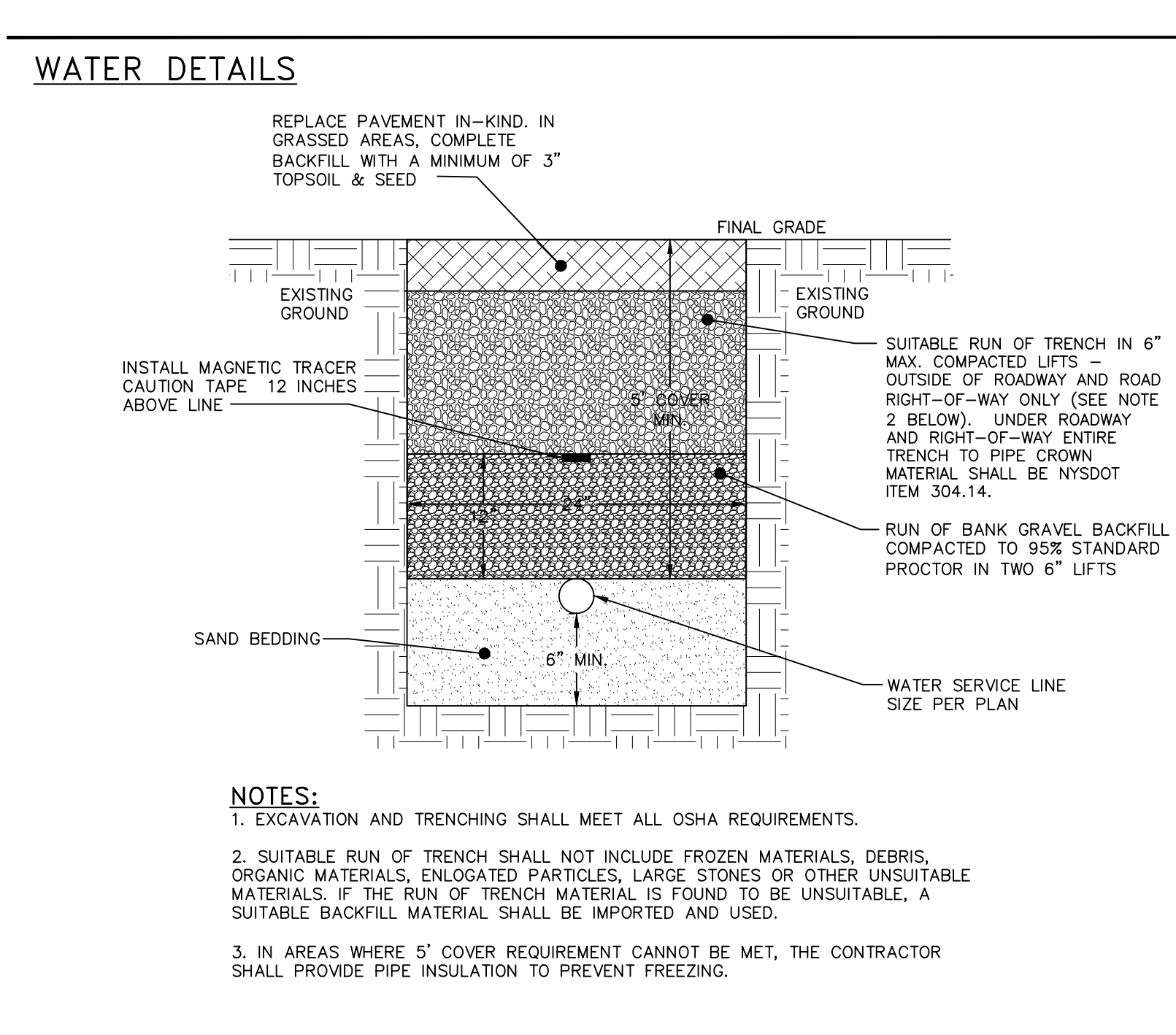


**SEWER DETAILS**



**WATER DETAILS**



RECOMMENDED FOR APPROVAL:

MAYOR OF THE CITY OF BEACON \_\_\_\_\_ DATE \_\_\_\_\_

APPROVED BY RESOLUTION OF THE CITY COUNCIL OF THE CITY OF BEACON

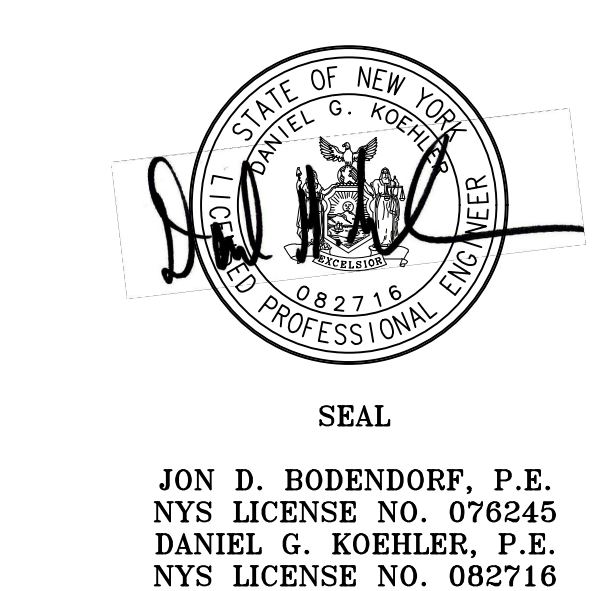
ON THE \_\_\_\_\_ DAY OF \_\_\_\_\_ 20\_\_\_\_

APPROVED BY RESOLUTION OF THE PLANNING BOARD OF THE CITY OF BEACON, NEW YORK, ON THE \_\_\_\_\_ DAY OF \_\_\_\_\_ 20\_\_\_\_ SUBJECT TO ALL REQUIREMENTS AND CONDITIONS OF SAID RESOLUTION; ANY CHANGE, ERASURE, MODIFICATION OR REVISION OF THIS PLAN, AS APPROVED, SHALL VOID THIS APPROVAL.

SIGNED THIS \_\_\_\_\_ DAY OF \_\_\_\_\_ 20\_\_\_\_ BY \_\_\_\_\_ CHAIRMAN

\_\_\_\_\_ SECRETARY

IN ABSENCE OF THE CHAIRMAN OR SECRETARY, THE ACTING CHAIRMAN OR ACTING SECRETARY RESPECTIVELY MAY SIGN IN THIS PLACE.



NO.	DATE	DESCRIPTION	BY
1	8/29/17	NO CHANGE THIS SHEET	CMB

**Amendment to Special Use Permit  
Water and Sewer Details**  
Sheet 10 of 10