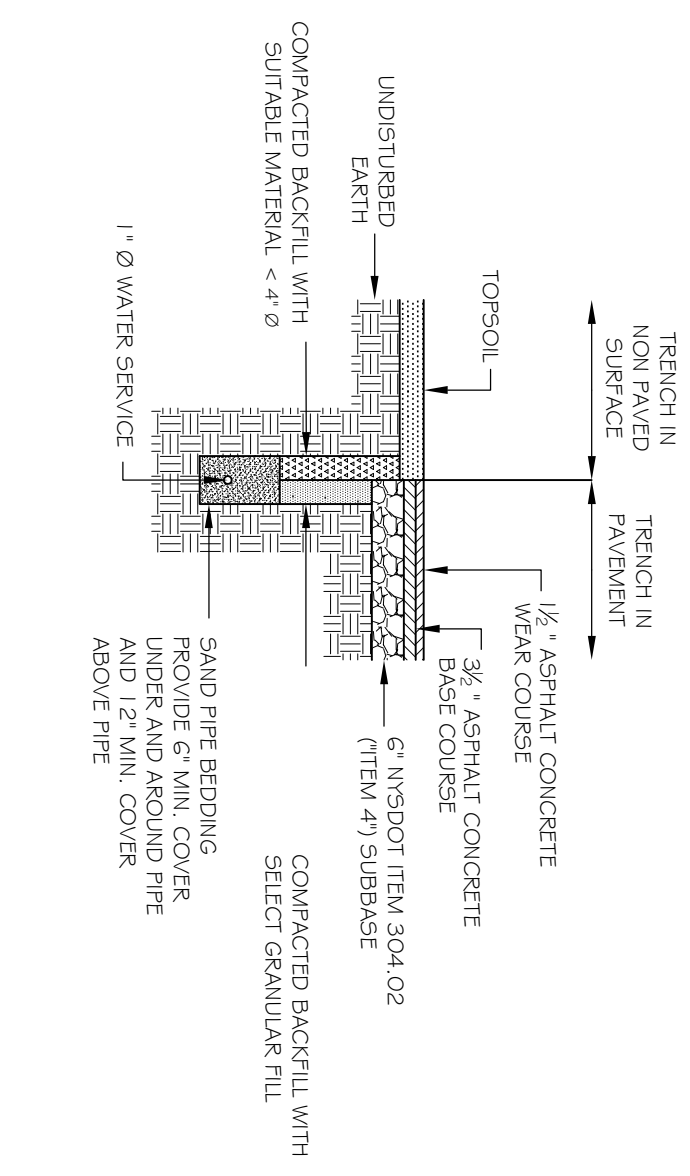


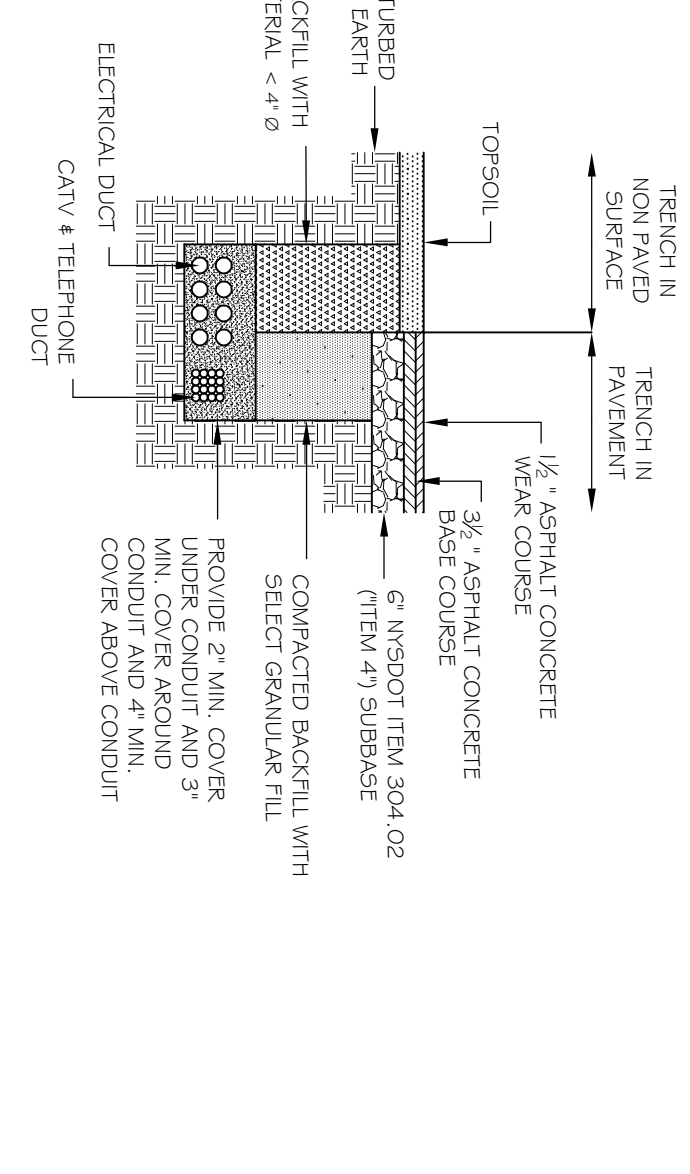
TYPICAL SEWER / DRAIN TRENCH

N.T.S.



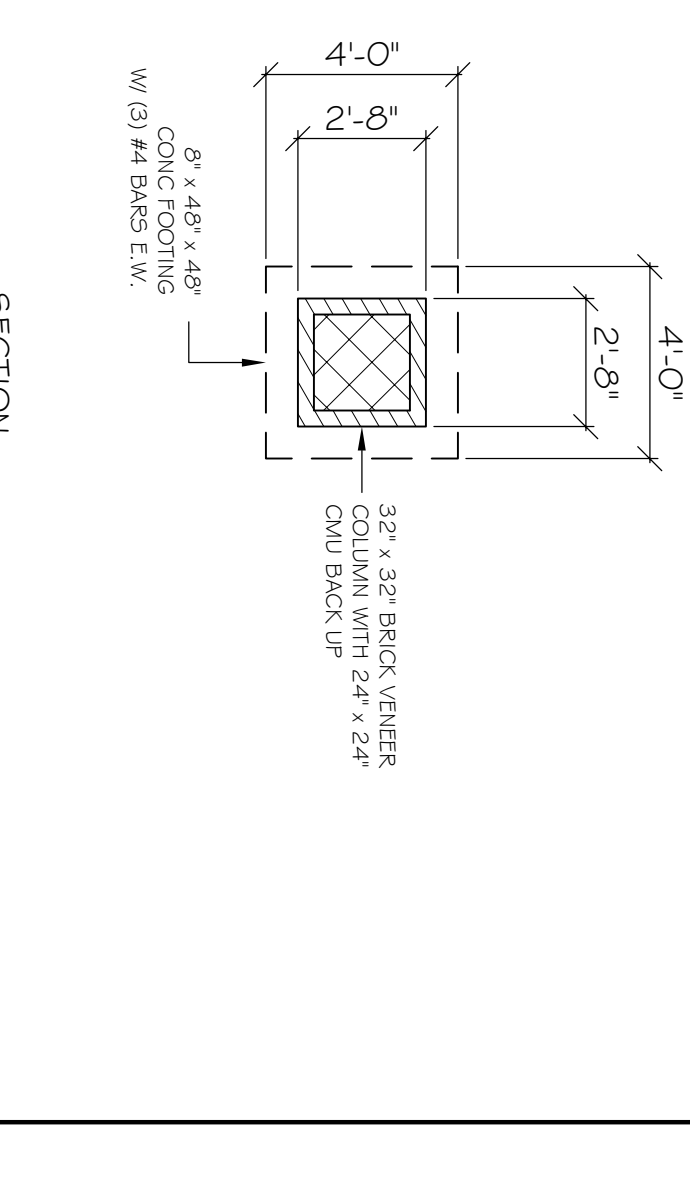
TYPICAL WATER SERVICE TRENCH

N.T.S.



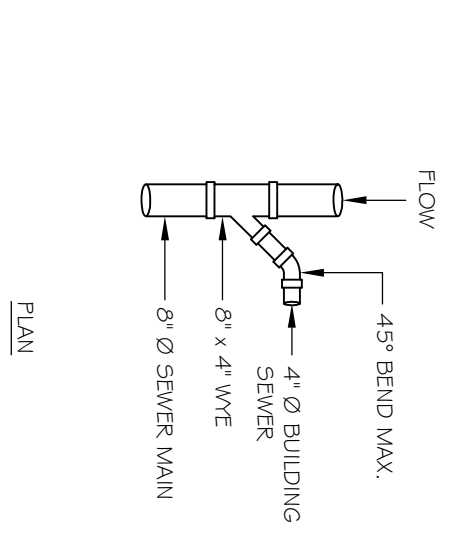
TYPICAL UTILITY TRENCH

N.T.S.



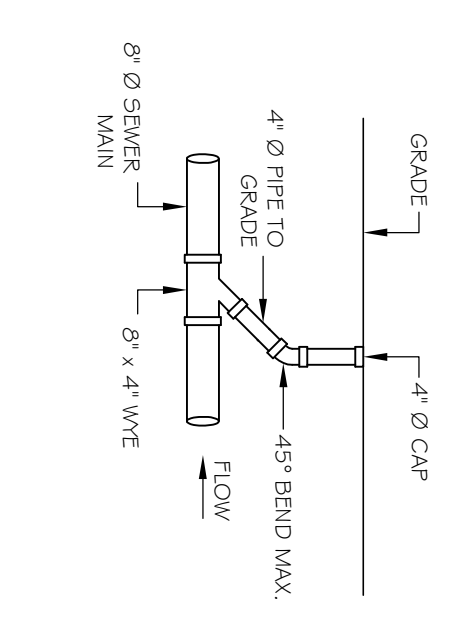
DECORATIVE ENTRANCE COLUMN DETAIL

N.T.S.



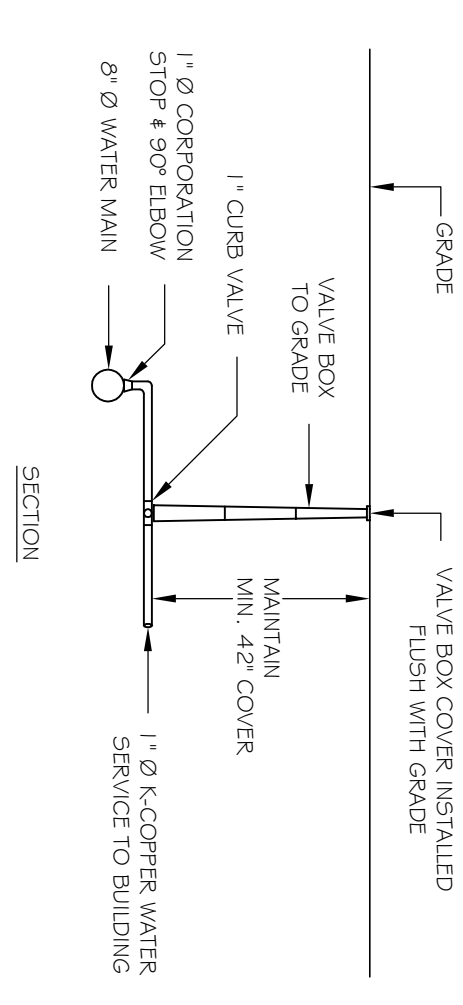
TYPICAL SEWER SERVICE DETAIL

N.T.S.



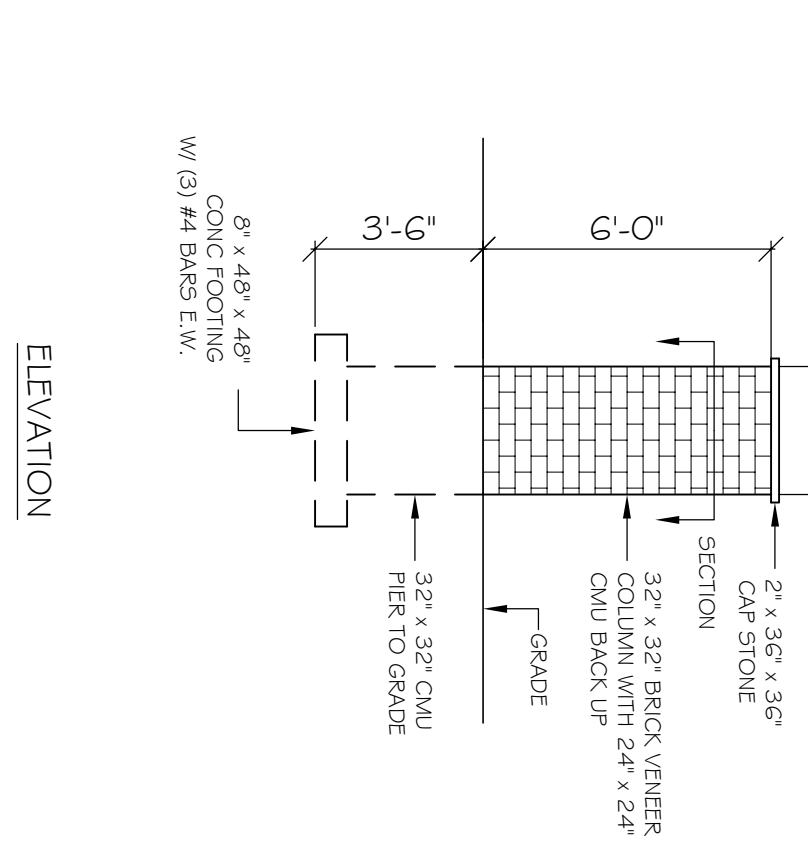
TYPICAL SEWER CLEANOUT DETAIL

N.T.S.



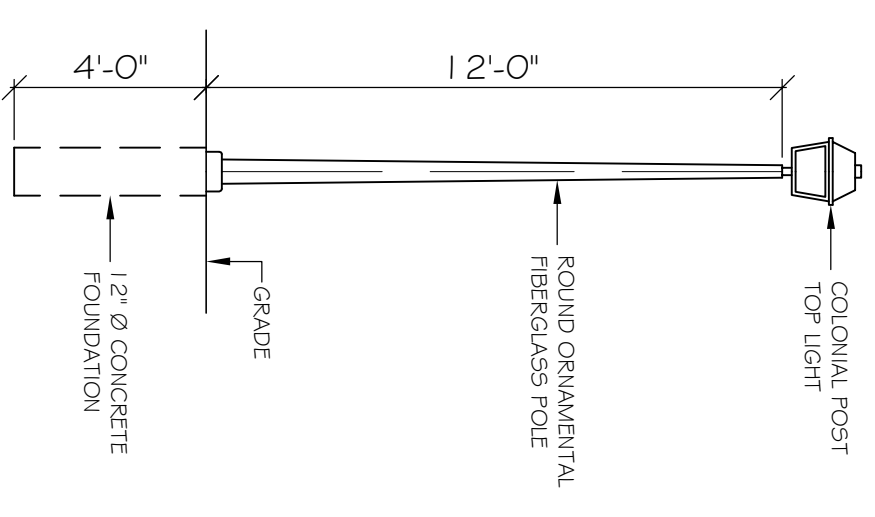
TYPICAL WATER SERVICE DETAIL

N.T.S.



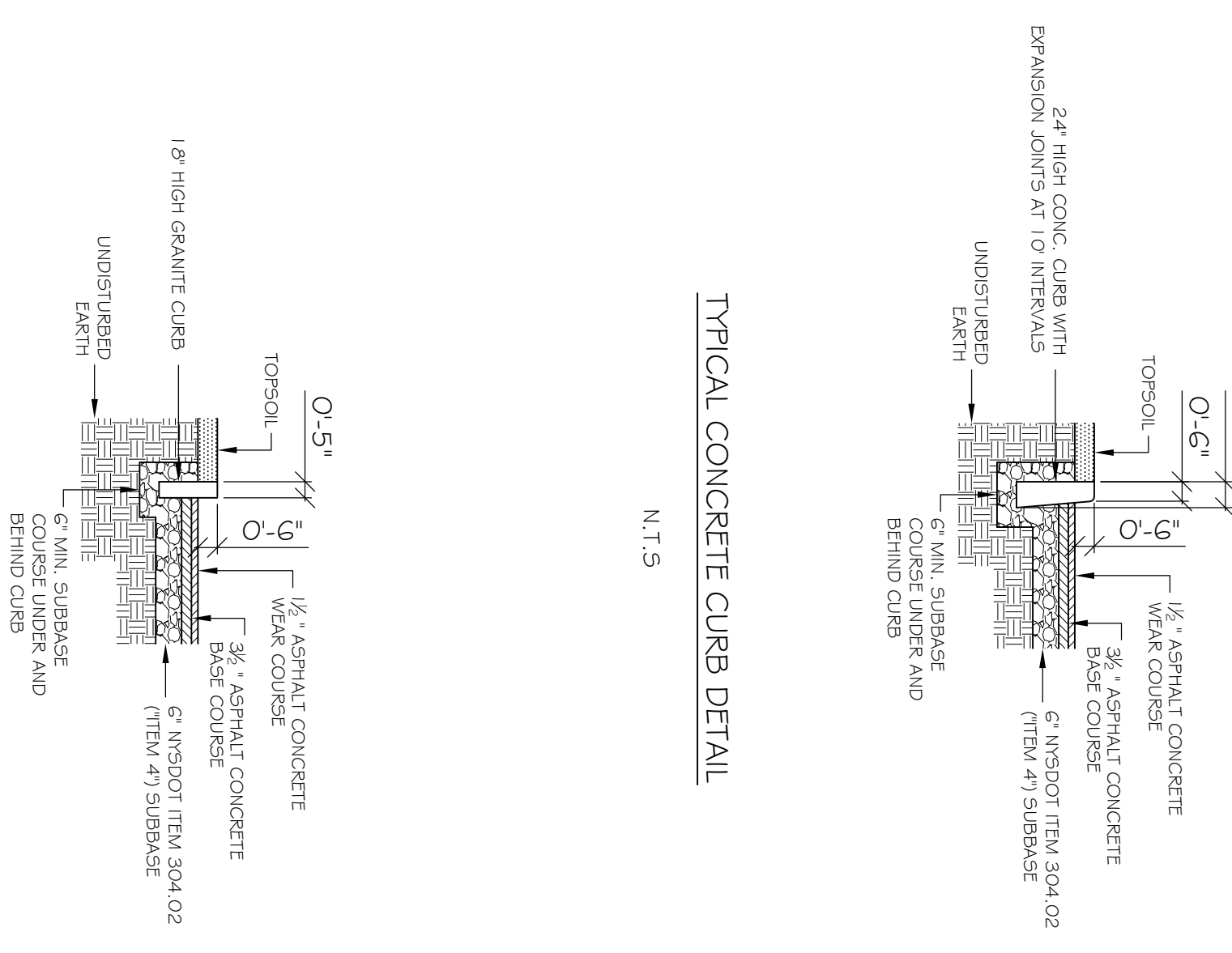
DECORATIVE ENTRANCE COLUMN DETAIL

N.T.S.



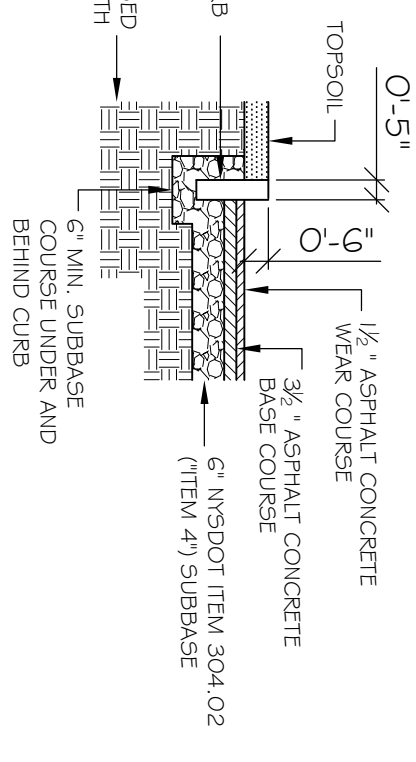
TYPICAL POST LIGHT DETAIL

N.T.S.



TYPICAL CONCRETE CURB DETAIL

N.T.S.



TYPICAL GRANITE CURB

N.T.S.

THIS DETAIL IS PER CENTRAL HUDSON GAS & ELECTRIC CORP. ELECTRICAL SPECIFICATIONS. ALL POST LIGHTS TO BE ON ROUND ORNAMENTAL FIBERGLASS POLE. ALL POST LIGHTS TO BE CENTRAL HUDSON GAS & ELECTRIC CORPORATION STANDARD COLUMN POST TOP LIGHT WITH 1200-700V HIGH RESISTANCE STANDARD COLUMN POST TO BE DRIVEN TO GRADE. SHIELD AS INDICATED ON DRAWING # 3.