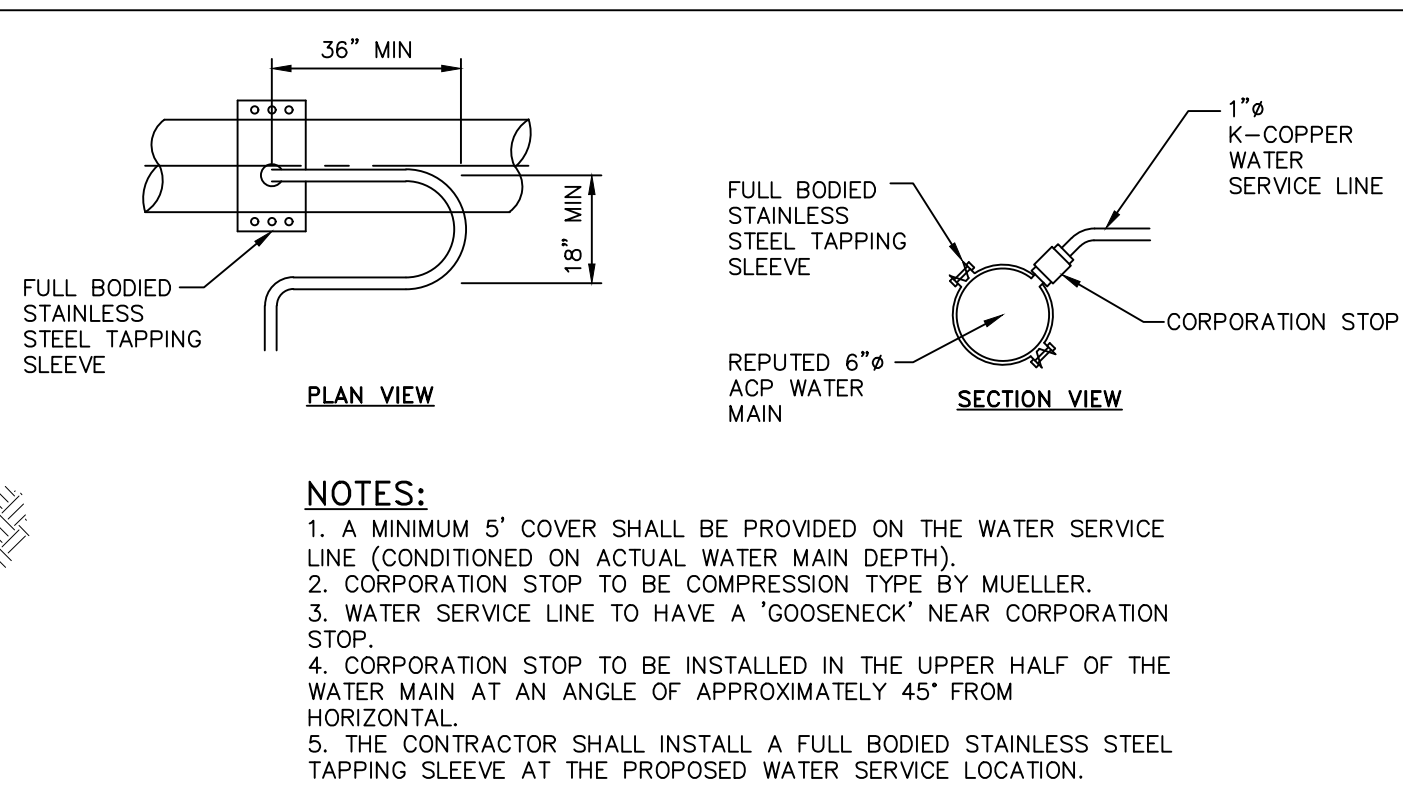
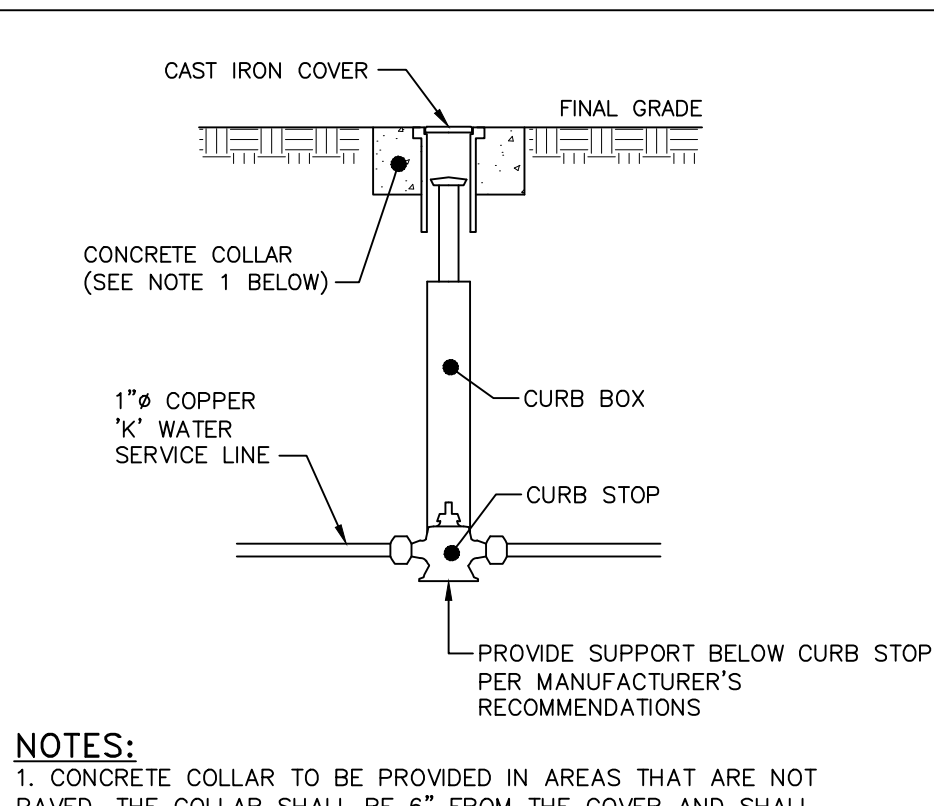


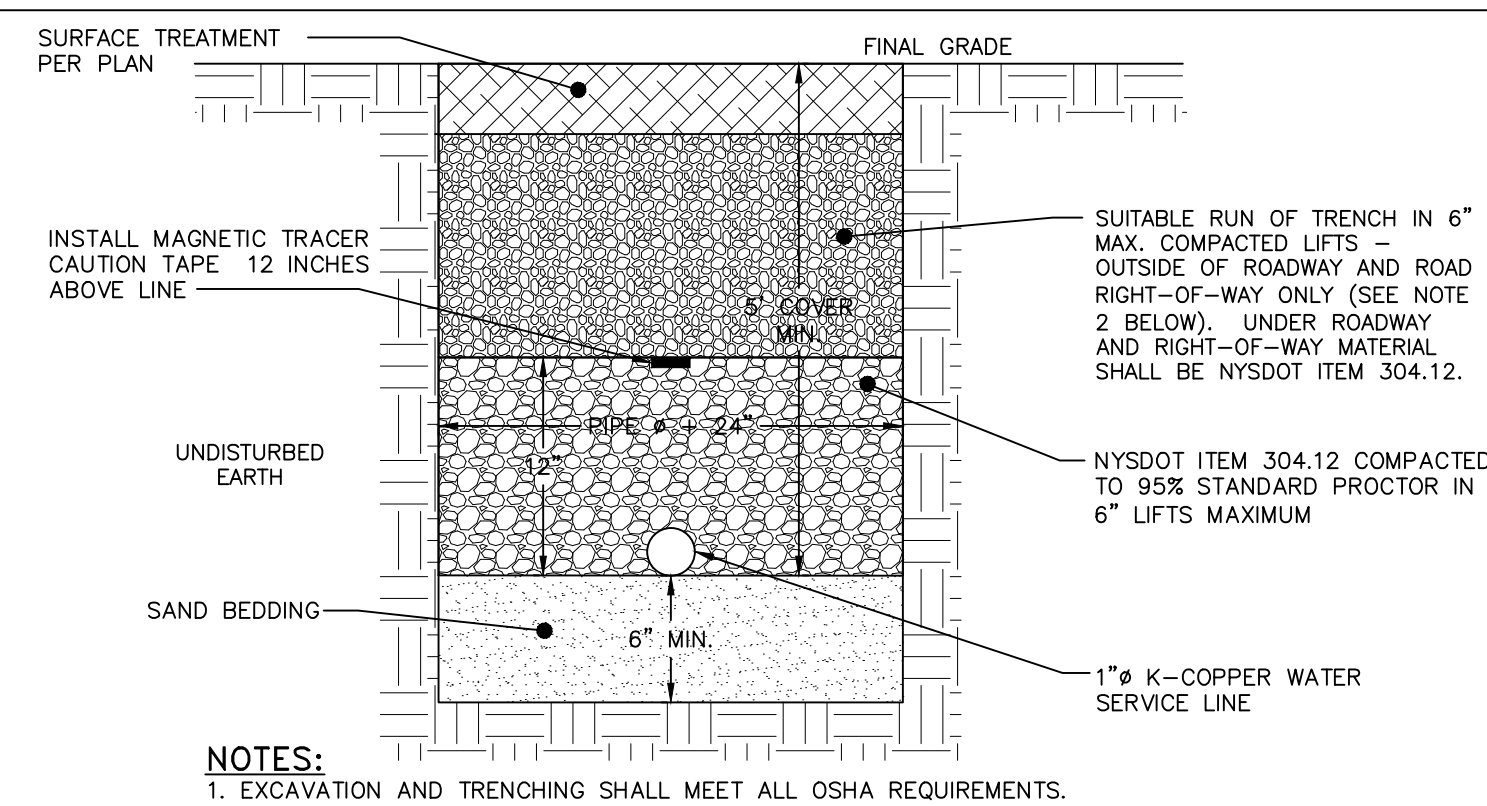
PAVED DRIVEWAY SECTION DETAIL
NOT TO SCALE



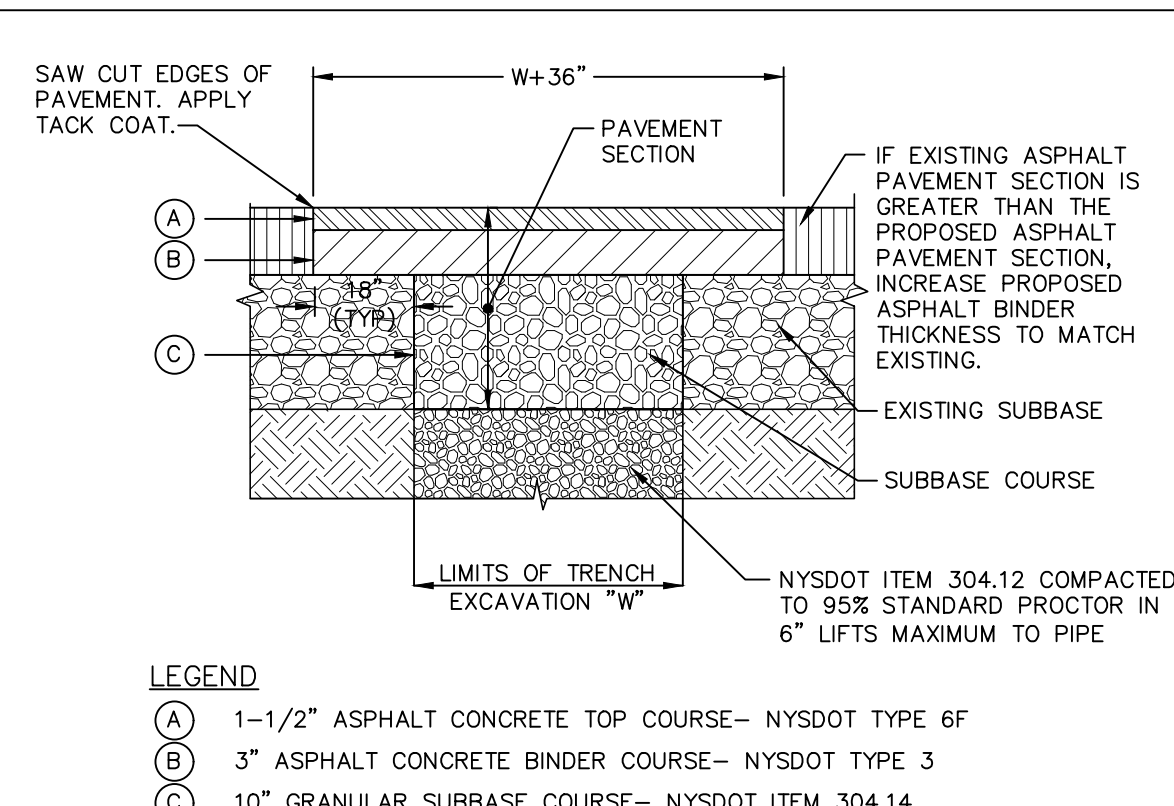
WATER SERVICE CONNECTION DETAIL
NOT TO SCALE



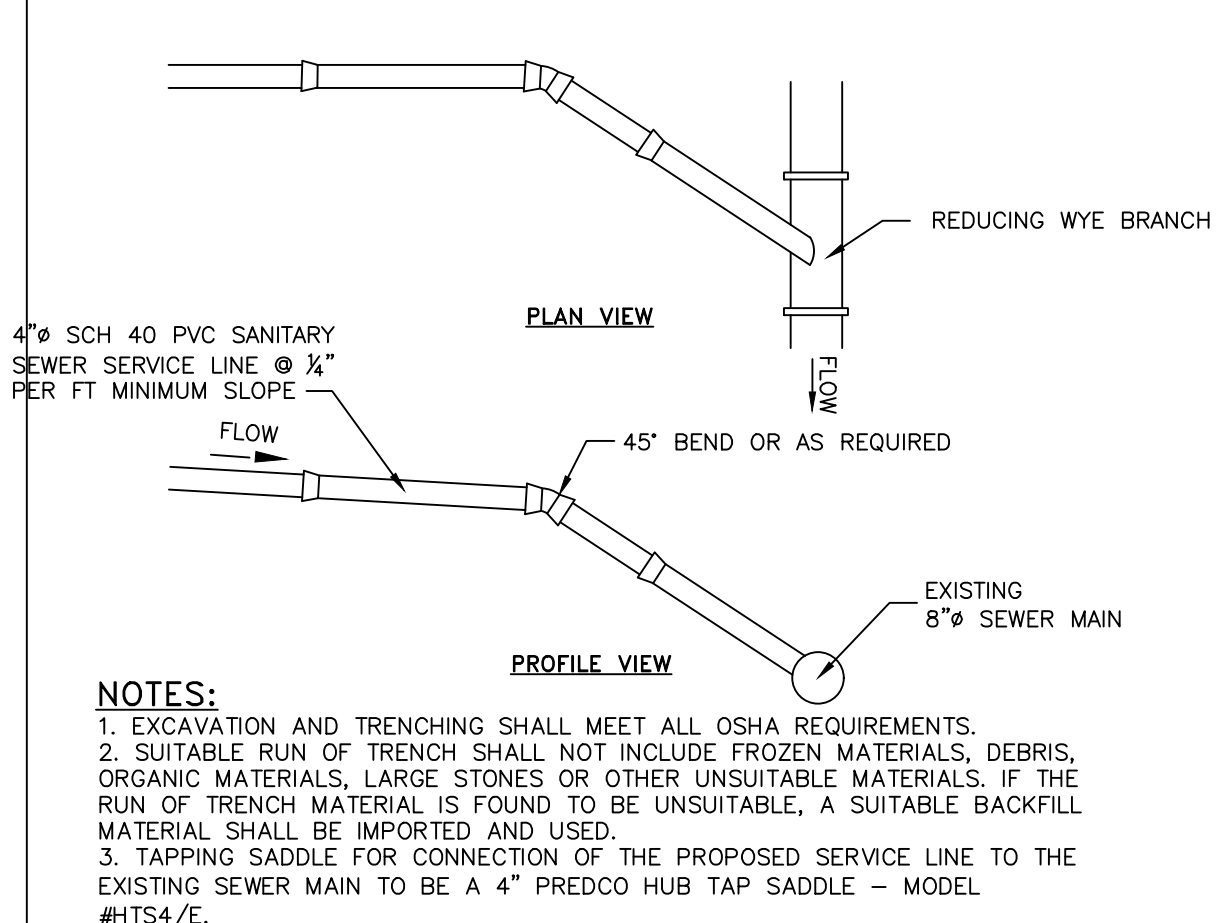
WATER SHUT-OFF VALVE DETAIL
NOT TO SCALE



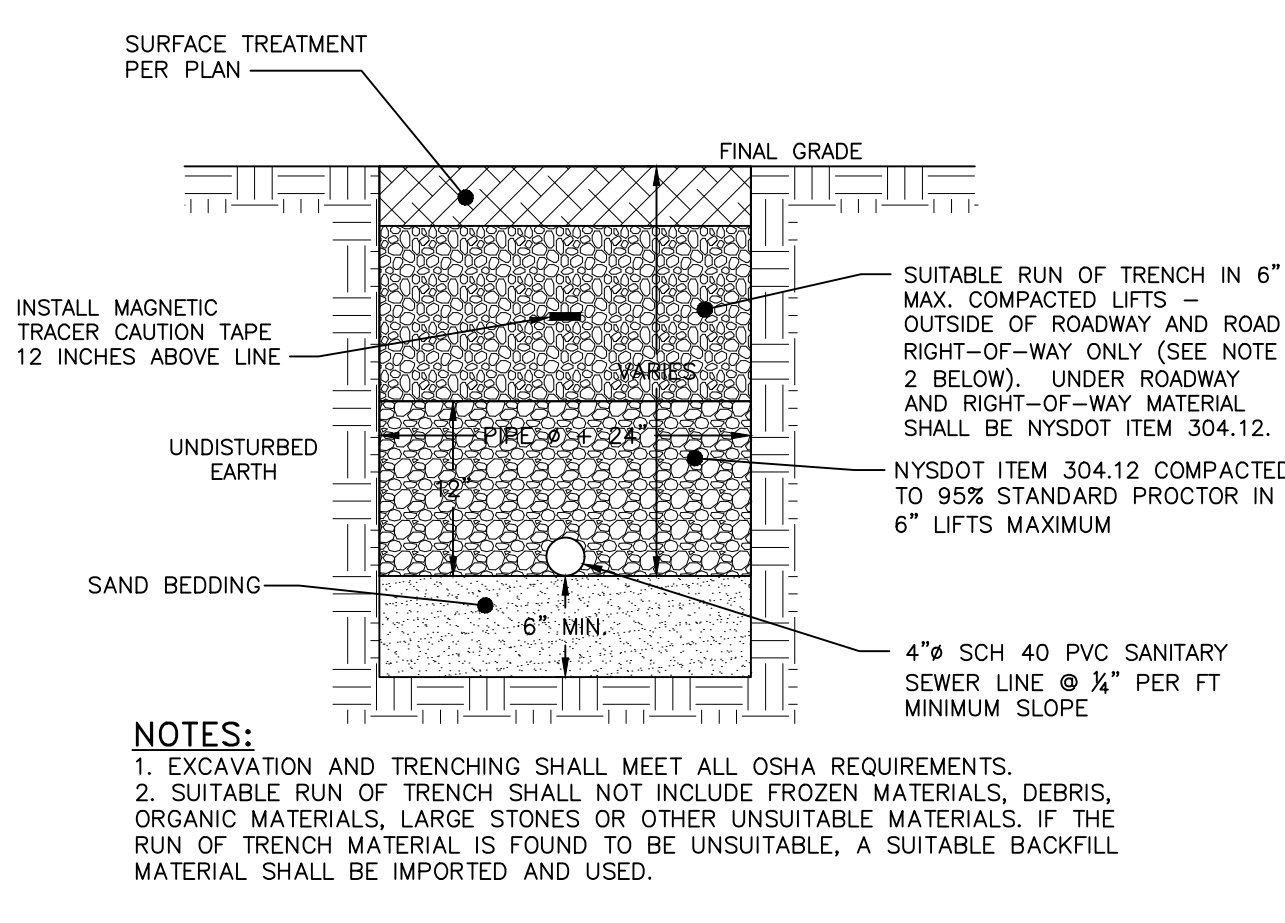
WATER SERVICE LINE TRENCH DETAIL
NOT TO SCALE



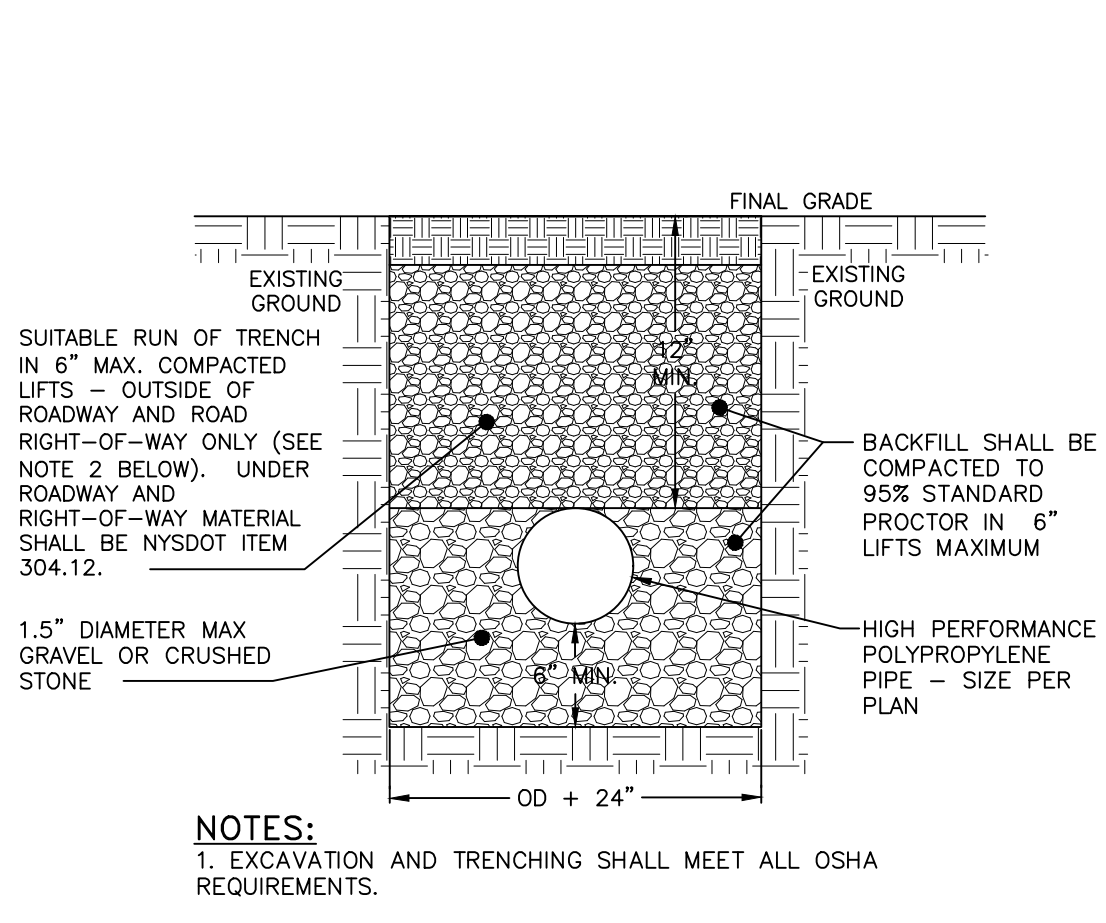
PAVEMENT RESTORATION DETAIL
NOT TO SCALE



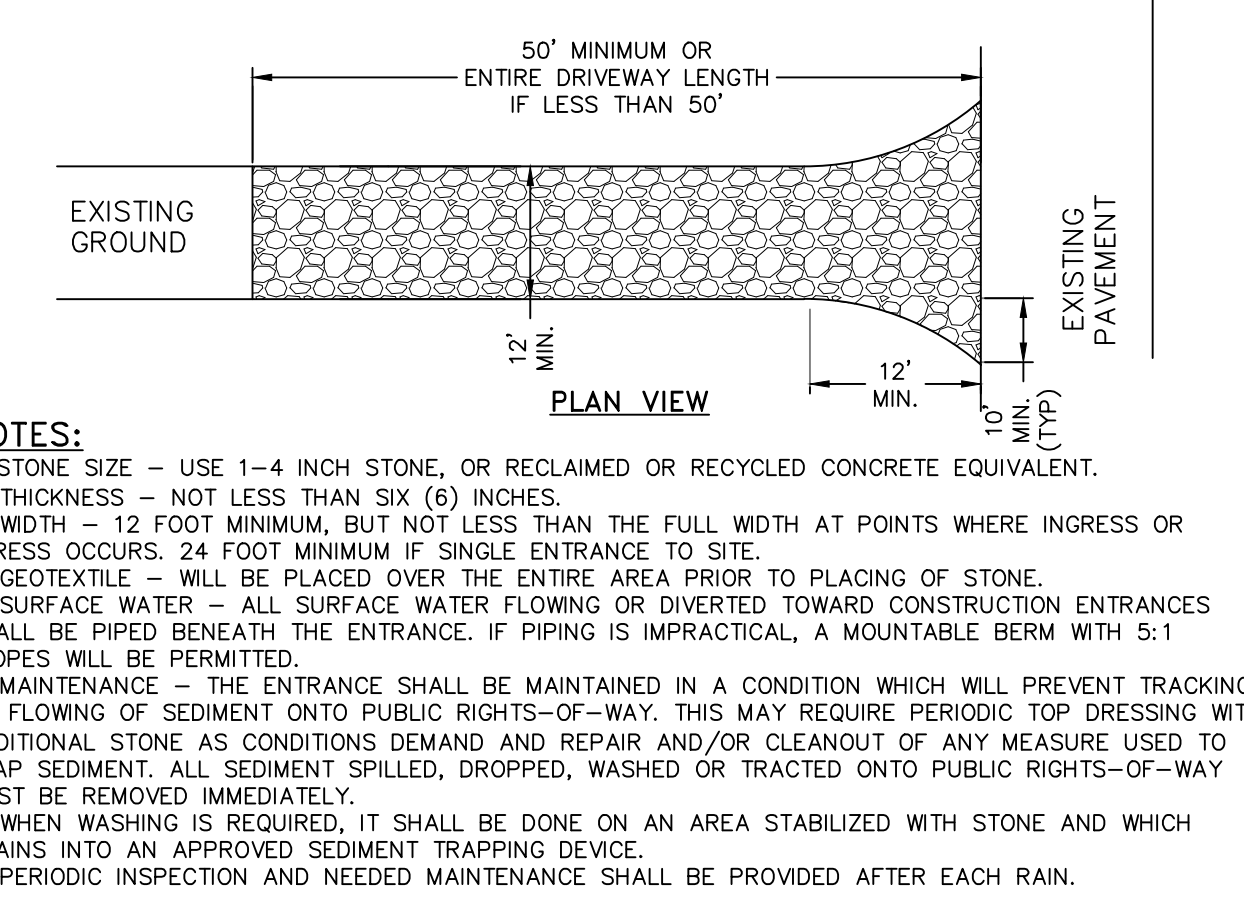
SANITARY SEWER SERVICE CONNECTION DETAIL
NOT TO SCALE



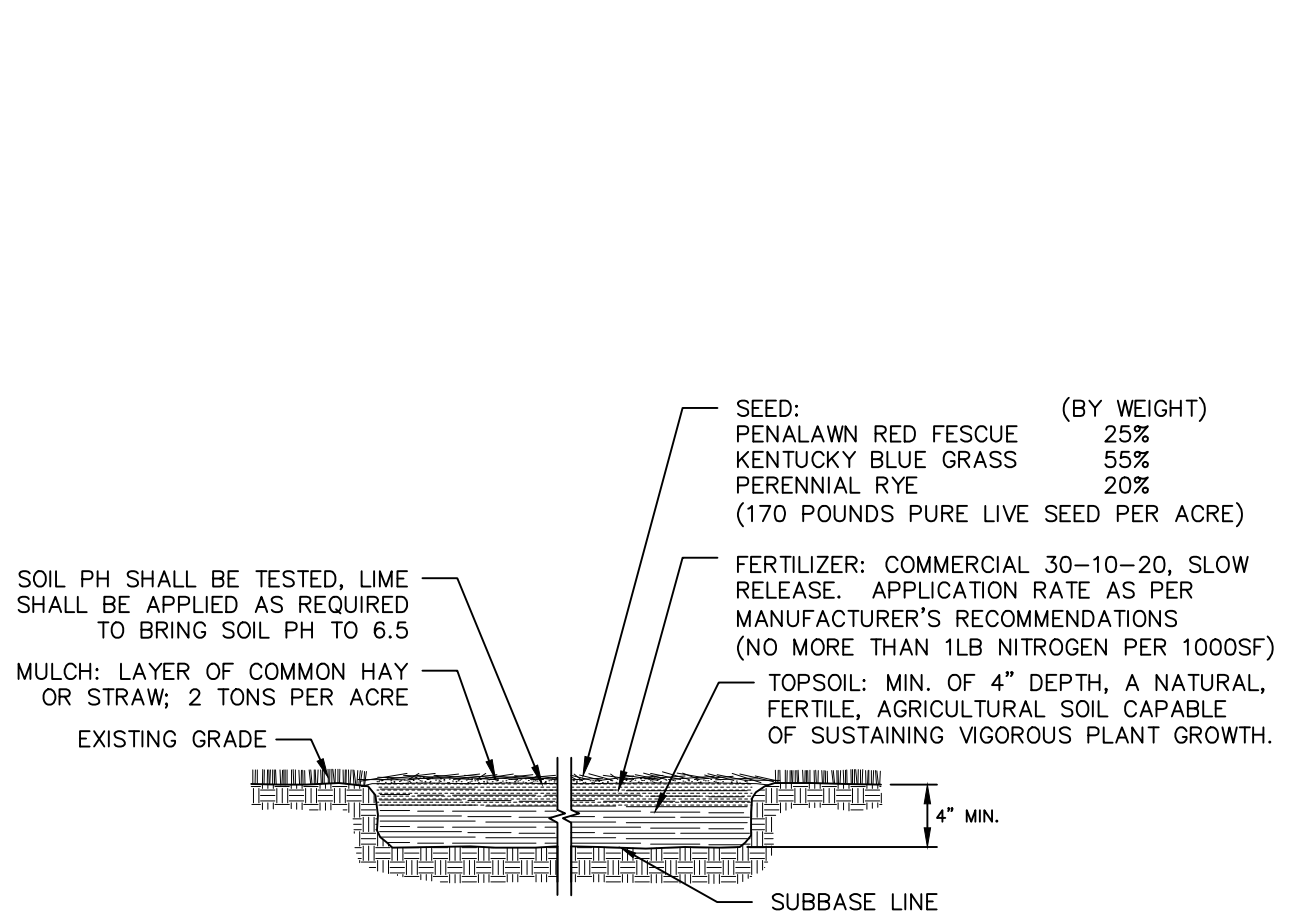
SANITARY SEWER SERVICE TRENCH DETAIL
NOT TO SCALE



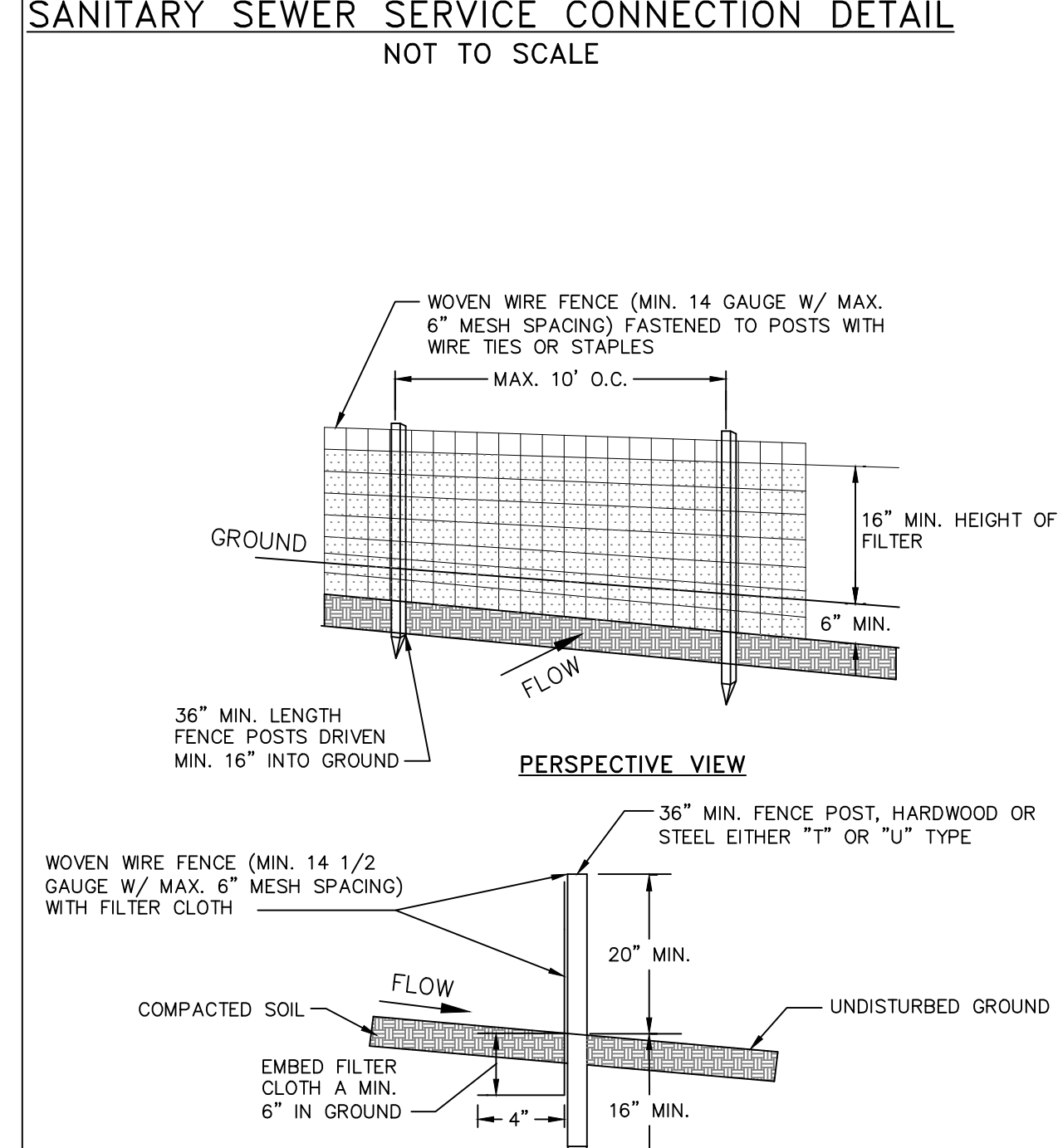
STORM LINE TRENCH DETAIL
NOT TO SCALE



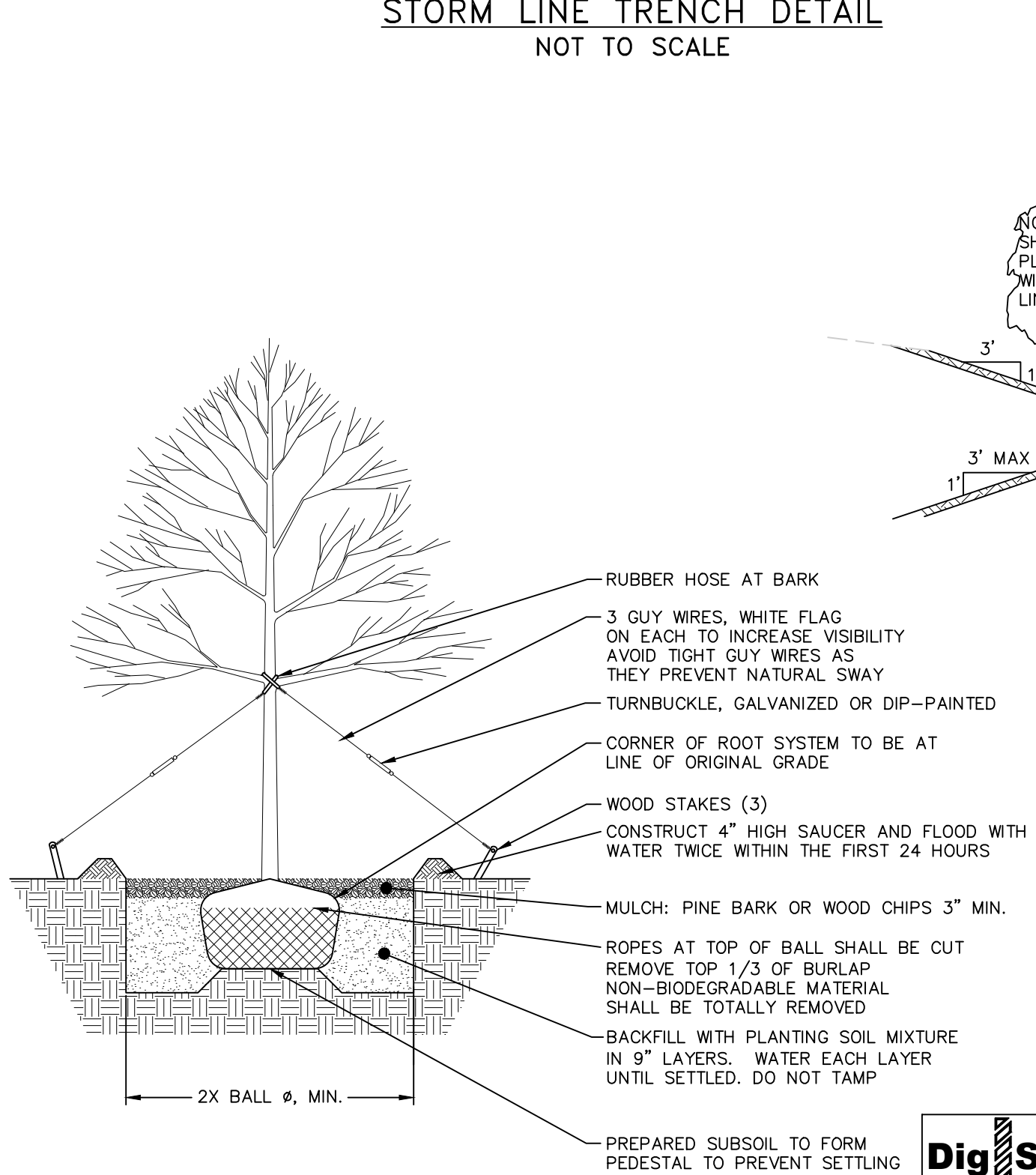
STABILIZED CONSTRUCTION ENTRANCE DETAIL
NOT TO SCALE



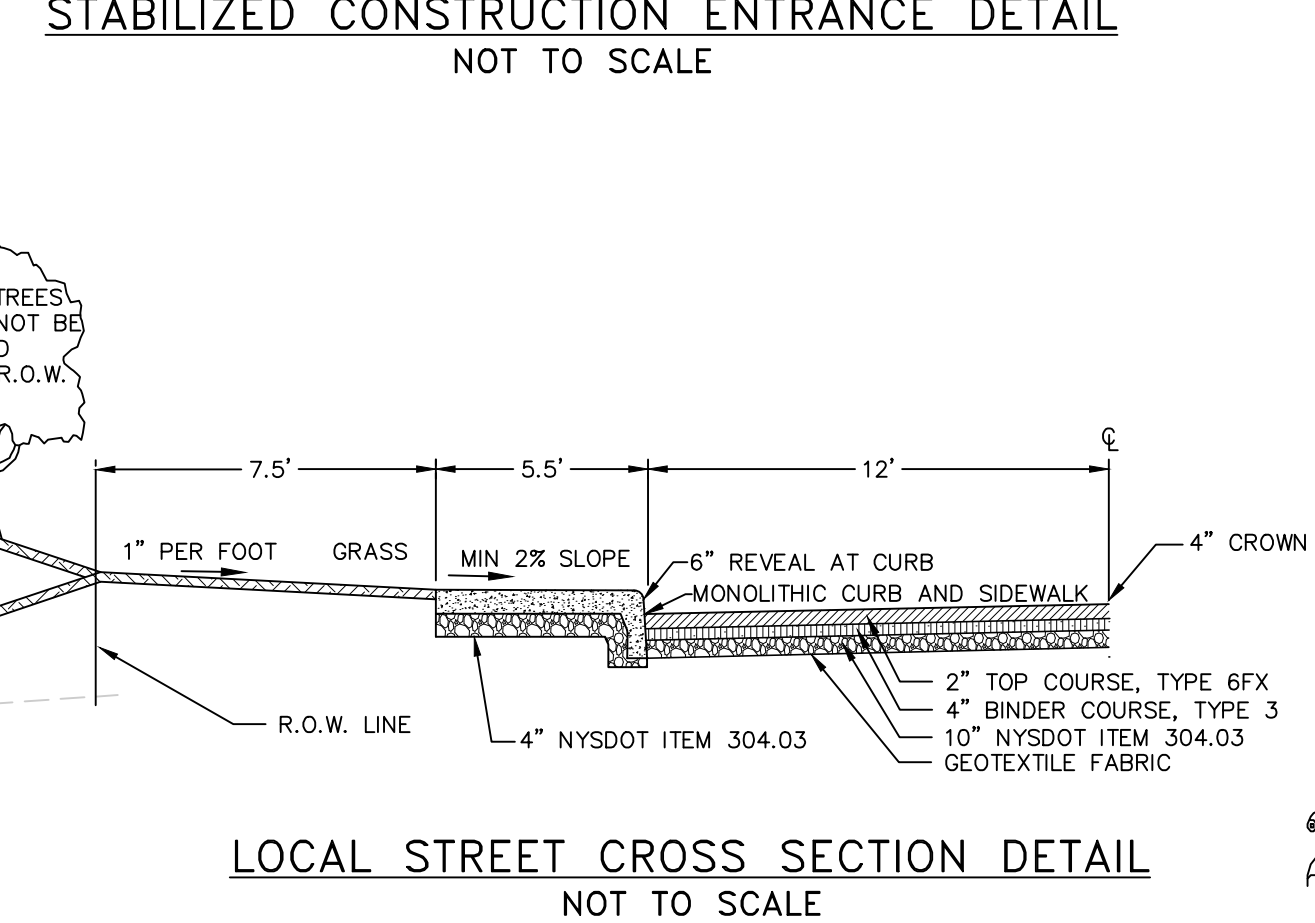
TOPSOIL SEED, FERTILIZER AND MULCH DETAIL
NOT TO SCALE



SILT FENCE DETAIL
NOT TO SCALE



STREET TREE DETAIL
NOT TO SCALE



LOCAL STREET CROSS SECTION DETAIL
NOT TO SCALE

SUBDIVISION DETAILS
25 TOWNSEND STREET

25 TOWNSEND STREET
CITY OF BEACON
DUTCHESS COUNTY, NEW YORK
TAX ID: 8055-03-383149
SCALE: AS SHOWN
DECEMBER 7, 2015

HUDSON LAND DESIGN
PROFESSIONAL ENGINEERING P.C.
174 MAIN STREET
BEACON, NEW YORK 12508
PH: 845-440-6926 F: 845-440-6637

SEAL
JON D. BODENDORF, P.E.
NYS LICENSE NO. 076245
DANIEL G. KOEHLER, P.E.
NYS LICENSE NO. 082716

SHEET: 4 OF 4

DRAWN BY: JDB CHECKED BY: MAB JOB NO.: 2015-025			
REVISIONS:			
NO.	DATE	DESCRIPTION	BY
1	05/31/16	PER PLANNING BOARD COMMENTS	CMB
2	07/25/17	PER PLANNING BOARD COMMENTS	JDB

Dig Safely
New York
800-962-7962
www.digsafelynewyork.org

- Call Before You Dig
- Wait The Required Time
- Confirm Utility Response
- Respect The Marks
- Dig With Care