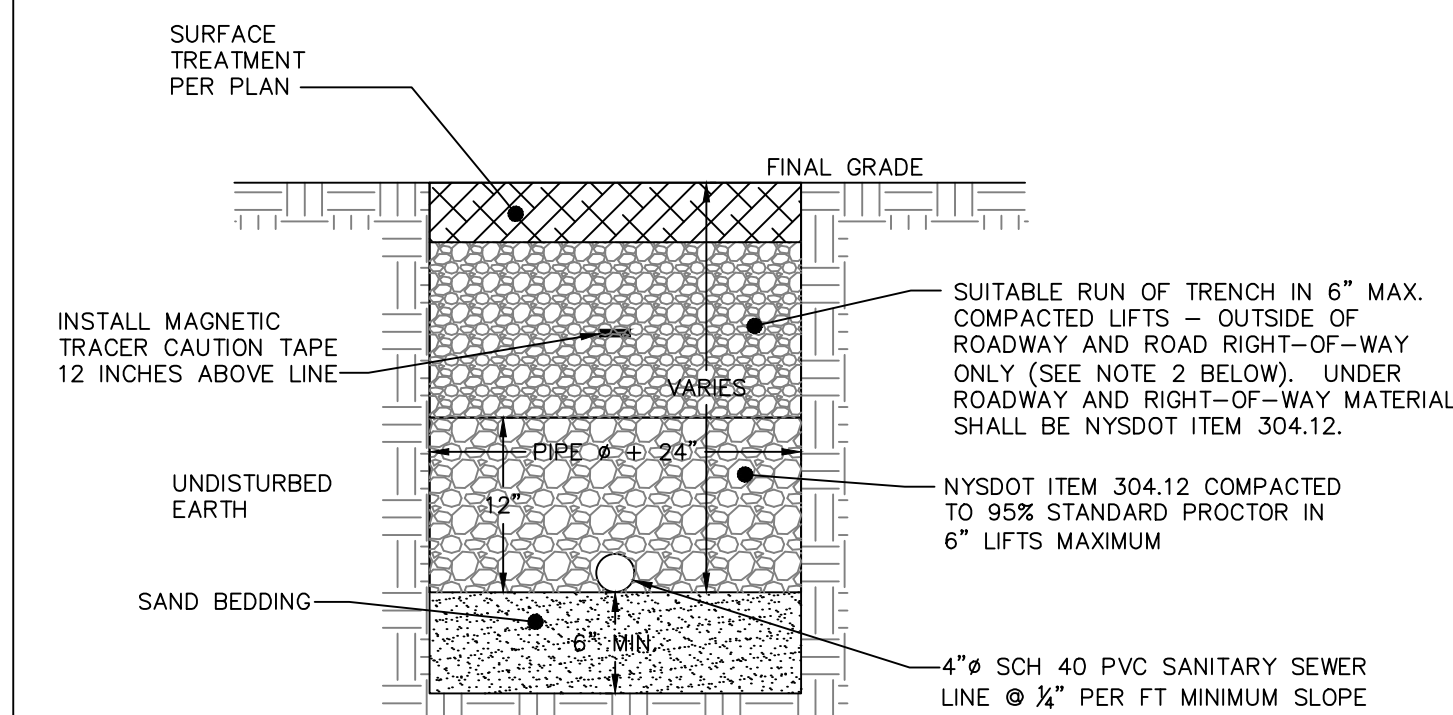
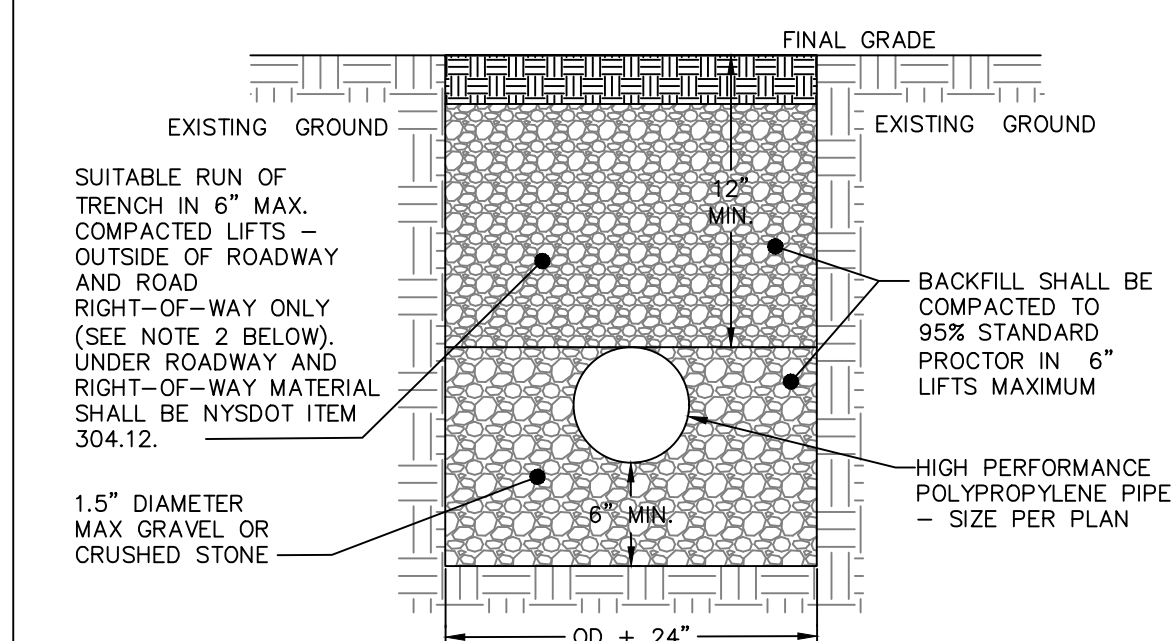


**PAVED DRIVEWAY SECTION DETAIL**  
NOT TO SCALE



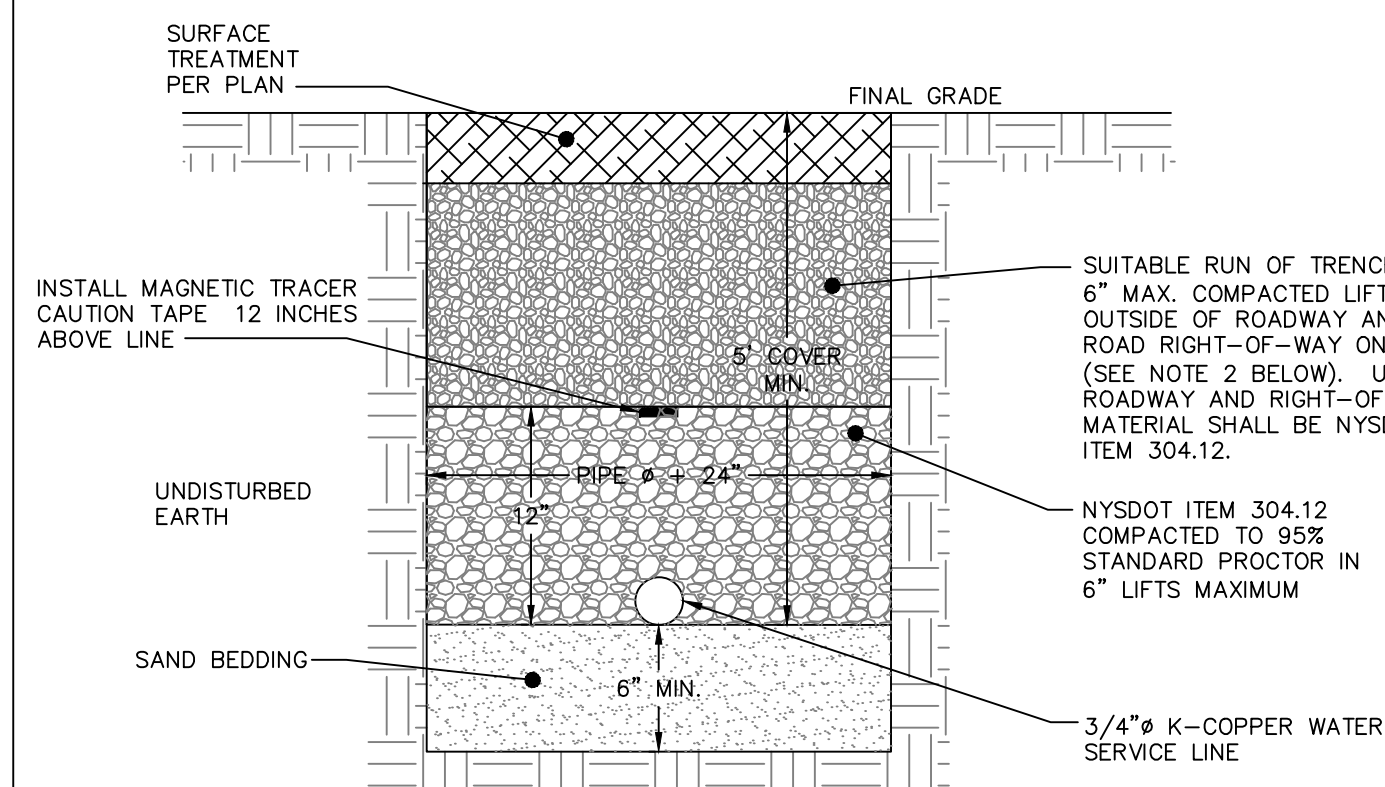
**NOTES:**  
1. EXCAVATION AND TRENCHING SHALL MEET ALL OSHA REQUIREMENTS.  
2. SUITABLE RUN OF TRENCH SHALL NOT INCLUDE FROZEN MATERIALS, DEBRIS, ORGANIC MATERIALS, LARGE STONES OR OTHER UNSUITABLE MATERIALS. IF THE RUN OF TRENCH MATERIAL IS FOUND TO BE UNSUITABLE, A SUITABLE BACKFILL MATERIAL SHALL BE IMPORTED AND USED.

**SANITARY SEWER SERVICE TRENCH DETAIL**  
NOT TO SCALE



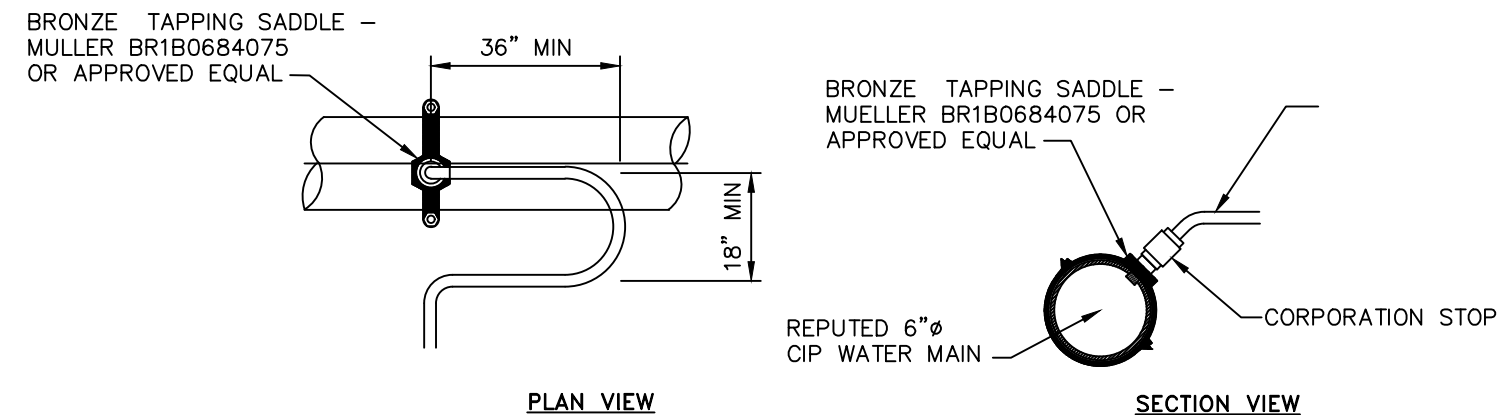
**NOTES:**  
1. EXCAVATION AND TRENCHING SHALL MEET ALL OSHA REQUIREMENTS.

**STORM LINE TRENCH DETAIL**  
NOT TO SCALE



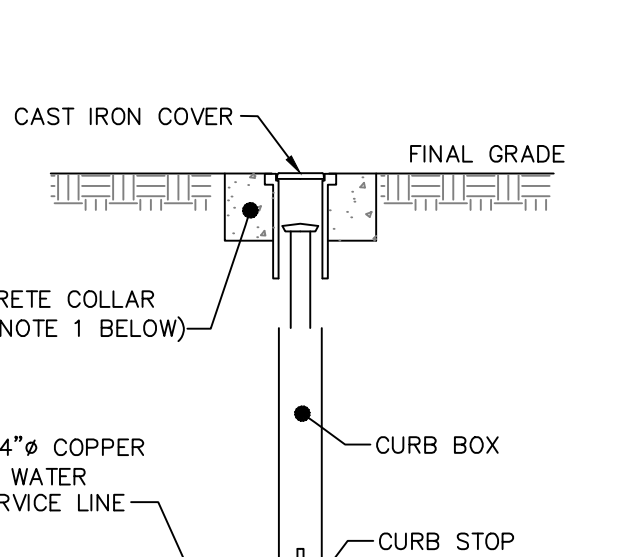
**NOTES:**  
1. EXCAVATION AND TRENCHING SHALL MEET ALL OSHA REQUIREMENTS.  
2. SUITABLE RUN OF TRENCH SHALL NOT INCLUDE FROZEN MATERIALS, DEBRIS, ORGANIC MATERIALS, LARGE STONES OR OTHER UNSUITABLE MATERIALS. IF THE RUN OF TRENCH MATERIAL IS FOUND TO BE UNSUITABLE, A SUITABLE BACKFILL MATERIAL SHALL BE IMPORTED AND USED.  
3. IN AREAS WHERE 5' COVER REQUIREMENT CANNOT BE MET, THE CONTRACTOR SHALL PROVIDE PIPE INSULATION TO PREVENT FREEZING.  
4. IF WATER SERVICE AND SEWER SERVICE LINE CROSSINGS ARE NEEDED, PROVIDE 18" OF VERTICAL SEPARATION

**WATER SERVICE LINE TRENCH DETAIL**  
NOT TO SCALE



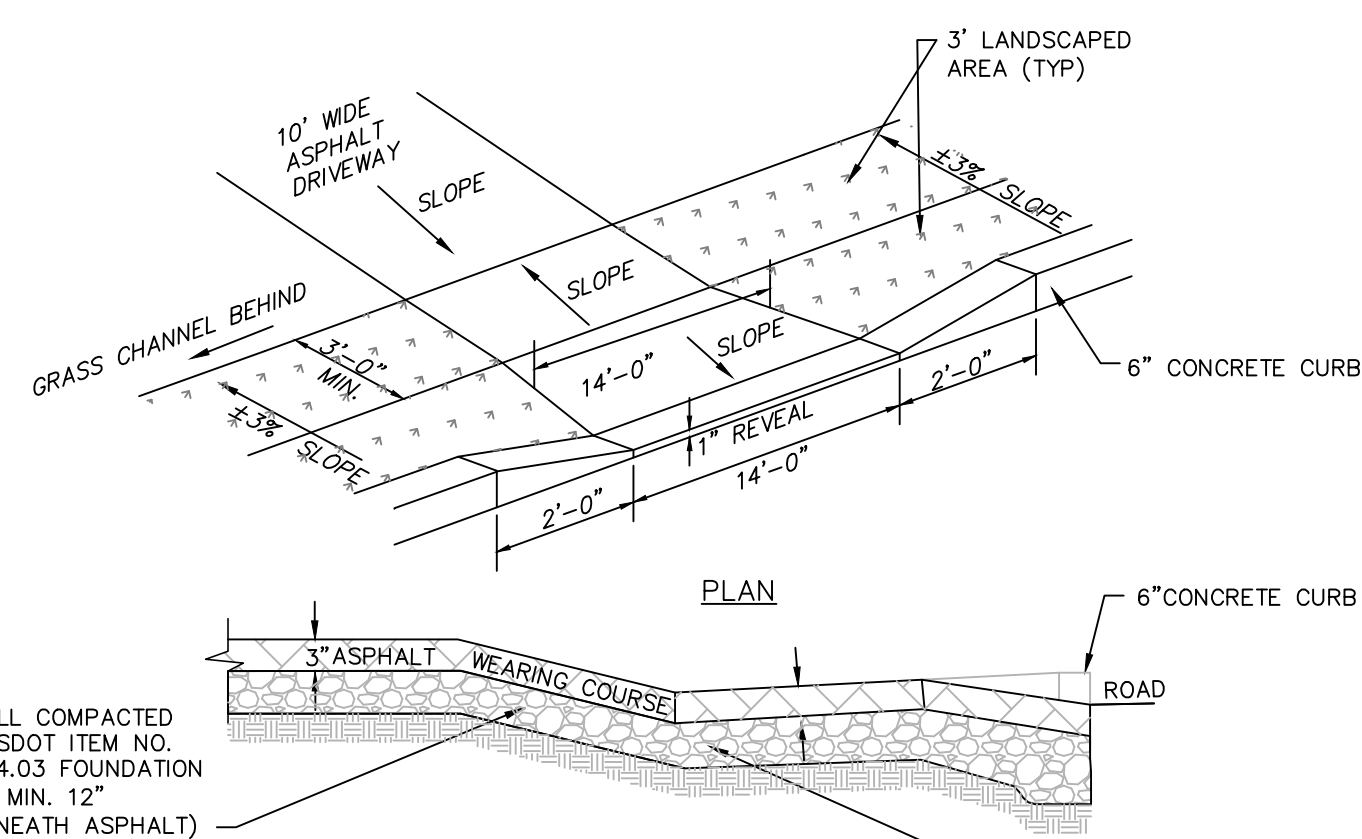
**NOTES:**  
1. A MINIMUM 5' COVER SHALL BE PROVIDED ON THE WATER SERVICE LINE (CONDITIONED ON ACTUAL WATER MAIN DEPTH).  
2. CORPORATION STOP TO BE COMPRESSION TYPE BY MUELLER.  
3. WATER SERVICE LINE TO HAVE A 'GOOSENECK' NEAR CORPORATION STOP.  
4. CORPORATION STOP TO BE INSTALLED IN THE UPPER HALF OF THE WATER MAIN AT AN ANGLE OF APPROXIMATELY 45° FROM HORIZONTAL.  
5. THE CONTRACTOR SHALL INSTALL A FULL BODIED STAINLESS STEEL TAPPING SLEEVE AT THE PROPOSED WATER SERVICE LOCATION.

**WATER SERVICE CONNECTION DETAIL**  
NOT TO SCALE



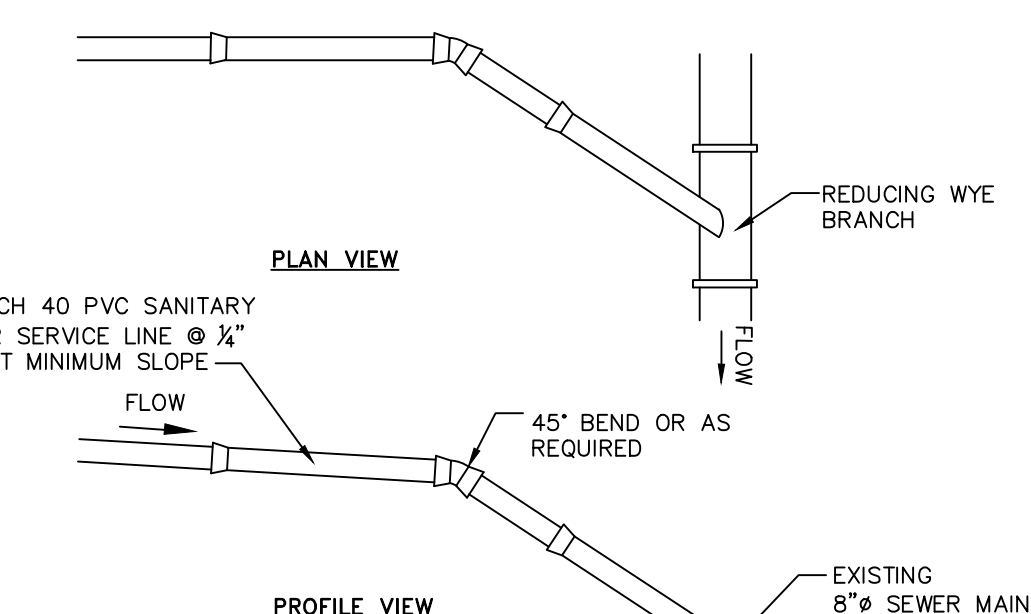
**NOTES:**  
1. CONCRETE COLLAR TO BE PROVIDED IN AREAS THAT ARE NOT PAVED. THE COLLAR SHALL BE 6" FROM THE COVER AND SHALL EXTEND 6" BELOW FINAL GRADE.  
2. CURB STOP TO BE COMPRESSION TYPE BY MUELLER.  
3. AREA AROUND CURB BOX TO BE BACKFILLED WITH GRAVELLY MATERIAL.

**WATER SHUT-OFF VALVE DETAIL**  
NOT TO SCALE



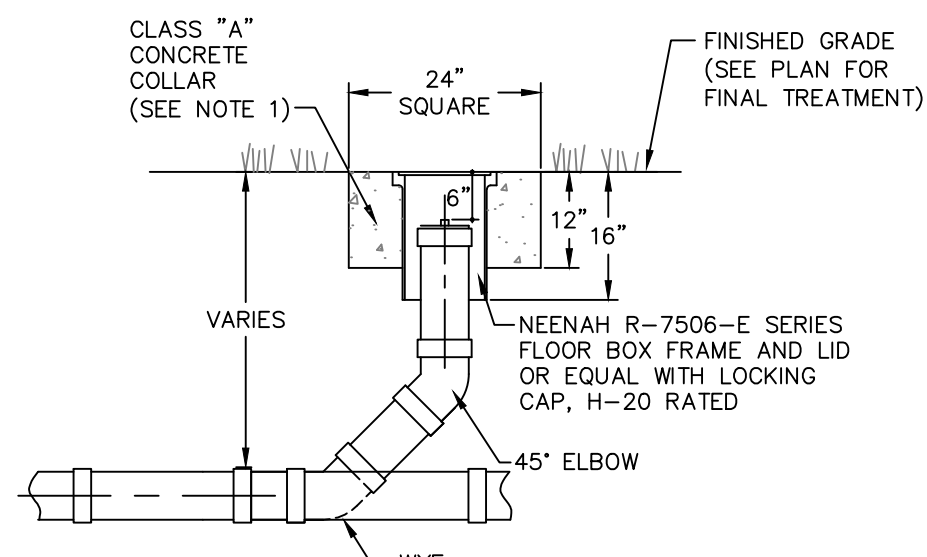
**NOTE:**  
1. RESEED AND STABILIZE GRASS AREAS AFTER ASPHALT INSTALLATION

**DRIVEWAY ENTRANCE DETAIL**  
NOT TO SCALE



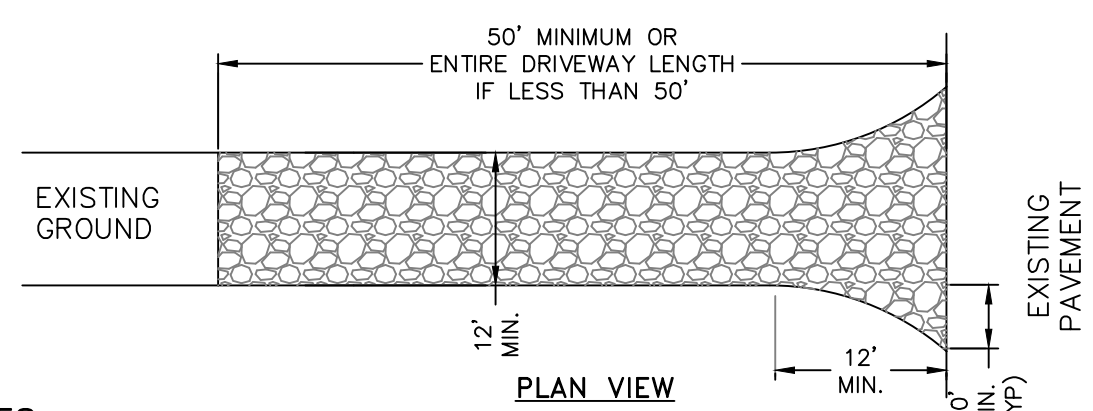
**NOTES:**  
1. EXCAVATION AND TRENCHING SHALL MEET ALL OSHA REQUIREMENTS.  
2. SUITABLE RUN OF TRENCH SHALL NOT INCLUDE FROZEN MATERIALS, DEBRIS, ORGANIC MATERIALS, LARGE STONES OR OTHER UNSUITABLE MATERIALS. IF THE RUN OF TRENCH MATERIAL IS FOUND TO BE UNSUITABLE, A SUITABLE BACKFILL MATERIAL SHALL BE IMPORTED AND USED.  
3. TAPPING SADDLE FOR CONNECTION OF THE PROPOSED SERVICE LINE TO THE EXISTING SEWER MAIN TO BE A 4" PREDCO HUB TAP SADDLE - MODEL #HTS4/E.

**SANITARY SEWER SERVICE CONNECTION DETAIL**  
NOT TO SCALE



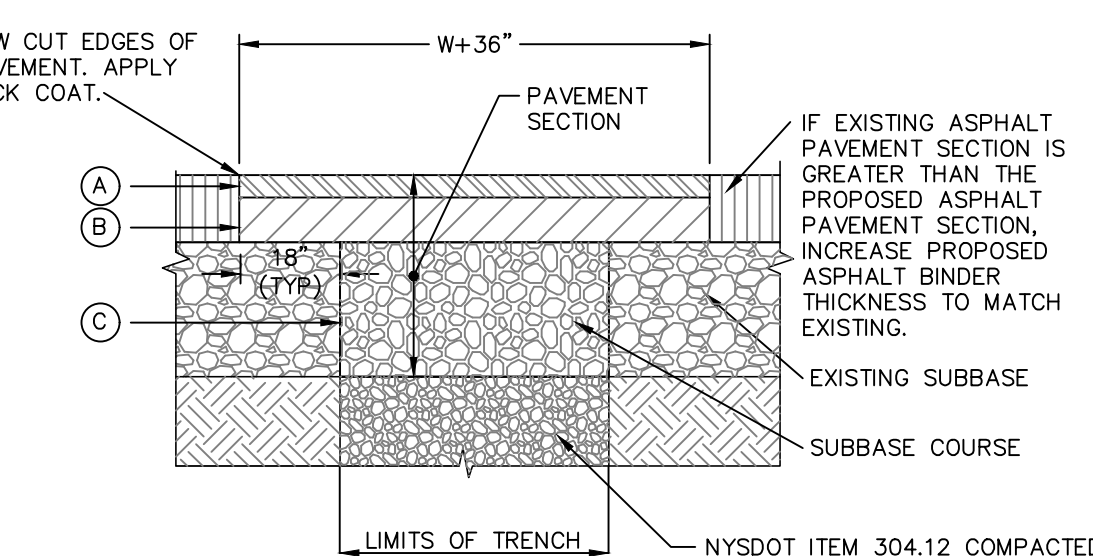
**NOTES:**  
1. CONCRETE COLLAR TO BE PROVIDED IN AREAS THAT ARE NOT PAVED. THE COLLAR SHALL BE 6" FROM THE COVER AND SHALL EXTEND 6" BELOW FINAL GRADE.

**CLEANOUT DETAIL**  
NOT TO SCALE



**NOTES:**  
1. STONE SIZE - USE 1-4 INCH STONE, OR RECLAIMED OR RECYCLED CONCRETE EQUIVALENT.  
2. THICKNESS - NOT LESS THAN SIX (6) INCHES.  
3. WIDTH - 12 FOOT MINIMUM, BUT NOT LESS THAN THE FULL WIDTH AT POINTS WHERE INGRESS OR EGRESS OCCURS. 24 FOOT MINIMUM IF SINGLE ENTRANCE TO SITE.  
4. GEOTEXTILE - WILL BE PLACED OVER THE ENTIRE AREA PRIOR TO PLACING OF STONE.  
5. SURFACE WATER - ALL SURFACE WATER FLOWING OR DIVERTED TOWARD CONSTRUCTION ENTRANCES SHALL BE PIPED BENEATH THE ENTRANCE. IF PIPING IS IMPRACTICAL, A MOUNTABLE BERM WITH 5:1 SLOPES WILL BE PERMITTED.  
6. MAINTENANCE - THE ENTRANCE SHALL BE MAINTAINED IN A CONDITION WHICH WILL PREVENT TRACKING OR FLOWING OF SEDIMENT ONTO PUBLIC RIGHTS-OF-WAY. THIS MAY REQUIRE PERIODIC TOP DRESSING WITH ADDITIONAL STONE AS CONDITIONS DEMAND AND REPAIR AND/OR CLEANOUT OF ANY MEASURE USED TO TRAP SEDIMENT. ALL SEDIMENT SPILLED, DROPPED, WASHED OR TRACKED ONTO PUBLIC RIGHTS-OF-WAY MUST BE REMOVED IMMEDIATELY.  
7. WHEN WASHING IS REQUIRED, IT SHALL BE DONE ON AN AREA STABILIZED WITH STONE AND WHICH DRAINS INTO AN APPROVED SEDIMENT TRAPPING DEVICE.  
8. PERIODIC INSPECTION AND NEEDED MAINTENANCE SHALL BE PROVIDED AFTER EACH RAIN.

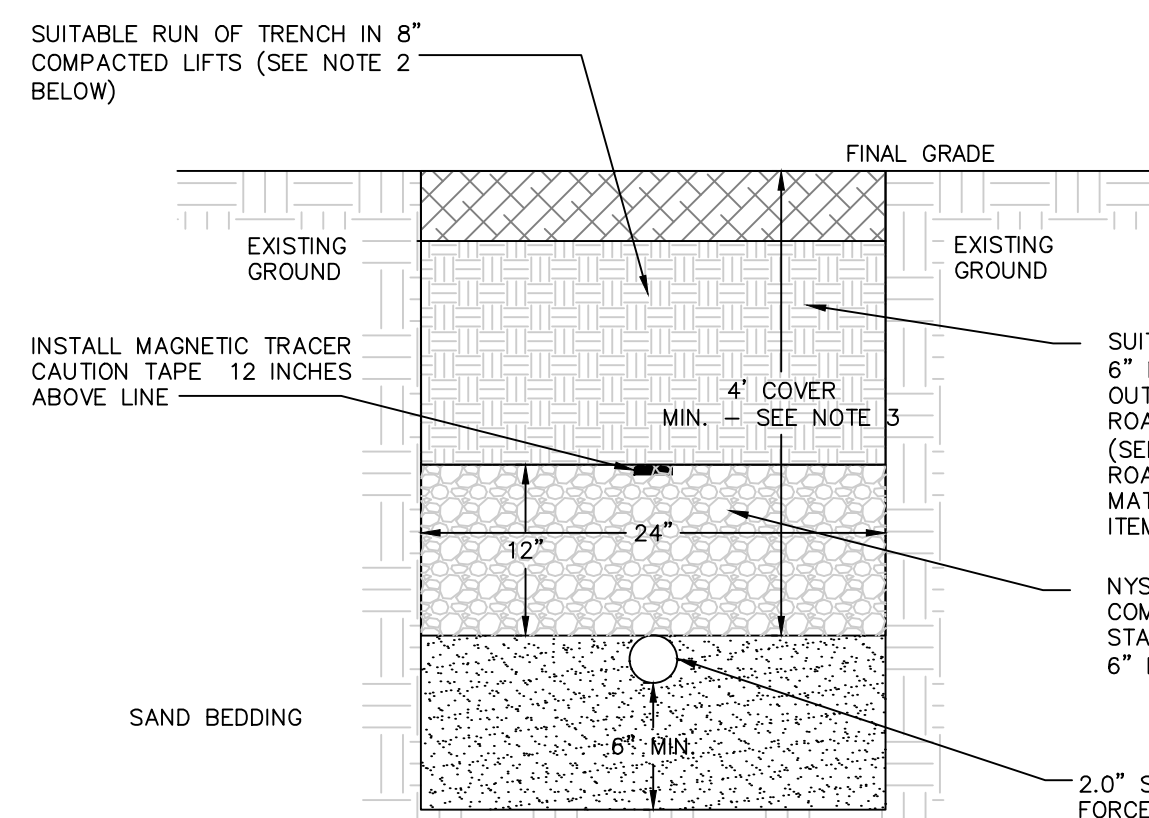
**STABILIZED CONSTRUCTION ENTRANCE DETAIL**  
NOT TO SCALE



**LEGEND**  
(A) 1-1/2" ASPHALT CONCRETE TOP COURSE- NYS DOT TYPE 6F  
(B) 3.5" ASPHALT CONCRETE BINDER COURSE- NYS DOT TYPE 3  
(C) 10" GRANULAR SUBBASE COURSE- NYS DOT ITEM 304.12

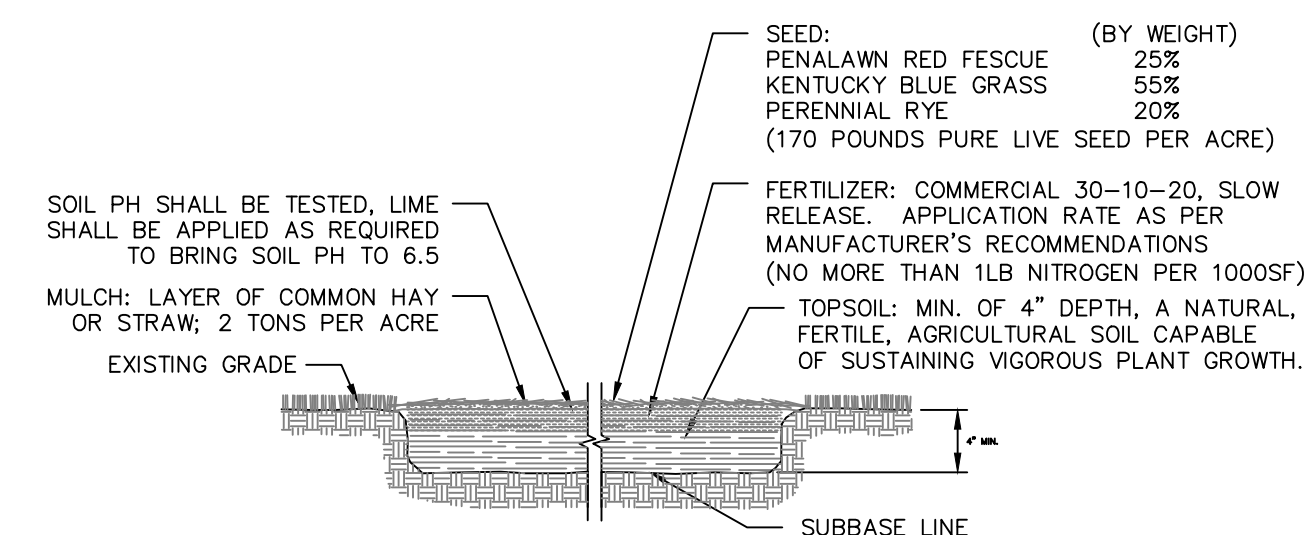
**NOTES:**  
1. SAW CUT MIN. 18" BEYOND EXCAVATION WITH SMOOTH EDGES. 18" JOINT BETWEEN EXISTING AND NEW TOP COURSE TO BE MILLED. JOINT TO BE SEALED WITH POLYMER MODIFIED SEALER.  
2. FURNISH, PLACE, AND COMPACT SUBBASE.  
3. TACK COAT IN ACCORDANCE WITH NYS DOT STANDARD SPEC.  
4. FURNISH AND PLACE ASPHALT CONCRETE PAVEMENT AS SPECIFIED.

**PAVEMENT RESTORATION DETAIL**  
NOT TO SCALE

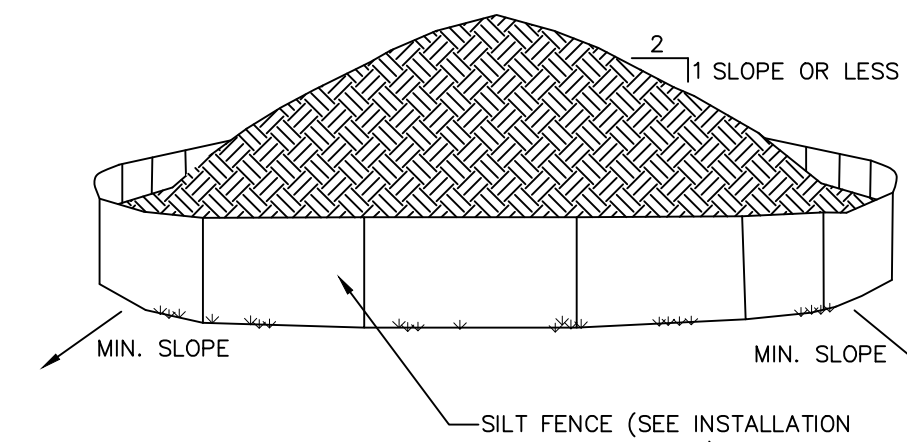


**NOTES:**  
1. EXCAVATION AND TRENCHING SHALL MEET ALL OSHA REQUIREMENTS.  
2. SUITABLE RUN OF TRENCH SHALL NOT INCLUDE FROZEN MATERIALS, DEBRIS, ORGANIC MATERIALS, ENLARGED PARTICLES, LARGE STONES OR OTHER UNSUITABLE MATERIALS. IF THE RUN OF TRENCH MATERIAL IS FOUND TO BE UNSUITABLE, A SUITABLE BACKFILL MATERIAL SHALL BE IMPORTED AND USED.  
3. FOR PORTIONS OF FORCE MAIN THAT DRAIN BACK TO PUMP CHAMBER, COVER DEPTH CAN BE LESS THAN 4'.

**SEWER FORCEMAIN TRENCH DETAIL**  
NOT TO SCALE

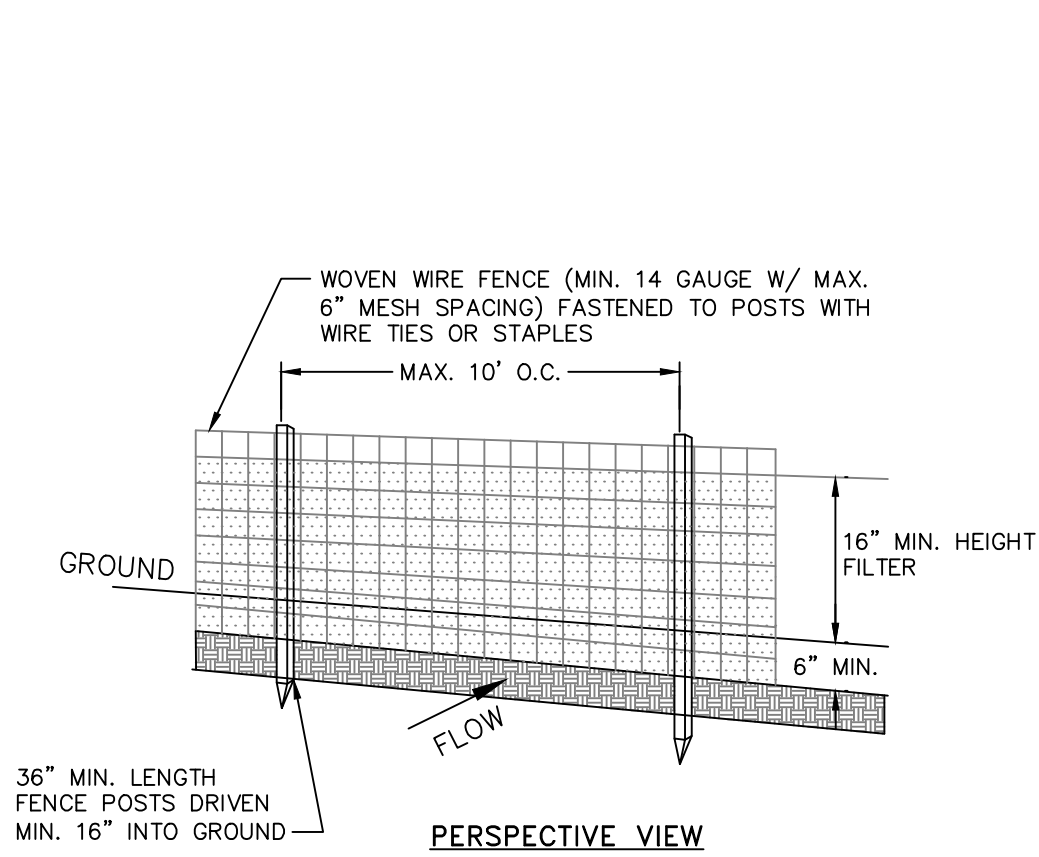


**TOPSOIL SEED, FERTILIZER AND MULCH DETAIL**  
NOT TO SCALE



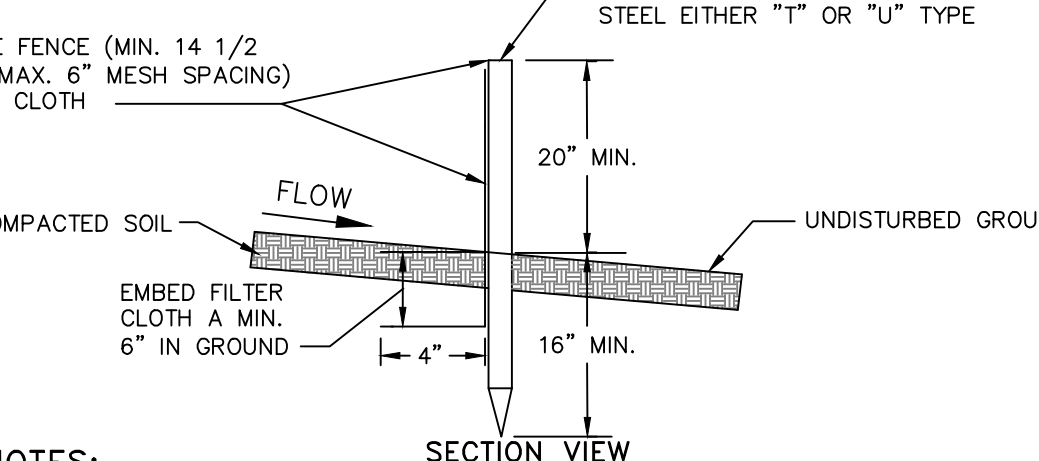
**NOTES:**  
1. AREA CHOSEN FOR STOCKPILING OPERATIONS SHALL BE DRY AND STABLE.  
2. EACH PILE SHALL BE SURROUNDED WITH SILT FENCING, THEN STABILIZED WITH VEGETATION OR COVERED.

**TEMPORARY SOIL STOCKPILE DETAIL**  
NOT TO SCALE



**NOTES:**  
1. REFER TO THE PLANS FOR TREES TO REMAIN. NOT ALL TREES TO REMAIN REQUIRE PROTECTION. TREE PROTECTION TO BE UTILIZED ON TREES WHERE CONSTRUCTION TRAFFIC WOULD COMPACT THE ROOT ZONE OF THE TREE.

**TEMPORARY TREE PROTECTION DETAIL**  
NOT TO SCALE



**NOTES:**  
1. FILTER CLOTH TO BE FASTENED SECURELY TO WOVEN WIRE FENCE WITH TIES SPACED EVERY 24" AT TOP AND MID SECTION.  
2. WHEN TWO SECTIONS OF FILTER CLOTH ADJOIN EACH OTHER THEY SHALL BE OVER-LAPPED BY SIX INCHES AND FOLDED. FILTER CLOTH SHALL BE EITHER FILTER X, MIRAFI 100X, STABILINKA T140N OR APPROVED EQUAL.  
3. PREFABRICATED UNITS SHALL BE GEOTAB, ENVROFENCE OR APPROVED EQUAL.  
4. MAINTENANCE SHALL BE PERFORMED AS NEEDED AND MATERIAL REMOVED WHEN 'BULGES' DEVELOP IN THE SILT FENCE.

**SILT FENCE DETAIL**  
NOT TO SCALE

**CONSTRUCTION DETAILS**  
**17 WILSON STREET**

17 WILSON ST  
CITY OF BEACON  
DUTCHESS COUNTY, NEW YORK  
TAX ID: 6054-24-469931  
AS NOTED  
MAY 30, 2017

**HUDSON LAND DESIGN**  
PROFESSIONAL ENGINEERING P.C.  
174 MAIN STREET  
BEACON, NEW YORK 12508  
PH: 845-440-6926 F: 845-440-6637



SEAL  
JON D. BODENDORF, P.E.  
NYS LICENSE NO. 076245  
DANIEL G. KOHLER, P.E.  
NYS LICENSE NO. 082716

DRAWN BY: CMB		CHECKED BY: JDB		JOB NO.: 2017-017	
REVISIONS:					
NO.	DATE	DESCRIPTION	BY		
1	7/25/17	PER CONSULTANT REVIEW	JDB		