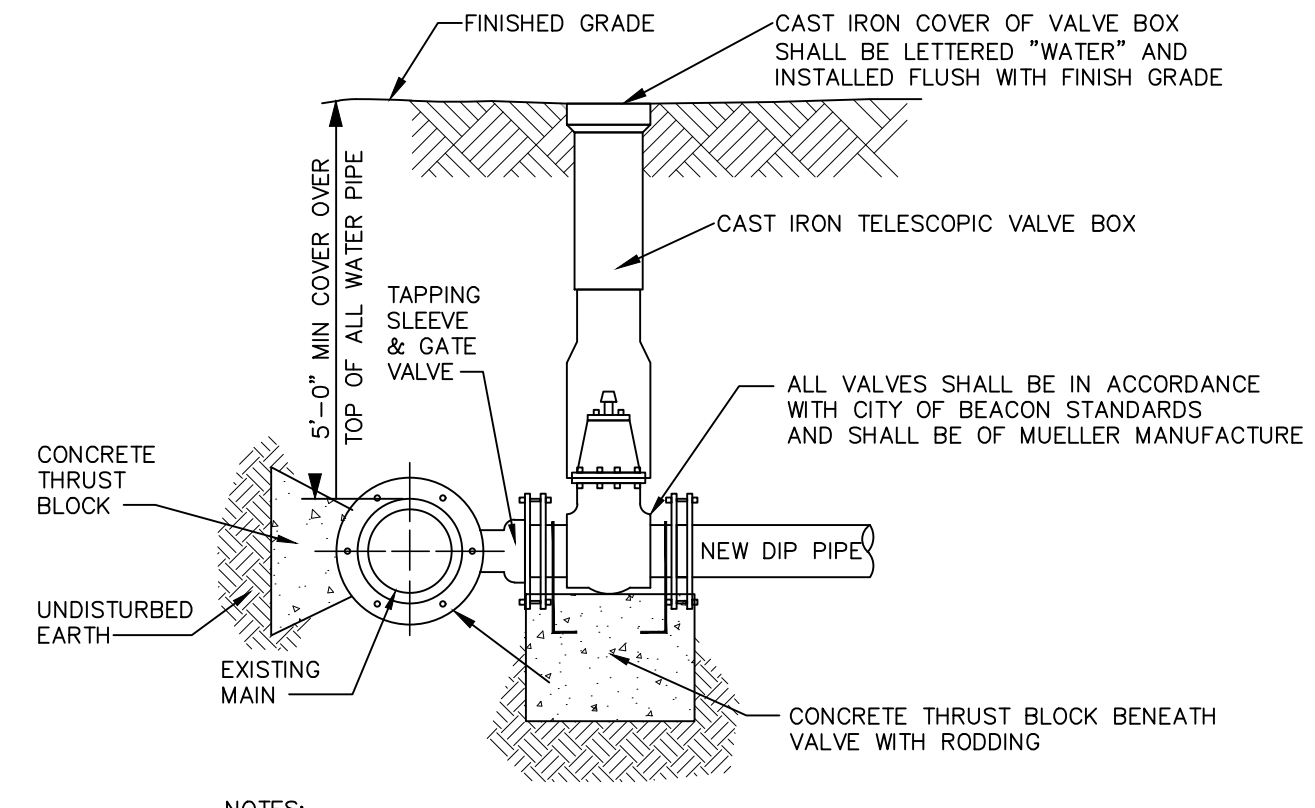


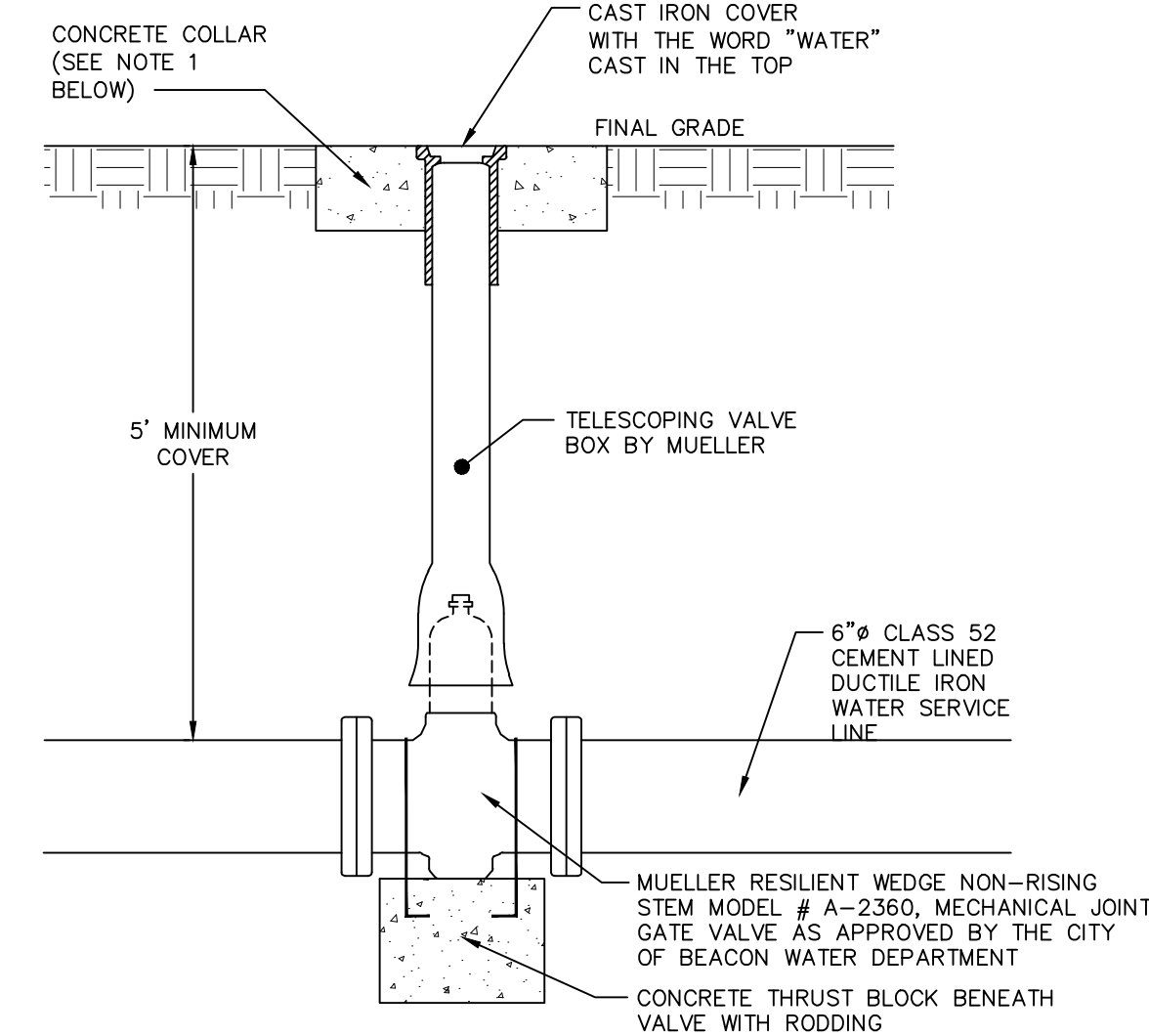
- NOTES:**
- EXCAVATION AND TRENCHING SHALL MEET ALL OSHA REQUIREMENTS.
 - SUITABLE RUN OF TRENCH SHALL NOT INCLUDE FROZEN MATERIALS, DEBRIS, ORGANIC MATERIALS, ENLARGED PARTICLES, LARGE STONES OR OTHER UNSUITABLE MATERIALS. IF THE RUN OF TRENCH MATERIAL IS FOUND TO BE UNSUITABLE, A SUITABLE BACKFILL MATERIAL SHALL BE IMPORTED AND USED.
 - IN AREAS WHERE 5' COVER REQUIREMENT CANNOT BE MET, THE CONTRACTOR SHALL PROVIDE PIPE INSULATION TO PREVENT FREEZING.

WATER SERVICE LINE TRENCH DETAIL
NOT TO SCALE



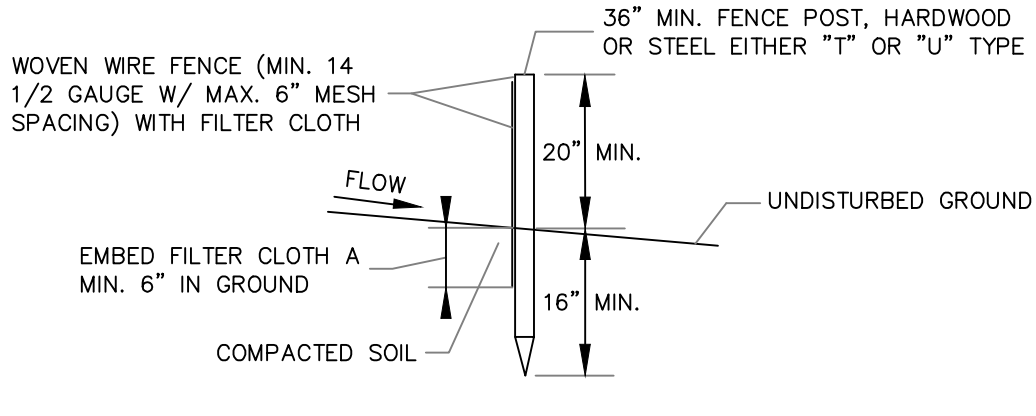
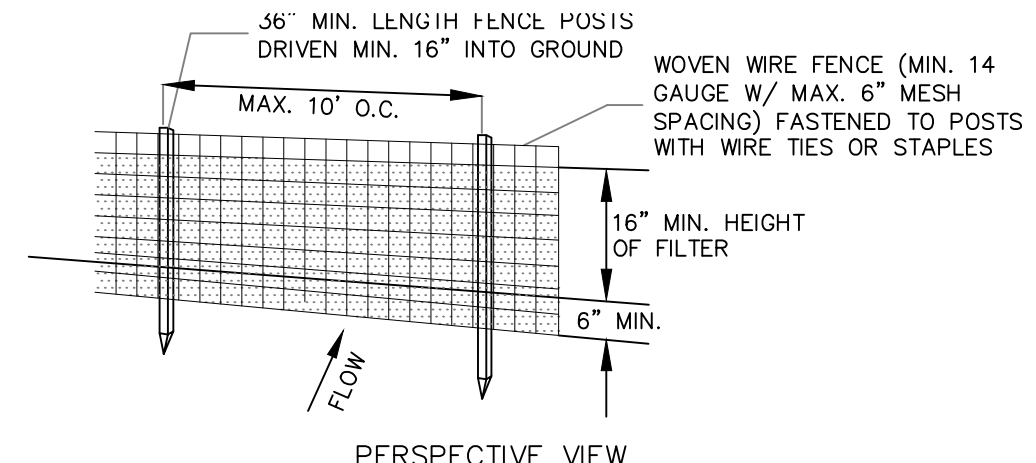
- NOTES:**
- ALL VALVES SHALL OPEN BY TURNING LEFT (COUNTERCLOCKWISE) AND HAVE A 2-INCH SQUARE-OPERATING NUT PAINTED RED.
 - ALL VALVES SHALL BE M.J. RESILIENT WEDGE TYPE WITH "O" RING PACKING, DESIGNED FOR A WORKING PRESSURE OF 150 PSI AND BE IN FULL CONFORMANCE WITH AWWA C500.
 - TAPPING SLEEVE AND GATE VALVE SHOWN ARE MUELLER H-615, AND T-2630 RESPECTIVELY.

TAPPING SLEEVE DETAIL
NOT TO SCALE



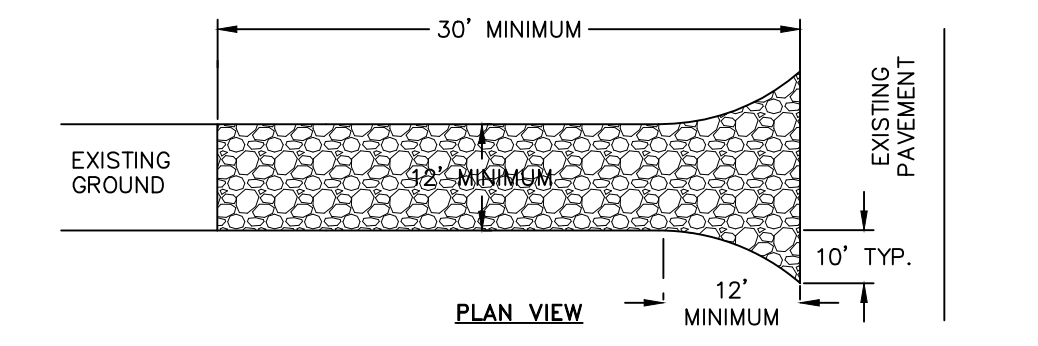
- NOTES:**
- CONCRETE COLLAR TO BE PROVIDED IN AREAS THAT ARE NOT PAVED. THE COLLAR SHALL BE 6" FROM THE COVER AND SHALL EXTEND 6" BELOW FINAL GRADE.

GATE VALVE DETAIL
NOT TO SCALE



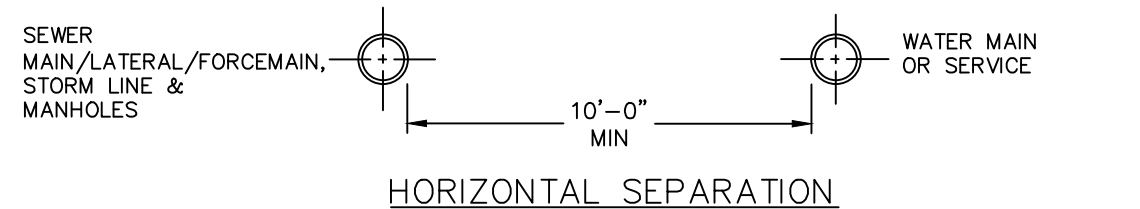
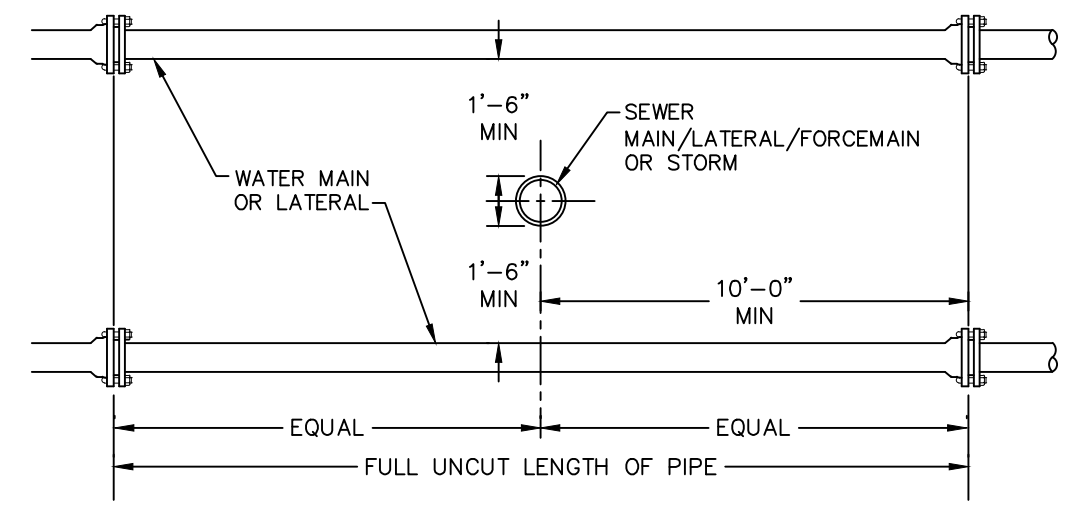
- NOTES:**
- FILTER CLOTH TO BE FASTENED SECURELY TO WOVEN WIRE FENCE WITH TIES SPACED EVERY 24" AT TOP AND MID SECTION.
 - WHEN TWO SECTIONS OF FILTER CLOTH ADJOIN EACH OTHER THEY SHALL BE OVER-LAPPED BY SIX INCHES AND FOLDED. FILTER CLOTH SHALL BE EITHER FILTER X, MIRAFL 100X, STABILINKA T140N OR APPROVED EQUAL.
 - PREFABRICATED UNITS SHALL BE GEOFAB, ENVIROFENCE OR APPROVED EQUAL.
 - MAINTENANCE SHALL BE PERFORMED AS NEEDED AND MATERIAL REMOVED WHEN "BULGES" DEVELOP IN THE SILT FENCE.

SILT FENCE DETAIL
NOT TO SCALE



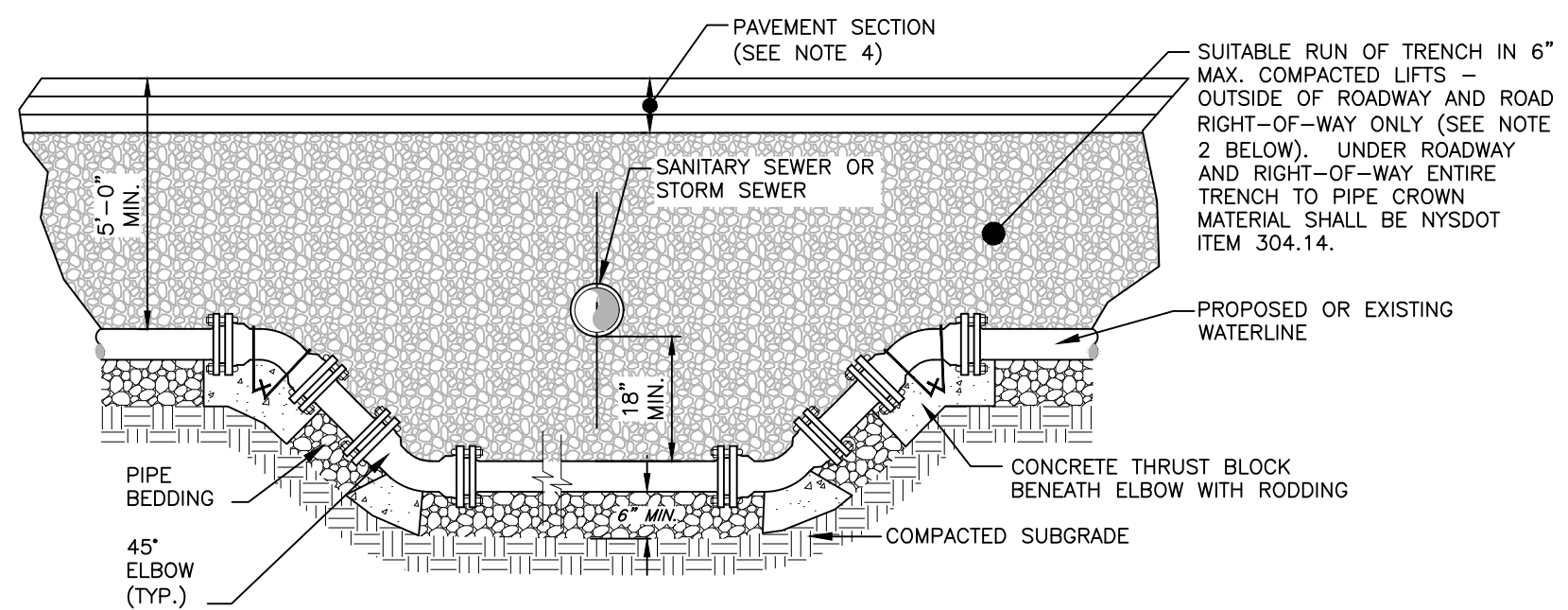
- NOTES:**
- STONE SIZE - USE 1-4 INCH STONE, OR RECLAIMED OR RECYCLED CONCRETE EQUIVALENT.
 - LENGTH - NOT LESS THAN 30 FEET FOR A SINGLE RESIDENCE LOT.
 - THICKNESS - NOT LESS THAN SIX (6) INCHES.
 - WIDTH - 12 FOOT MINIMUM, BUT NOT LESS THAN THE FULL WIDTH AT POINTS WHERE INGRESS OR EGRESS OCCURS. 24 FOOT MINIMUM IF SINGLE ENTRANCE TO SITE.
 - GEOTEXTILE - WILL BE PLACED OVER THE ENTIRE AREA PRIOR TO PLACING OF STONE.
 - SURFACE WATER - ALL SURFACE WATER FLOWING OR DIVERTED TOWARD CONSTRUCTION ENTRANCES SHALL BE PIPED BENEATH THE ENTRANCE. IF PIPING IS IMPRACTICAL, A MOUNTABLE BERM WITH 5:1 SLOPES WILL BE PERMITTED.
 - MAINTENANCE - THE ENTRANCE SHALL BE MAINTAINED IN A CONDITION WHICH WILL PREVENT TRACKING OR FLOWING OF SEDIMENT ONTO PUBLIC RIGHTS-OF-WAY. THIS MAY REQUIRE PERIODIC TOP DRESSING WITH ADDITIONAL STONE AS CONDITIONS DEMAND AND REPAIR AND/OR CLEANOUT OF ANY MEASURE USED TO TRAP SEDIMENT. ALL SEDIMENT SPILLED, DROPPED, WASHED OR TRACTED ONTO PUBLIC RIGHTS-OF-WAY MUST BE REMOVED IMMEDIATELY.
 - WHEN WASHING IS REQUIRED, IT SHALL BE DONE ON AN AREA STABILIZED WITH STONE AND WHICH DRAINS INTO AN APPROVED SEDIMENT TRAPPING DEVICE.
 - PERIODIC INSPECTION AND NEEDED MAINTENANCE SHALL BE PROVIDED AFTER EACH RAIN.

STABILIZED CONSTRUCTION ENTRANCE DETAIL
NOT TO SCALE



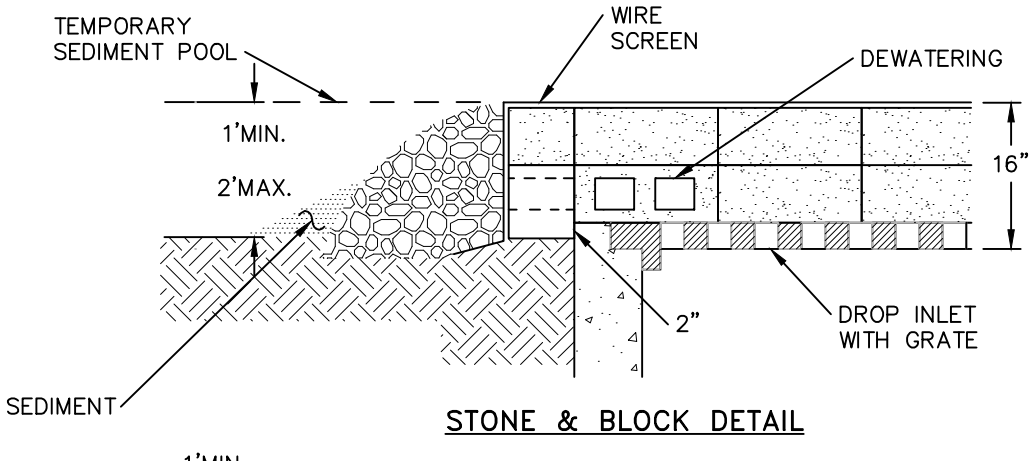
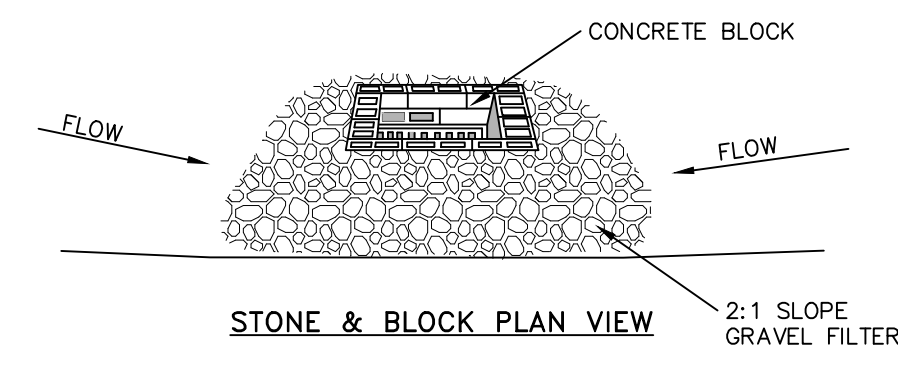
- NOTE:**
- NO DEVIATION IN THE SEPARATION REQUIREMENTS WILL BE PERMITTED WITHOUT THE EXPRESS APPROVAL OF THE DUTCHESS COUNTY DEPARTMENT OF HEALTH AND THE CITY OF BEACON. CONCRETE ENCASUREMENT OF WATERLINE OR OFFSETTING OF WATERLINE SHALL BE REQUIRED WHERE SEPARATION DISTANCES CANNOT BE MAINTAINED.

WATER LINE SEPARATION DETAIL
NOT TO SCALE



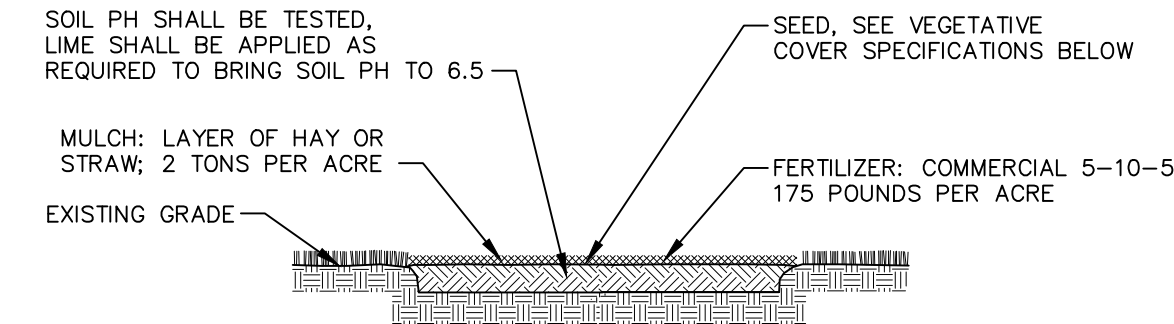
- NOTES:**
- WHEN THE ELEVATION OF THE SANITARY OR STORM SEWER CAN NOT BE VARIED TO MEET THE ABOVE REQUIREMENTS, THE WATER SERVICE LINE OR MAIN SHALL BE RELOCATED TO PROVIDE THIS REQUIRED SEPARATION OR RECONSTRUCTED WITH MECHANICAL JOINT PIPE FOR A DISTANCE OF TEN (10) FEET ON EACH SIDE OF THE SEWER. ONE FULL LENGTH OF WATERMAIN SHALL BE CENTERED OVER THE SEWER SO THAT BOTH JOINTS WILL BE AS FAR AWAY FROM THE SEWER AS POSSIBLE.
 - SUITABLE RUN OF TRENCH SHALL NOT INCLUDE FROZEN MATERIALS, DEBRIS, ORGANIC MATERIALS, ENLARGED PARTICLES, LARGE STONES OR OTHER UNSUITABLE MATERIALS. IF THE RUN OF TRENCH MATERIAL IS FOUND TO BE UNSUITABLE, A SUITABLE BACKFILL MATERIAL SHALL BE IMPORTED AND USED.
 - THE RELOCATED WATER MAIN/SERVICE LINE SHALL BE DISINFECTED IN ACCORDANCE WITH AWWA, NYS DOH AND DDDOH STANDARDS.
 - PAVEMENT RESTORATION SHALL BE IN ACCORDANCE WITH THE PAVEMENT RESTORATION DETAIL.
 - ALL REPLACED WATERMAIN SHALL BE 12" CLASS 52 DUCTILE IRON.

WATER LINE OFFSET DETAIL
NOT TO SCALE



- NOTES:**
- LAY ONE BLOCK ON EACH SIDE OF THE STRUCTURE ON ITS SIDE FOR DEWATERING. FOUNDATION SHALL BE 2 INCHES MINIMUM BELOW REST OF INLET AND BLOCKS SHALL BE PLACED AGAINST INLET FOR SUPPORT.
 - HARDWARE CLOTH OR 1/2" WIRE MESH SHALL BE PLACED OVER BLOCK OPENINGS TO SUPPORT STONE.
 - USE CLEAN STONE OR GRAVEL 1/2-3/4 INCH IN DIAMETER PLACED 2 INCHES BELOW TOP OF THE BLOCK ON A 2:1 SLOPE OR FLATTER.
 - FOR STONE STRUCTURES ONLY, A 1 FOOT THICK LAYER OF THE FILTER STONE WILL BE PLACED AGAINST THE 3 INCH STONE AS SHOWN ON THE DRAWINGS. MAXIMUM DRAINAGE AREA 1 ACRE

CATCH BASIN INLET PROTECTION DETAIL
NOT TO SCALE

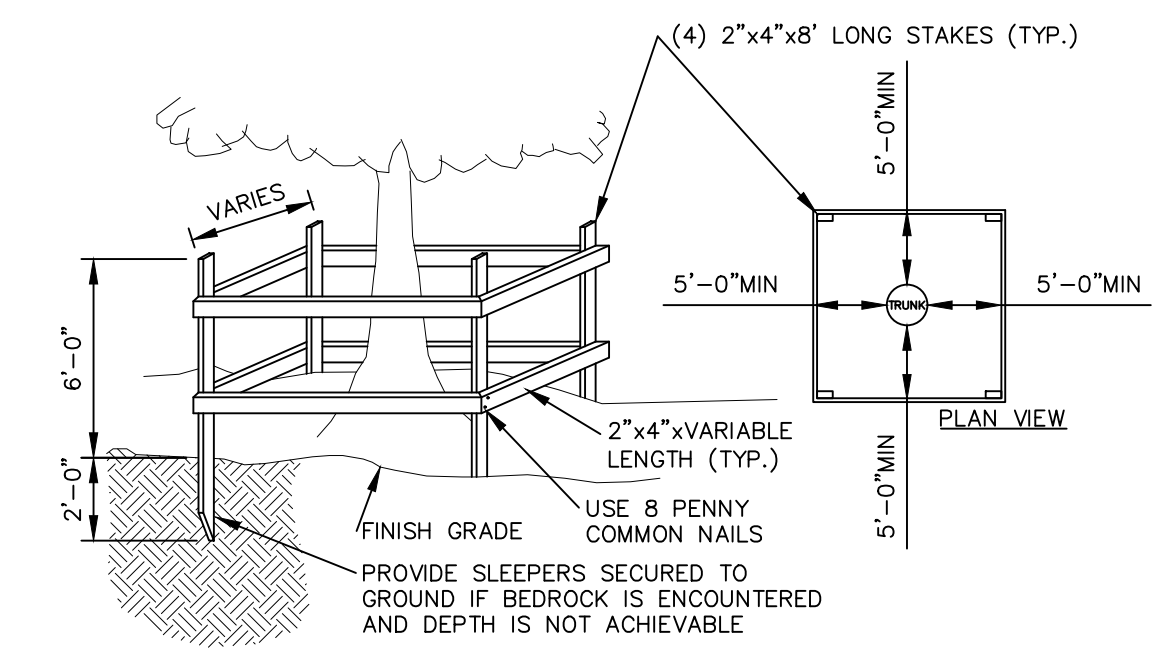


- NOTES:**
- TOPSOIL, SEED, MULCH, AND FERTILIZE DISTURBED SOIL AREAS THAT WILL BE LEFT EXPOSED FOR 14 DAYS OR MORE.
 - SEED MIXTURE FOR USE ON LAWNS IN SUNNY AREAS:

65% KENTUCKY BLUE GRASS BLEND	114 POUNDS PER ACRE
20% PERENNIAL RYEGRASS	35 POUNDS PER ACRE
15% FINE FESCUE	76 POUNDS PER ACRE
	175 POUNDS PER ACRE
 - SEED MIXTURE FOR USE IN SHADY AREAS:

80% BLEND OF SHADE TOLERANT KENTUCKY BLUEGRASS	138 POUNDS PER ACRE
20% FINE FESCUE	37 POUNDS PER ACRE
	175 POUNDS PER ACRE
 - SEED BETWEEN APRIL 1ST AND MAY 15TH OR AUGUST 15TH AND OCTOBER 15TH. SEEDING MAY OCCUR BETWEEN MAY 15TH AND AUGUST 15TH IF ADEQUATE IRRIGATION IS PROVIDED.
 - TOPSOIL SHALL HAVE AT LEAST 6% BY WEIGHT OF FINE TEXTURED STABLE ORGANIC MATERIAL AND NO GREATER THAN 20% TOPSOIL SHALL HAVE NOT LESS THAN 20% FINE TEXTURED MATERIAL (PASSING THE NO. 200 SIEVE) AND NOT MORE THAN 15% CLAY.

TOPSOIL, SEED AND MULCH DETAIL
NOT TO SCALE



- NOTES:**
- TREES TO REMAIN NOTED ON EXISTING CONDITIONS PLAN.
 - NOT ALL TREES TO REMAIN REQUIRE PROTECTION. TREE PROTECTION TO BE UTILIZED ON TREES WHERE CONSTRUCTION TRAFFIC WOULD COMPACT THE ROOT ZONE OF THE TREE.

TEMPORARY TREE PROTECTION DETAIL
NOT TO SCALE

Utility, And Erosion & Sediment Control Details

Sheet 7 of 7

