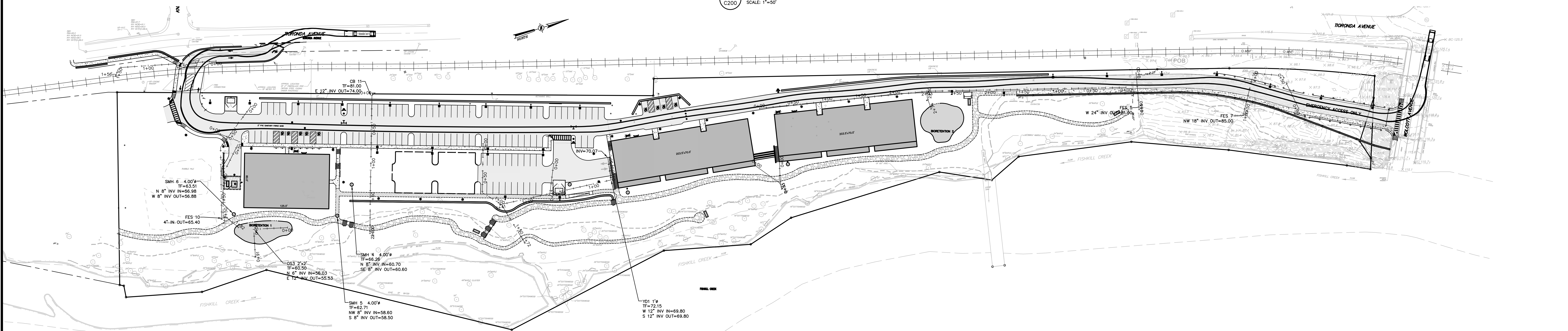
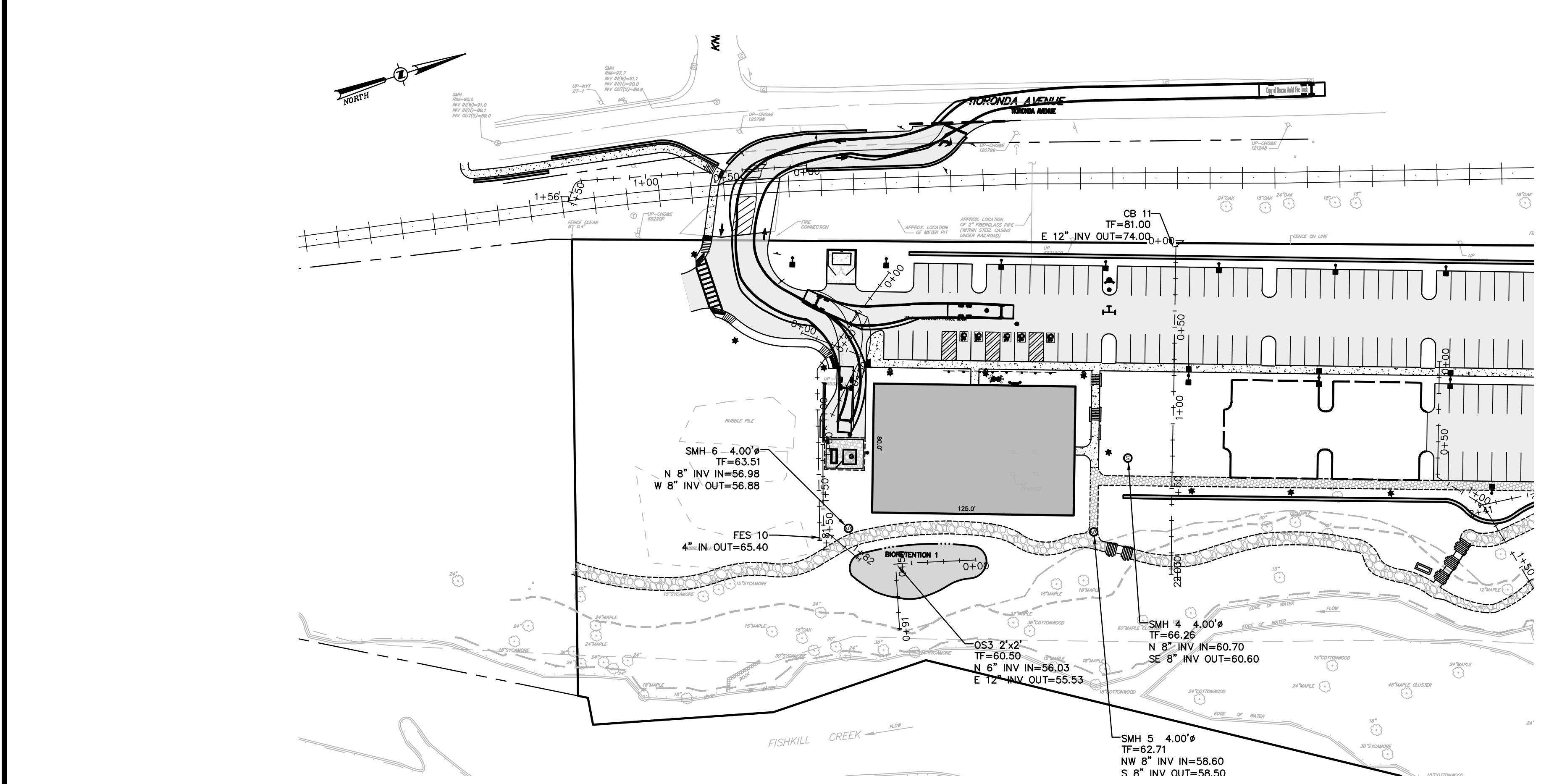


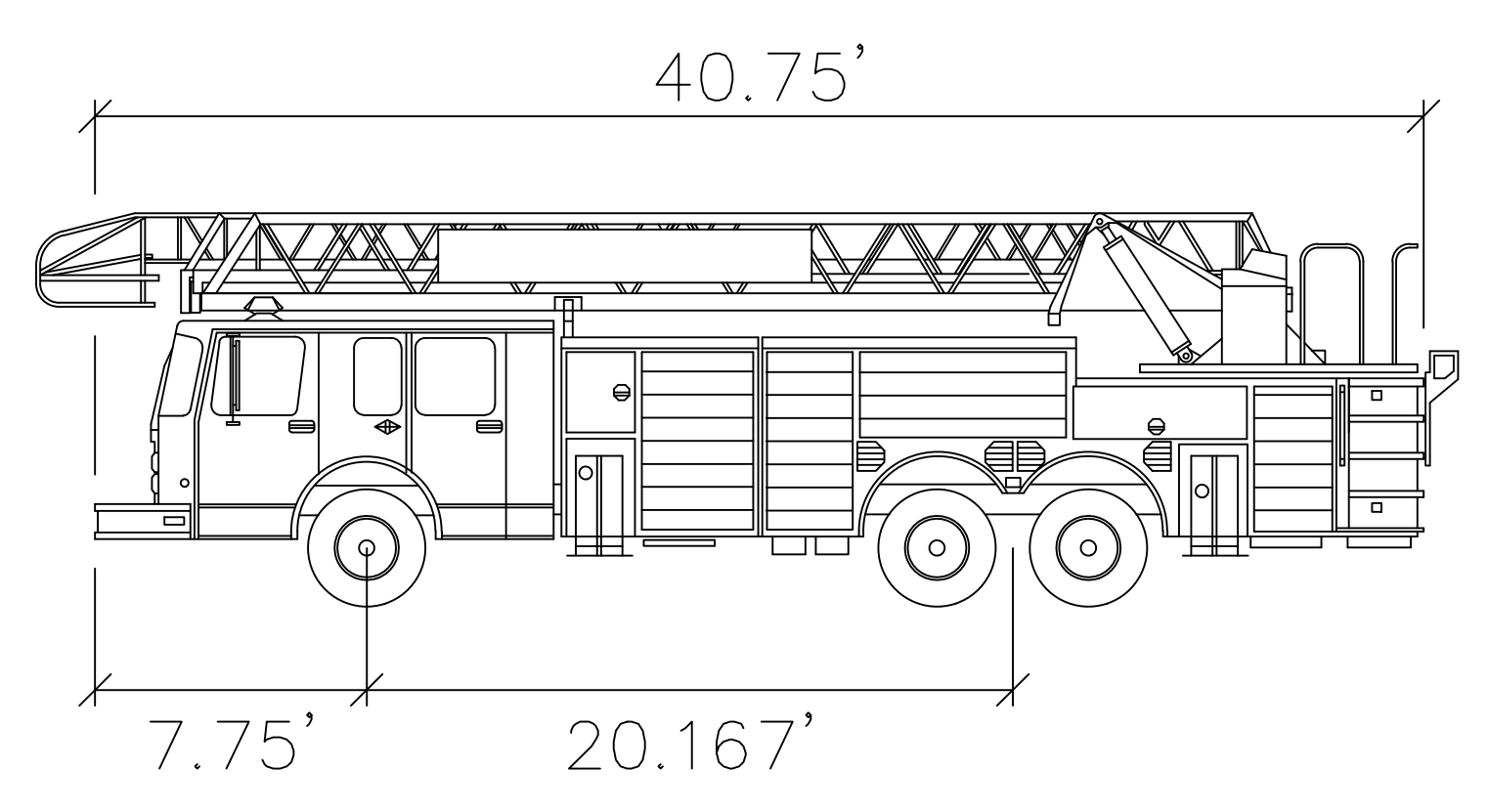
1. **SOUTHWEST SITE ACCESS MANEUVERING PLAN**
SCALE: 1"=50'



2. **NORTH SITE ACCESS MANEUVERING PLAN**
SCALE: 1"=50'



3. **LOWER COMMERCIAL ACCESS**
SCALE: 1"=50'



BEACON FIRE TRUCK

	feet
Width	: 8.33
Track	: 8.41
Lock to Lock Time	: 6.0
Steering Angle	: 45.0

Dig Safely. New York.
 Call Before You Dig
 Mark the Required Time
 Confirm Utility Response
 Respect The Marks
 Dig with Care
800-962-7962
www.digsafely.com

ALL RIGHTS RESERVED. COPY OR REPRODUCTION OF THIS DRAWING OR DOCUMENT IN ANY MANNER WITHOUT THE EXPRESS WRITTEN PERMISSION OF CHAZEN ENGINEERING AND SURVEYING, A LANDSCAPE ARCHITECTURE FIRM, IS PROHIBITED. THIS DRAWING OR DOCUMENT IS NOT INTENDED OR REPRESENTED TO BE SUITABLE FOR ANY PURPOSE OTHER THAN THAT FOR WHICH IT WAS DESIGNED AND INTENDED. THE USER ASSUMES ALL LIABILITY FOR ANY DAMAGE, LOSS, OR INJURY THAT MAY BE CAUSED BY THE USE OF THIS DRAWING OR DOCUMENT. THE USER SHALL BE RESPONSIBLE FOR OBTAINING ALL NECESSARY PERMITS AND APPROVALS FROM ALL APPLICABLE AGENCIES AND AUTHORITIES. CHAZEN ENGINEERING AND SURVEYING, A LANDSCAPE ARCHITECTURE FIRM, IS NOT RESPONSIBLE FOR ANY DAMAGE, LOSS, OR INJURY THAT MAY BE CAUSED BY THE USE OF THIS DRAWING OR DOCUMENT. THE USER SHALL BE RESPONSIBLE FOR OBTAINING ALL NECESSARY PERMITS AND APPROVALS FROM ALL APPLICABLE AGENCIES AND AUTHORITIES. CHAZEN ENGINEERING AND SURVEYING, A LANDSCAPE ARCHITECTURE FIRM, IS NOT RESPONSIBLE FOR ANY DAMAGE, LOSS, OR INJURY THAT MAY BE CAUSED BY THE USE OF THIS DRAWING OR DOCUMENT. THE USER SHALL BE RESPONSIBLE FOR OBTAINING ALL NECESSARY PERMITS AND APPROVALS FROM ALL APPLICABLE AGENCIES AND AUTHORITIES.

Chazen Companies
Proud to be Employee Owned
 Land Surveyors
 Planners
 Environmental & Safety Professionals
 Landscape Architects

CHAZEN ENGINEERING, LAND SURVEYING
LANDSCAPE ARCHITECTURE CO., D.P.C.
 Office Locations:
 North Country Office: 22 Elm Street (Suite 110) Plattsburgh, New York 12801 Phone: (518) 534-3300
 Westchester NY Office: 1 North Broadway, Suite 803 White Plains, New York 10601 Phone: (914) 997-8500
 Nashville Tennessee Office: 2410 21st Ave S. (Suite 103) Nashville, Tennessee 37212 Phone: (615) 380-1358
 Chattanooga Tennessee Office: 437 E. 5th St. (Suite 203) Chattanooga, Tennessee 37403 Phone: (423) 241-6275

rev.	date	description
5	01/28/20	REVISED PER PLANNING BOARD COMMENTS
4	12/20/19	REVISED PER PLANNING BOARD COMMENTS
3	02/26/19	REVISED PER CITY COUNCIL COMMENTS
2	01/17/19	REVISED PER CITY COUNCIL COMMENTS
1	11/28/18	NEW SHEET ADDED TO SET

248 TIRONDA AVE., BEACON, N.Y.
VEHICLE MANEUVERING PLAN
 CITY OF BEACON, DUTCHESS COUNTY, NEW YORK

designed	checked
date	scale
09/10/18	1" = 30'
project no.	81750.00
sheet no.	C200
	11 of 10