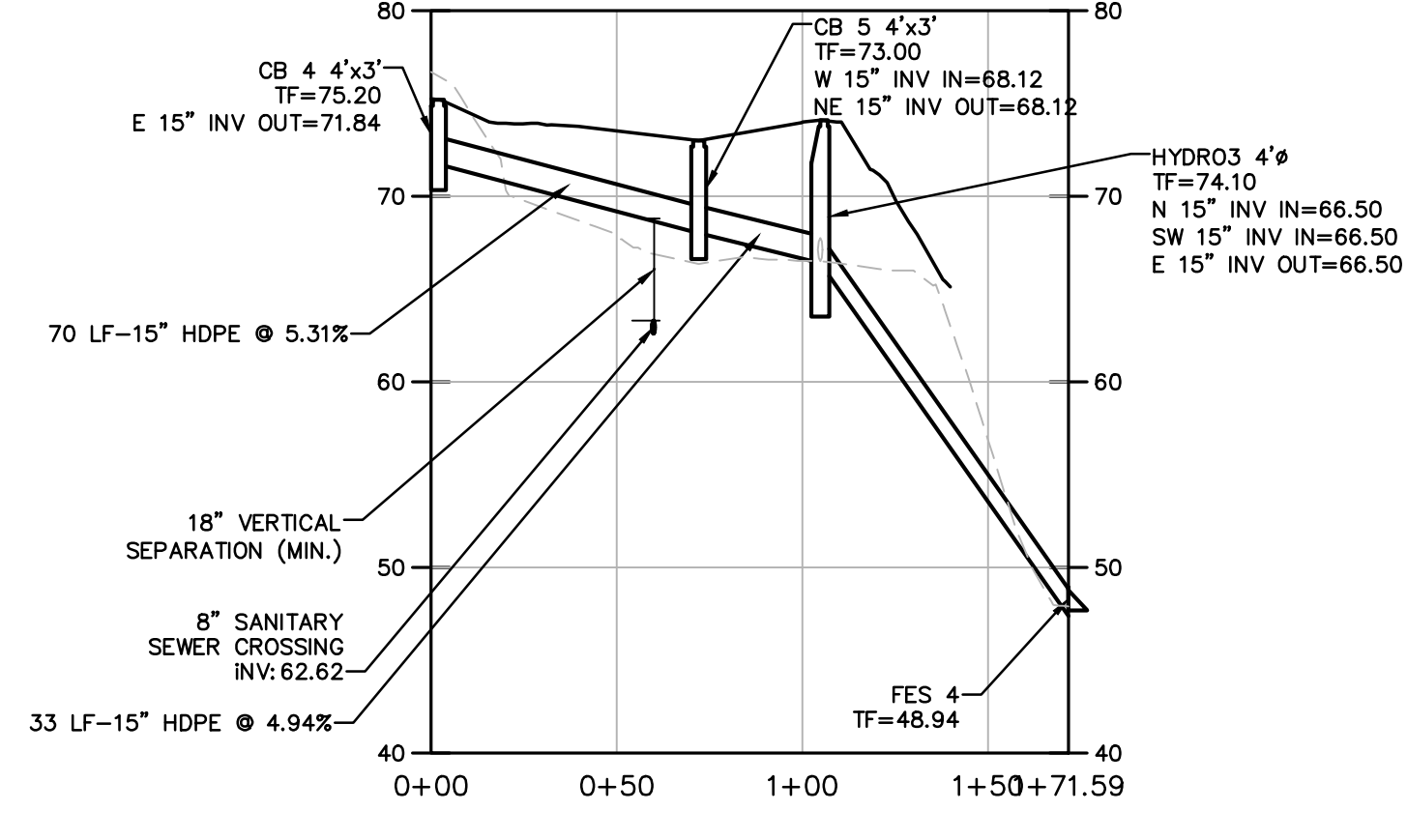
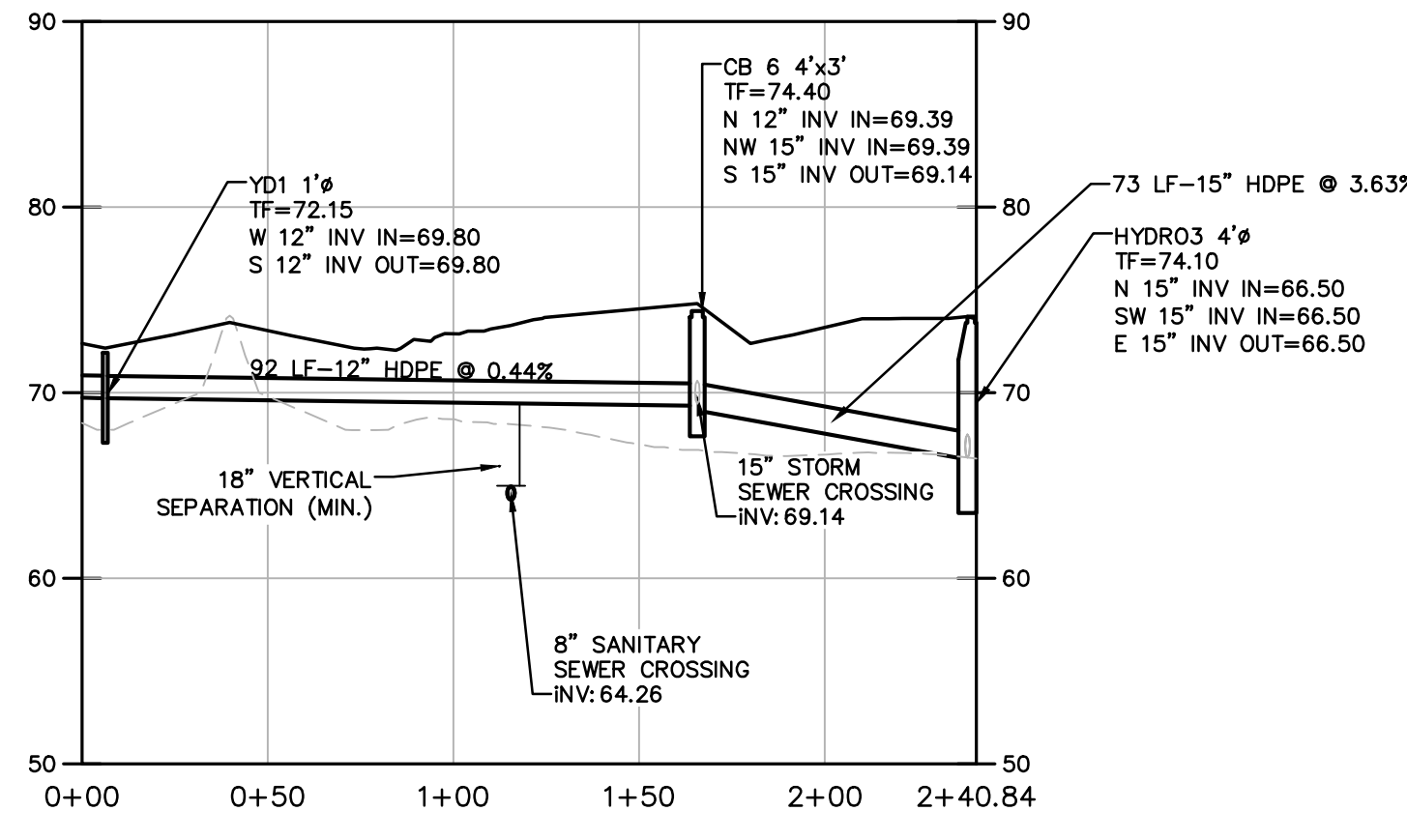


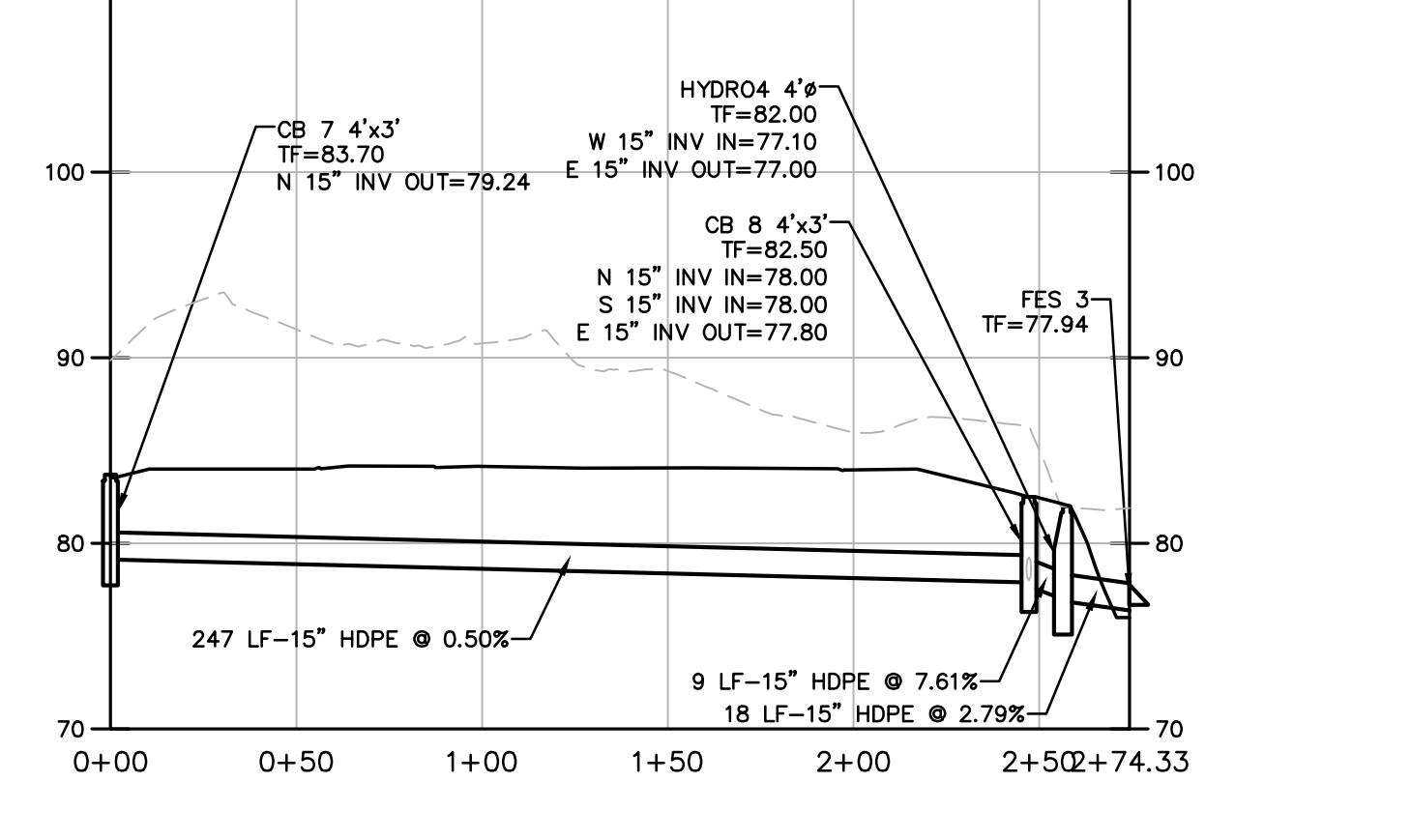
1 STORM PROFILE 1
 SCALE: SCALE-H=1"=50'
 SCALE-V=1"=10'



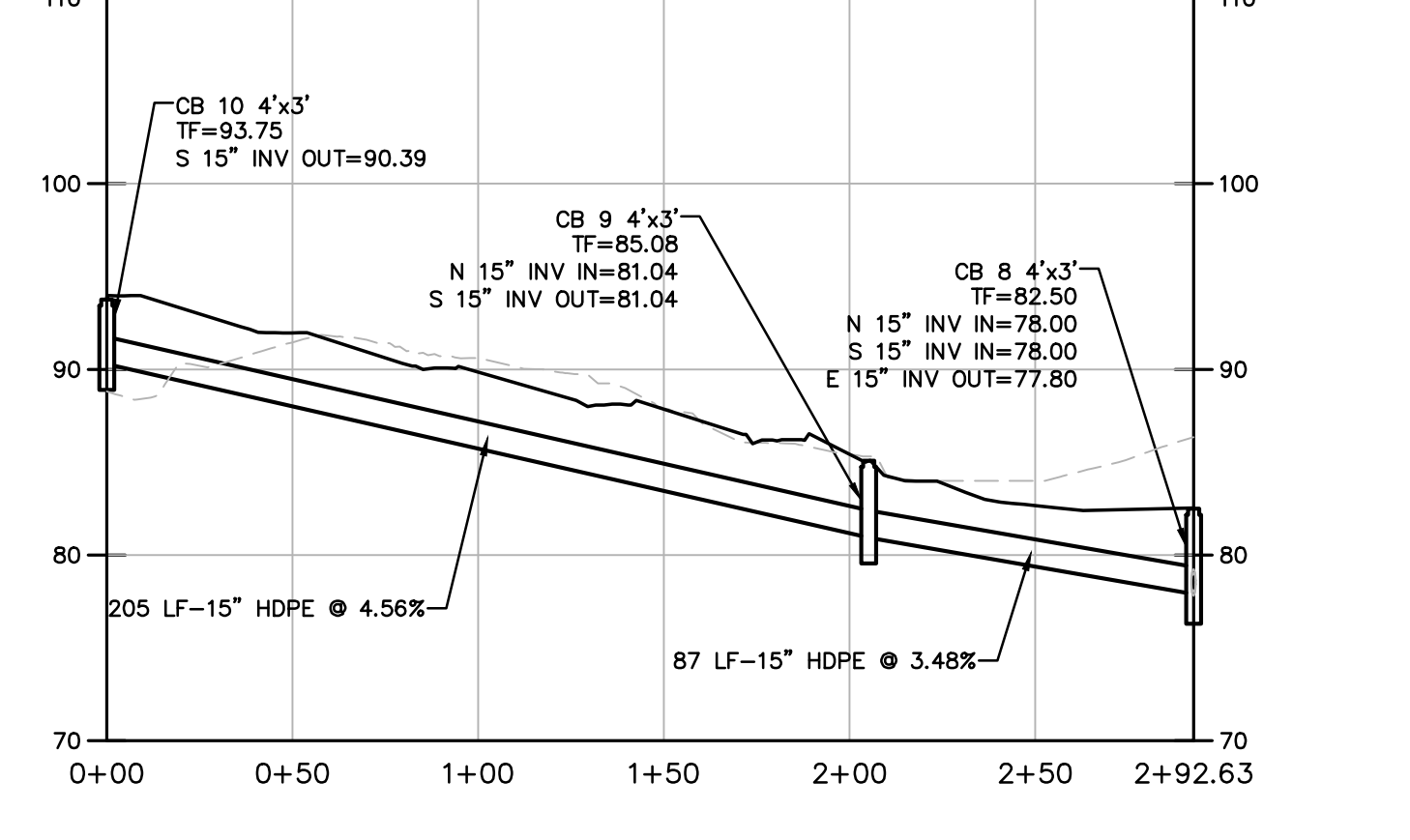
2 STORM PROFILE 2
 SCALE: SCALE-H=1"=50'
 SCALE-V=1"=10'



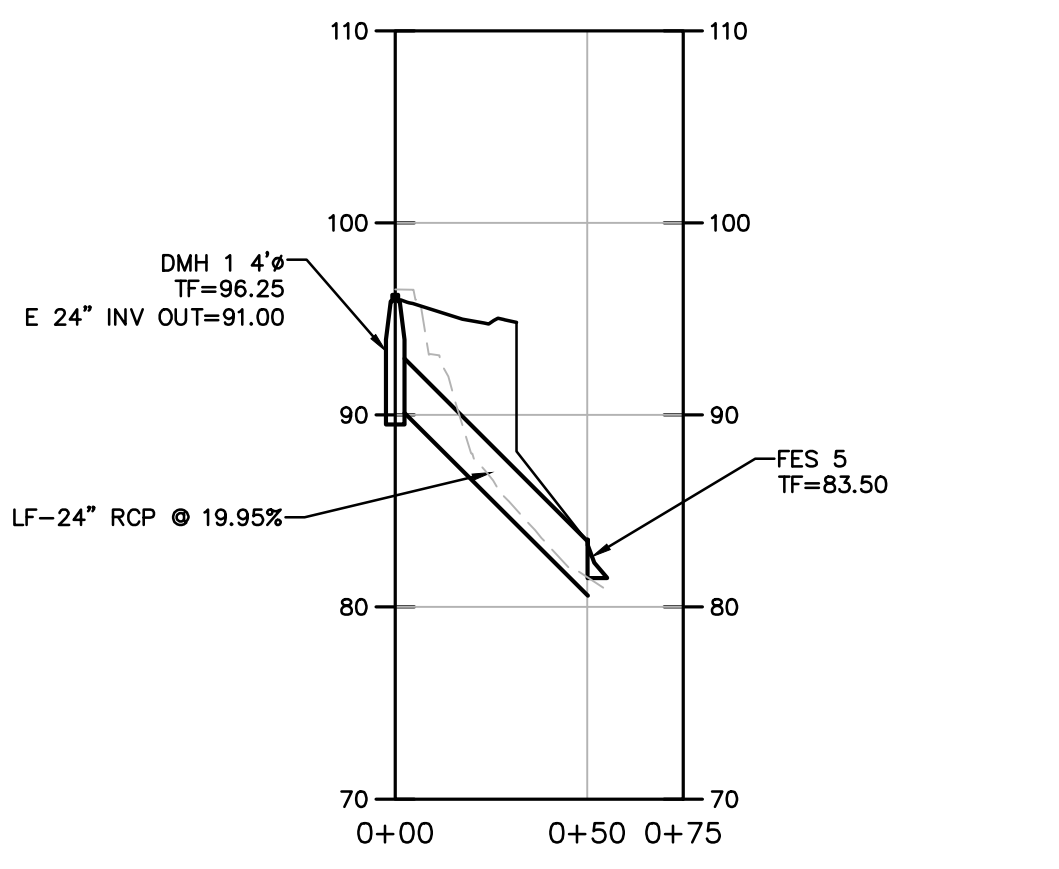
3 STORM PROFILE 3
 SCALE: SCALE-H=1"=50'
 SCALE-V=1"=10'



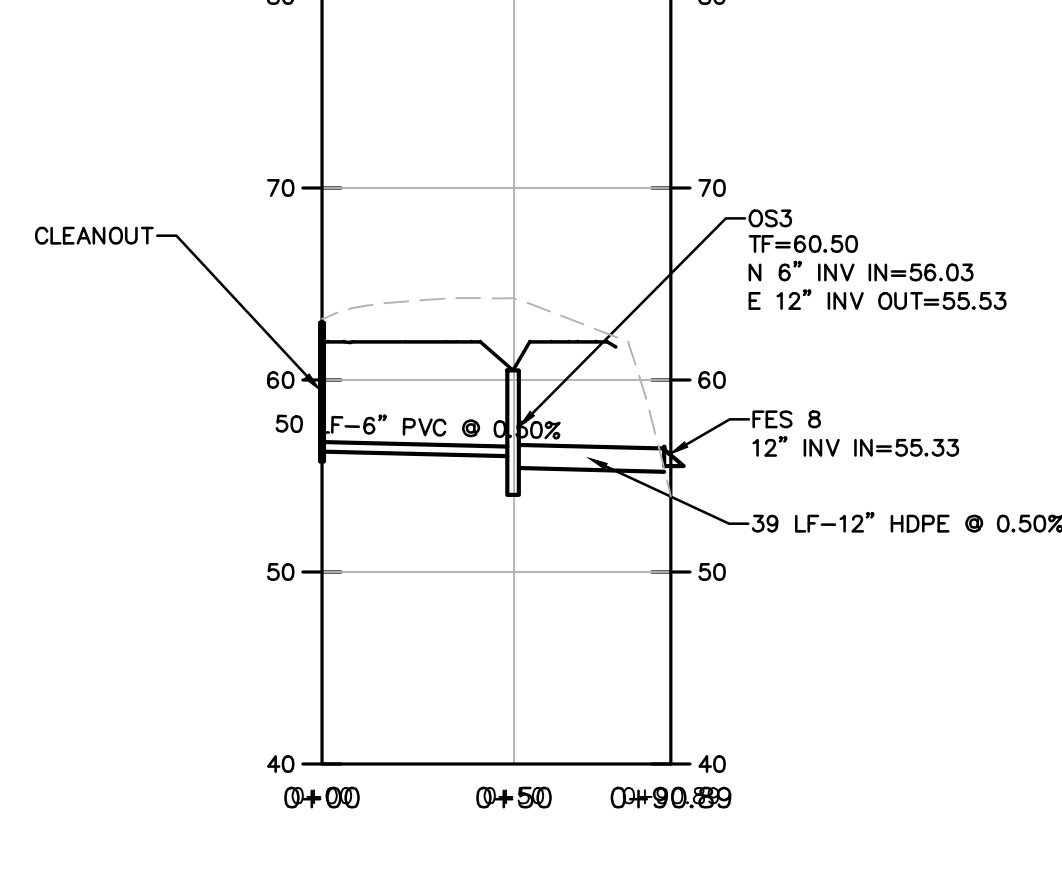
4 STORM PROFILE 4
 SCALE: SCALE-H=1"=50'
 SCALE-V=1"=10'



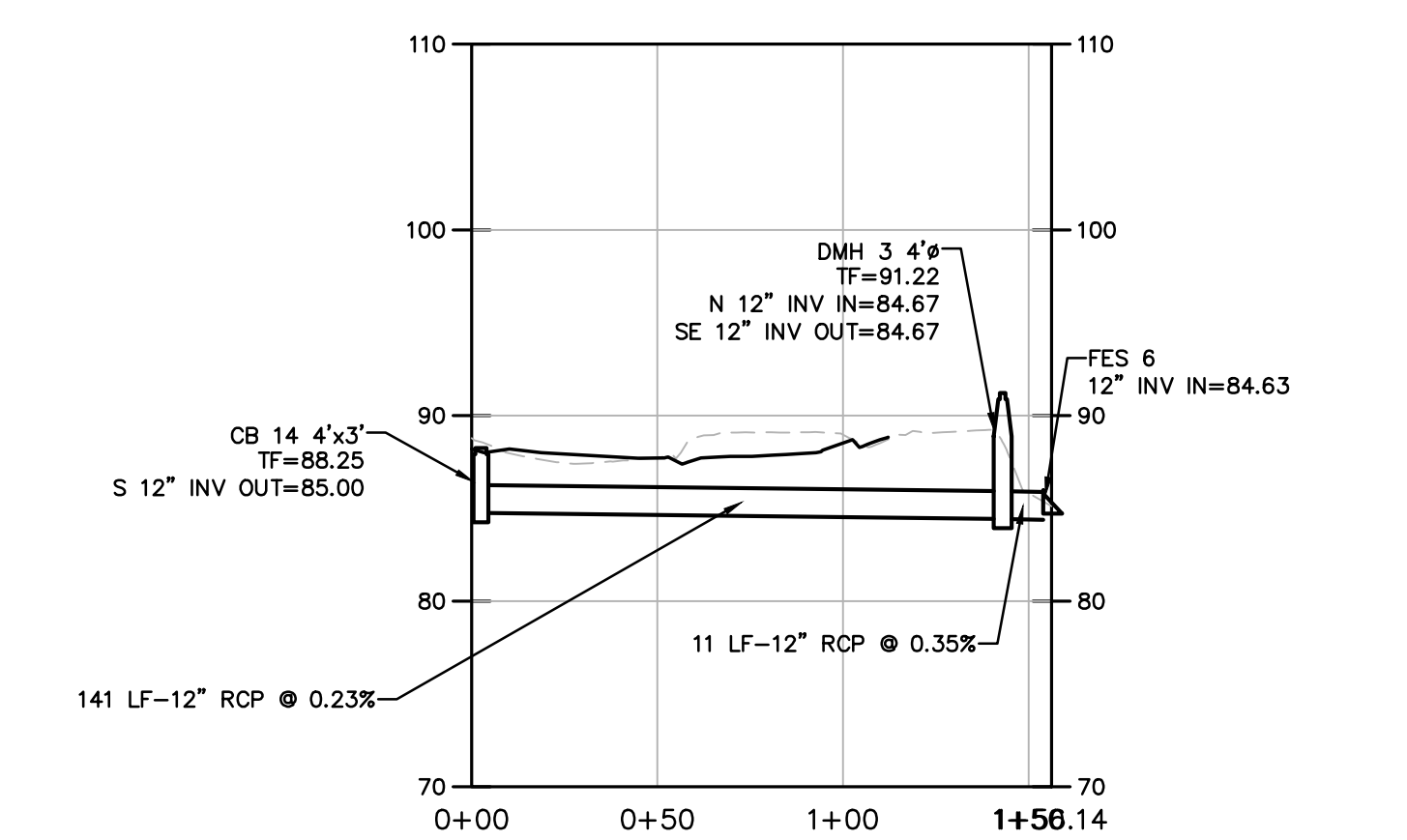
5 STORM PROFILE 5
 SCALE: SCALE-H=1"=50'
 SCALE-V=1"=10'



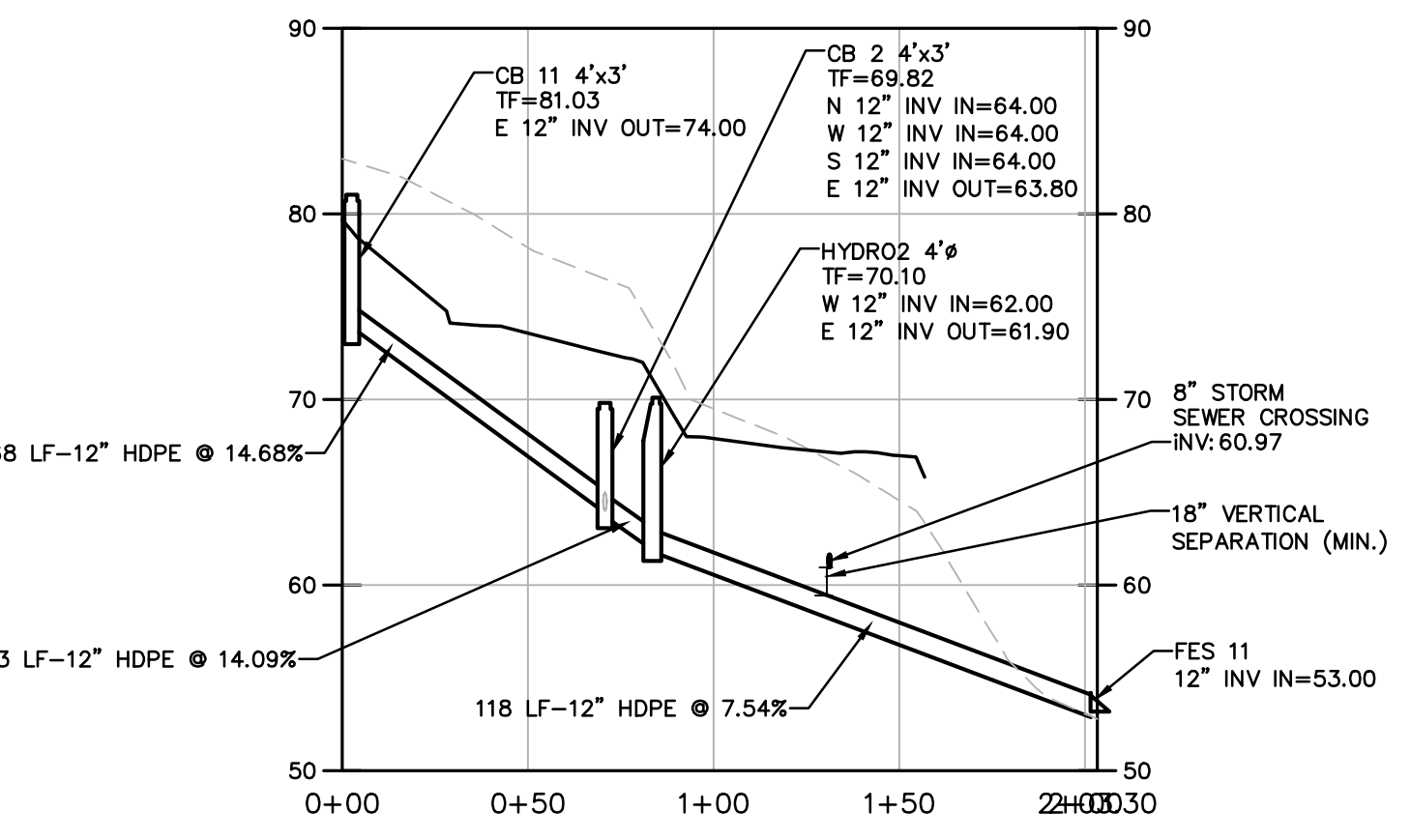
6 STORM PROFILE 6
 SCALE: SCALE-H=1"=50'
 SCALE-V=1"=10'



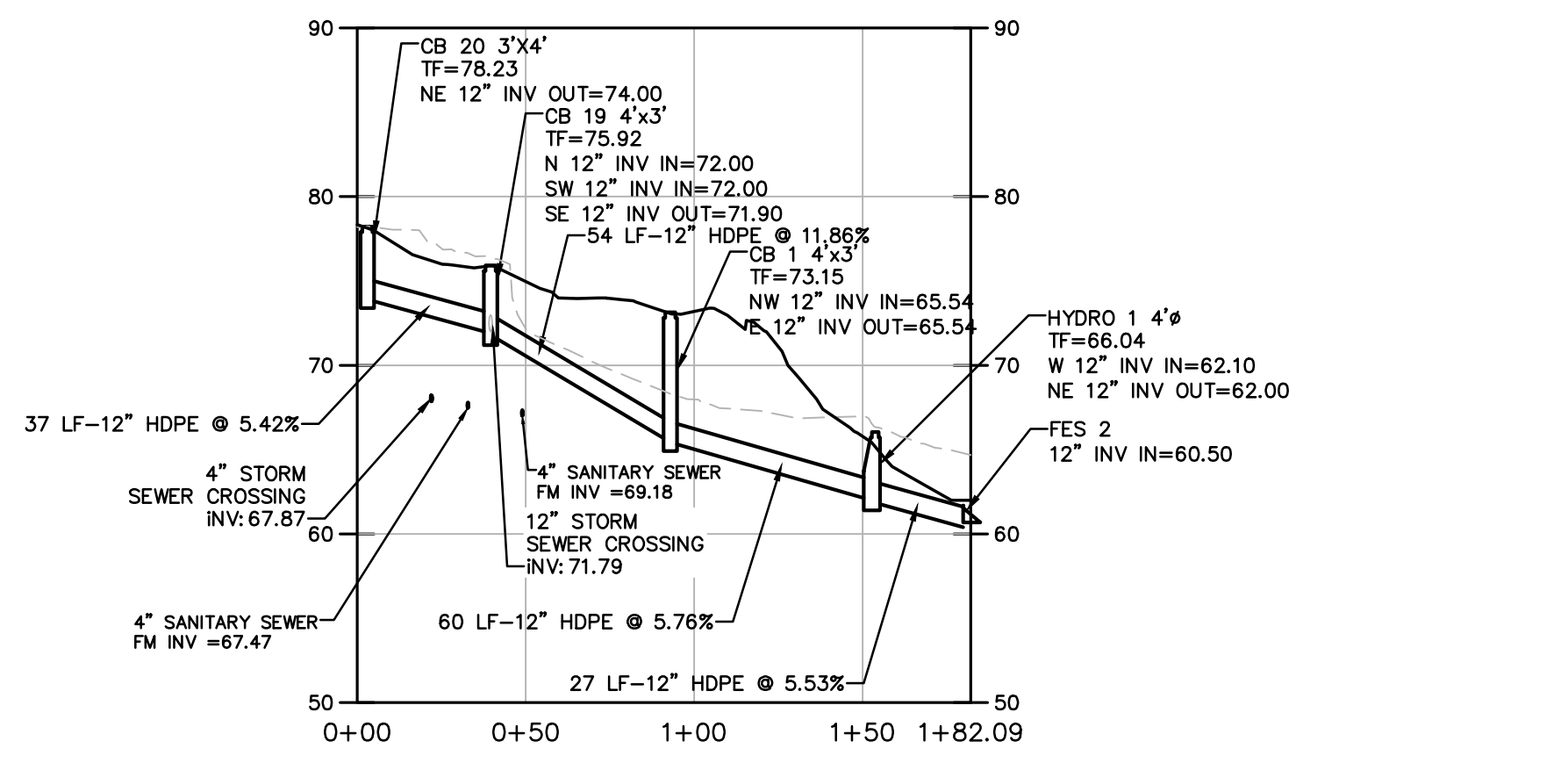
7 STORM PROFILE 7
 SCALE: SCALE-H=1"=50'
 SCALE-V=1"=10'



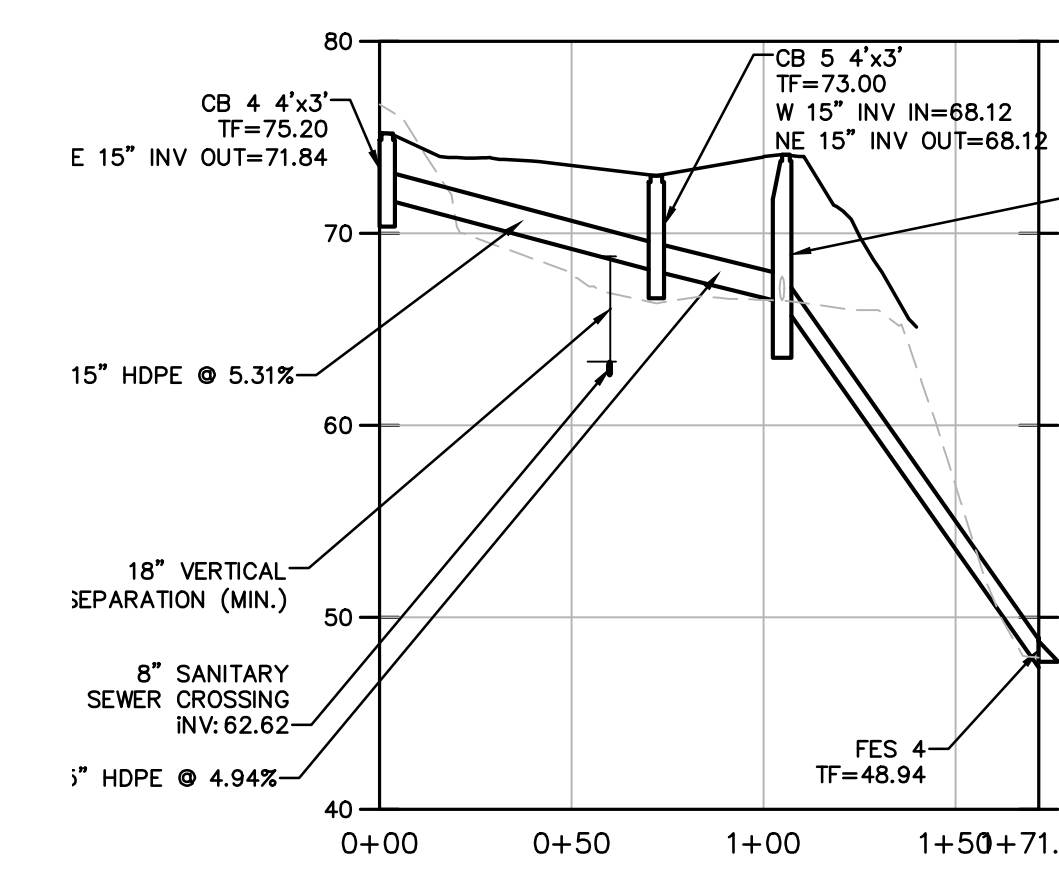
8 STORM PROFILE 8
 SCALE: SCALE-H=1"=50'
 SCALE-V=1"=10'



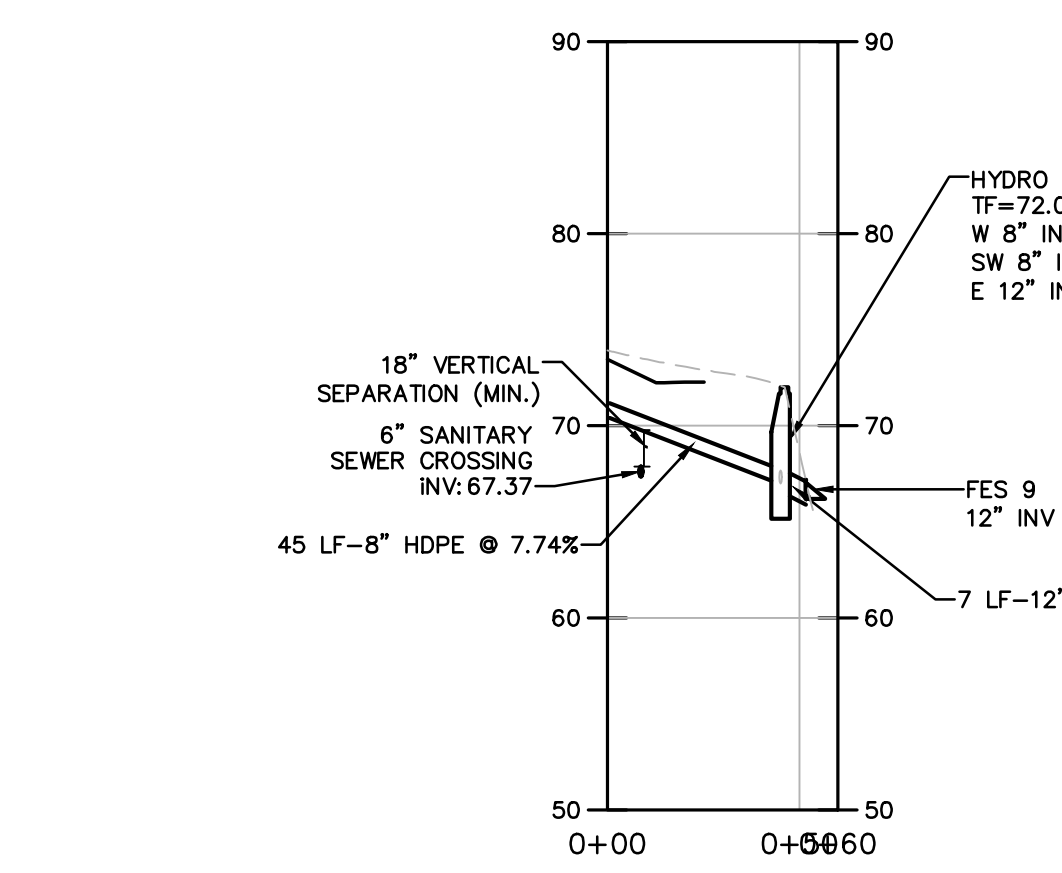
9 STORM PROFILE 9
 SCALE: SCALE-H=1"=50'
 SCALE-V=1"=10'



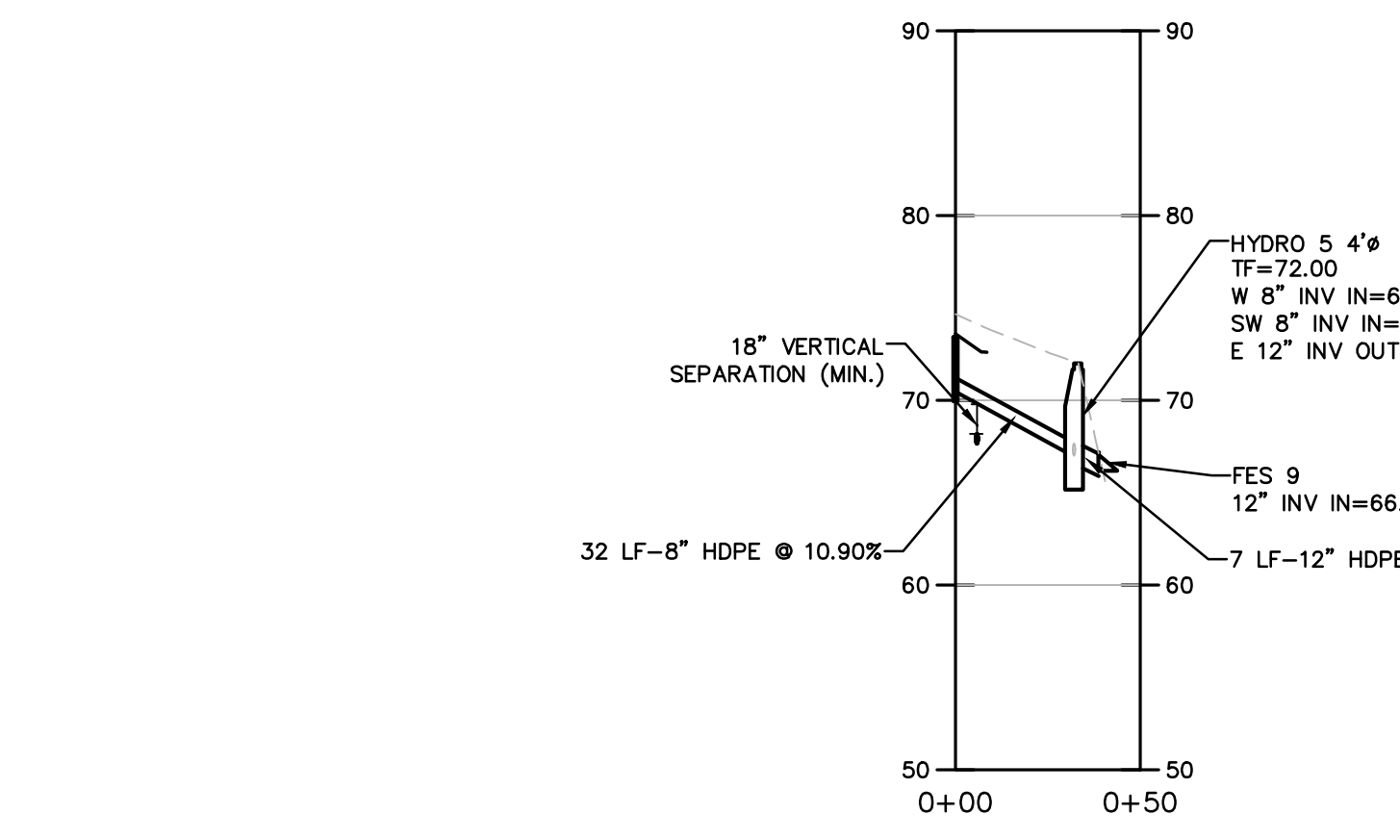
10 STORM PROFILE 10
 SCALE: SCALE-H=1"=50'
 SCALE-V=1"=10'



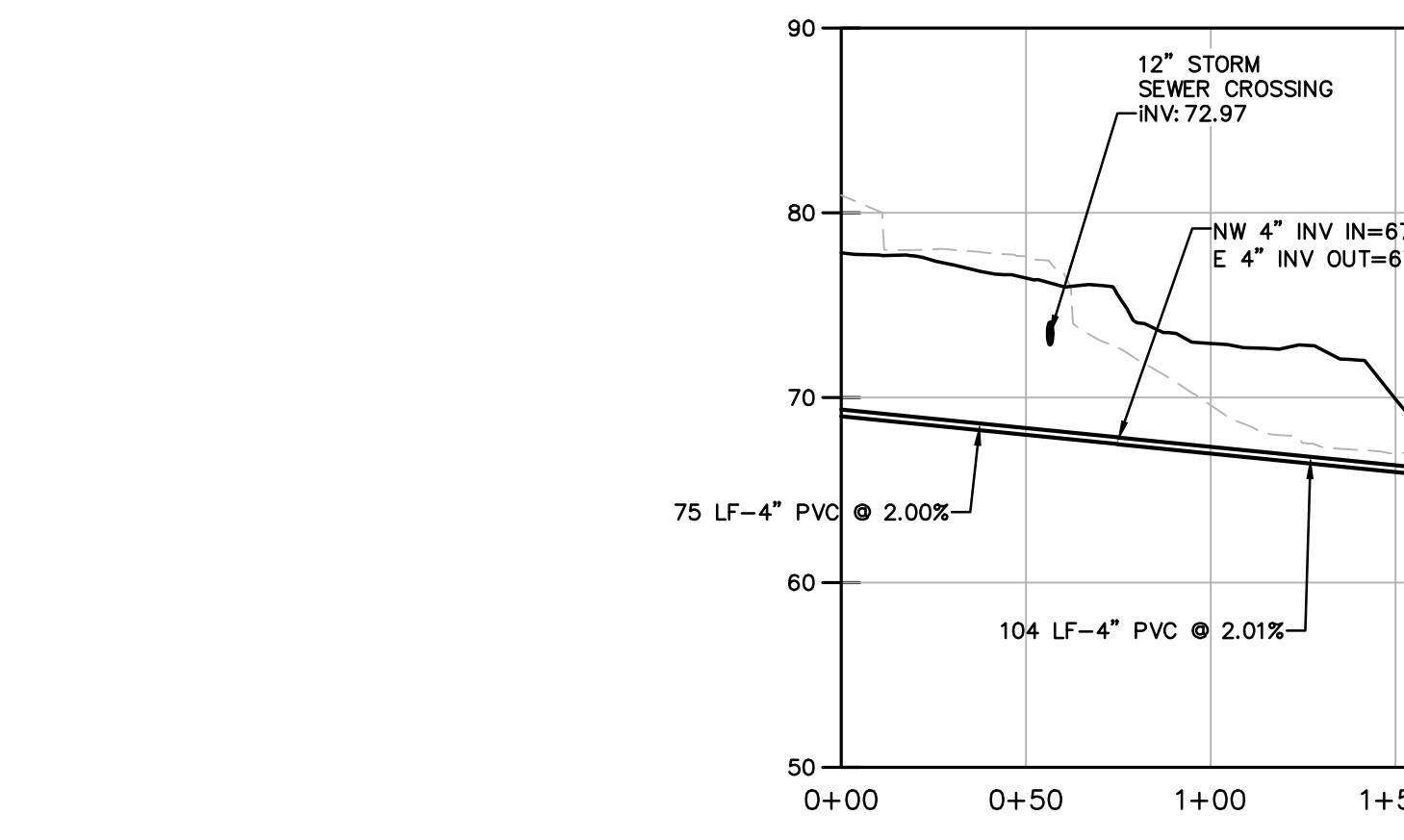
11 STORM PROFILE 11
 SCALE: SCALE-H=1"=50'
 SCALE-V=1"=10'



12 STORM PROFILE 12
 SCALE: SCALE-H=1"=50'
 SCALE-V=1"=10'



13 STORM PROFILE 13
 SCALE: SCALE-H=1"=50'
 SCALE-V=1"=10'



14 STORM PROFILE 14
 SCALE: SCALE-H=1"=50'
 SCALE-V=1"=10'

Dig Safely. New York
 Call Before You Dig
 Mark the Unmarked
 Confirm Utility Response
 Respect The Marks
 Dig Safely
 800-962-7962
 www.digsafely.com

ALL RIGHTS RESERVED. COPY OR REPRODUCTION OF THIS DRAWING OR DOCUMENT OR ANY PORTION THEREOF WITHOUT THE WRITTEN PERMISSION OF CHAZEN ENGINEERING, LAND SURVEYING & LANDSCAPE ARCHITECTURE CO., D.P.C. IS PROHIBITED. THIS DRAWING OR DOCUMENT IS NOT INTENDED OR REPRESENTED TO BE SUITABLE FOR ANY PURPOSE OTHER THAN THAT FOR WHICH IT WAS DESIGNED. NO LIABILITY SHALL BE ASSUMED BY CHAZEN ENGINEERING, LAND SURVEYING & LANDSCAPE ARCHITECTURE CO., D.P.C. IF A VIOLATION OF NEW YORK STATE EDUCATION LAW FOR ANY PERSON TO ALTER THIS DRAWING OR DOCUMENT IN ANY MANNER OR TO USE IT AS A BASIS FOR ANY OTHER DESIGN OR DOCUMENTATION. THE USER OF THIS DRAWING OR DOCUMENT ASSUMES ALL LIABILITY FOR ANY ALTERATION, MISUSE, OR OVERUSE OF THIS DRAWING OR DOCUMENT. THE USER OF THIS DRAWING OR DOCUMENT ASSUMES ALL LIABILITY FOR ANY ALTERATION, MISUSE, OR OVERUSE OF THIS DRAWING OR DOCUMENT.

Chazen COMPANIES
 Environmental & Safety Professionals
 Landscape Architects

CHAZEN ENGINEERING, LAND SURVEYING & LANDSCAPE ARCHITECTURE CO., D.P.C.
 Office Locations:
 North Country Office: 22 Elm Street, Glens Falls, NY 12033
 Westchester NY Office: 1 North Broadway, Suite 803, White Plains, NY 10601
 Nashville Tennessee Office: 2416 21st Ave S, Suite 1033, Nashville, Tennessee 37212
 Chattanooga Tennessee Office: 437 E 5th St, Suite 203, Chattanooga, Tennessee 37403

REV.	DATE	DESCRIPTION
1	01/28/20	ADDED AS PER PLANNING BOARD COMMENTS

248 TIORONDA AVE., BEACON, N.Y.
UTILITY PROFILES 2
 CITY OF BEACON, DUTCHESS COUNTY, NEW YORK

Designed	checked
ASB	CL
Date	Scale
09/10/18	AS SHOWN
Project No.	
81750.00	
Sheet No.	
C162	
8 of 10	