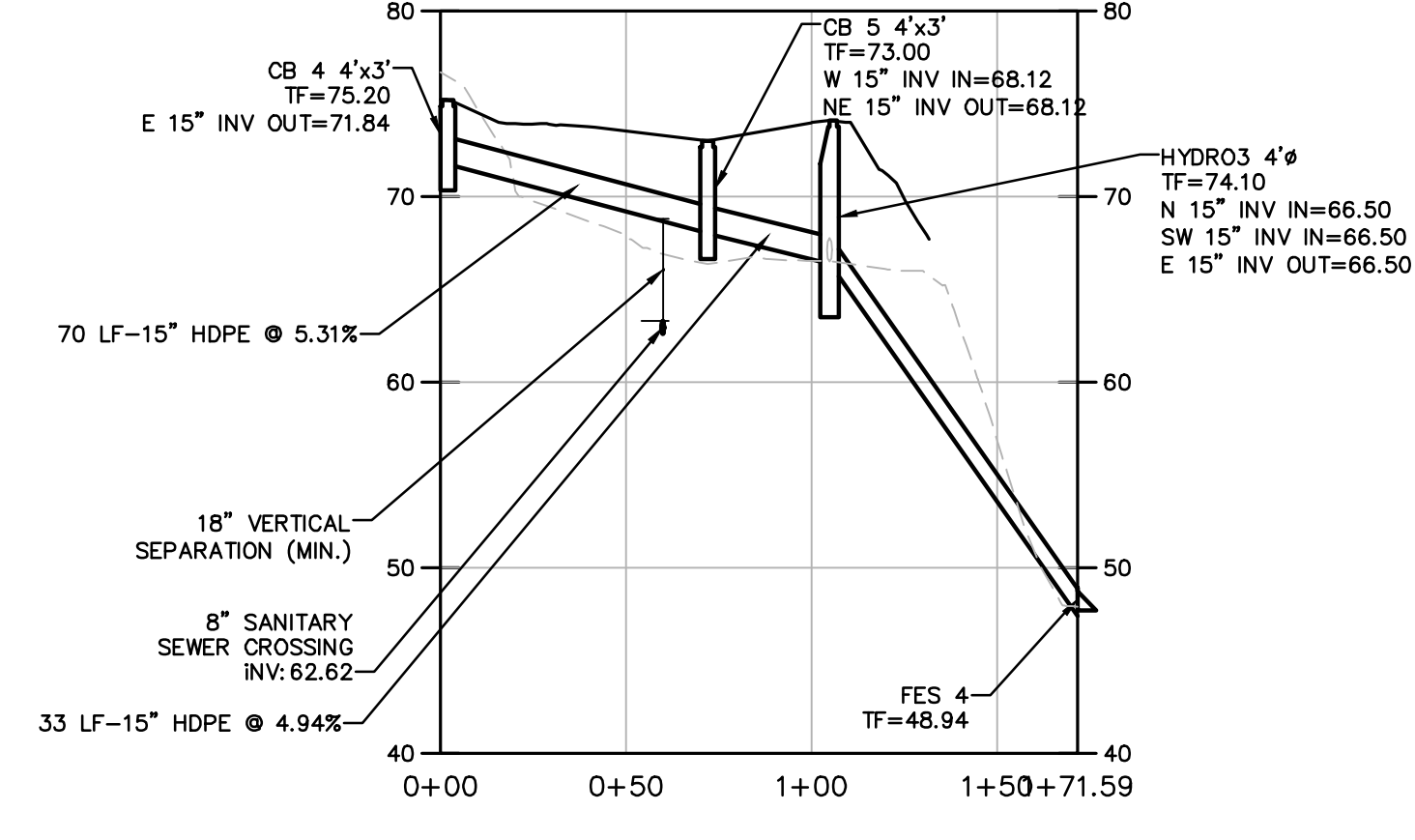
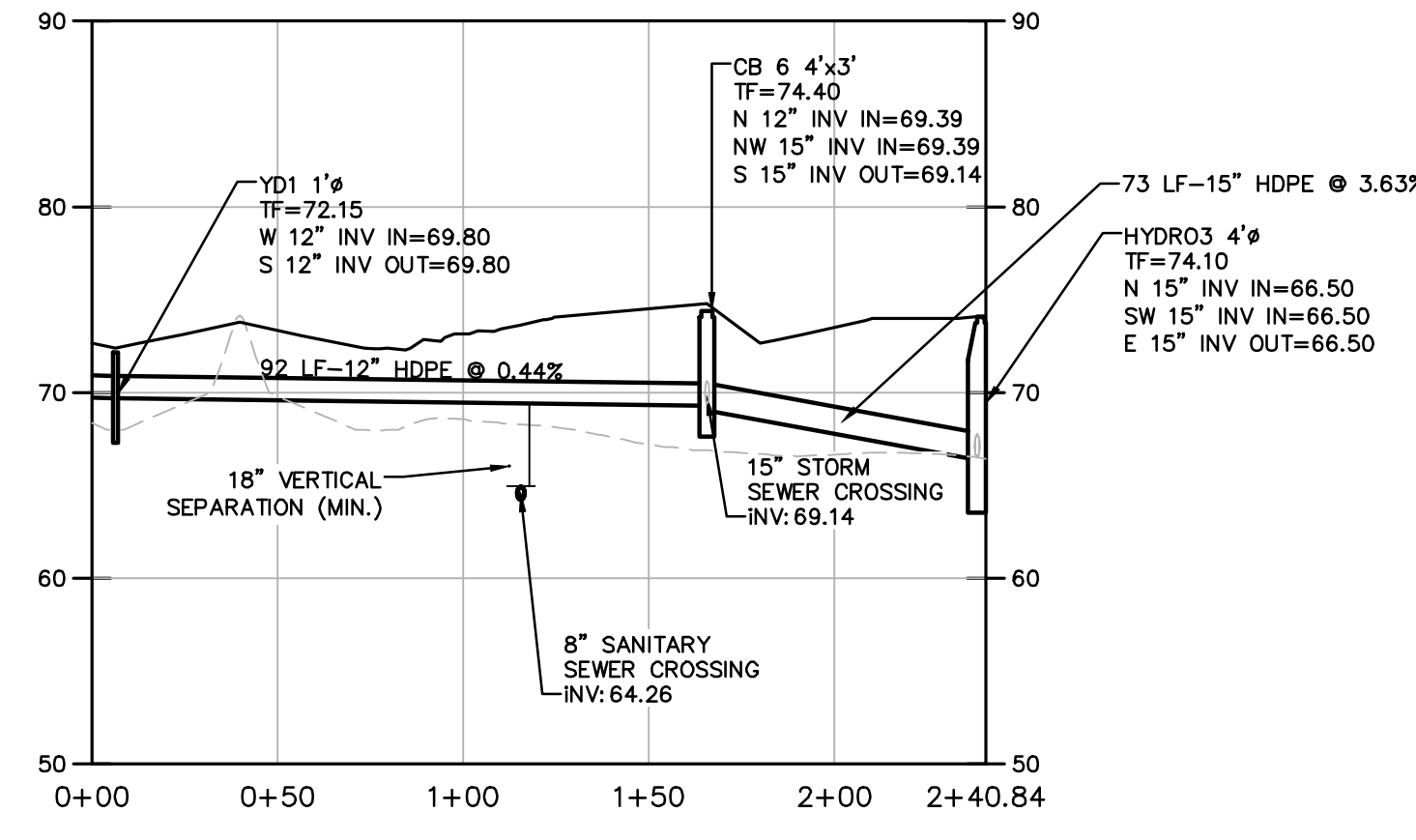


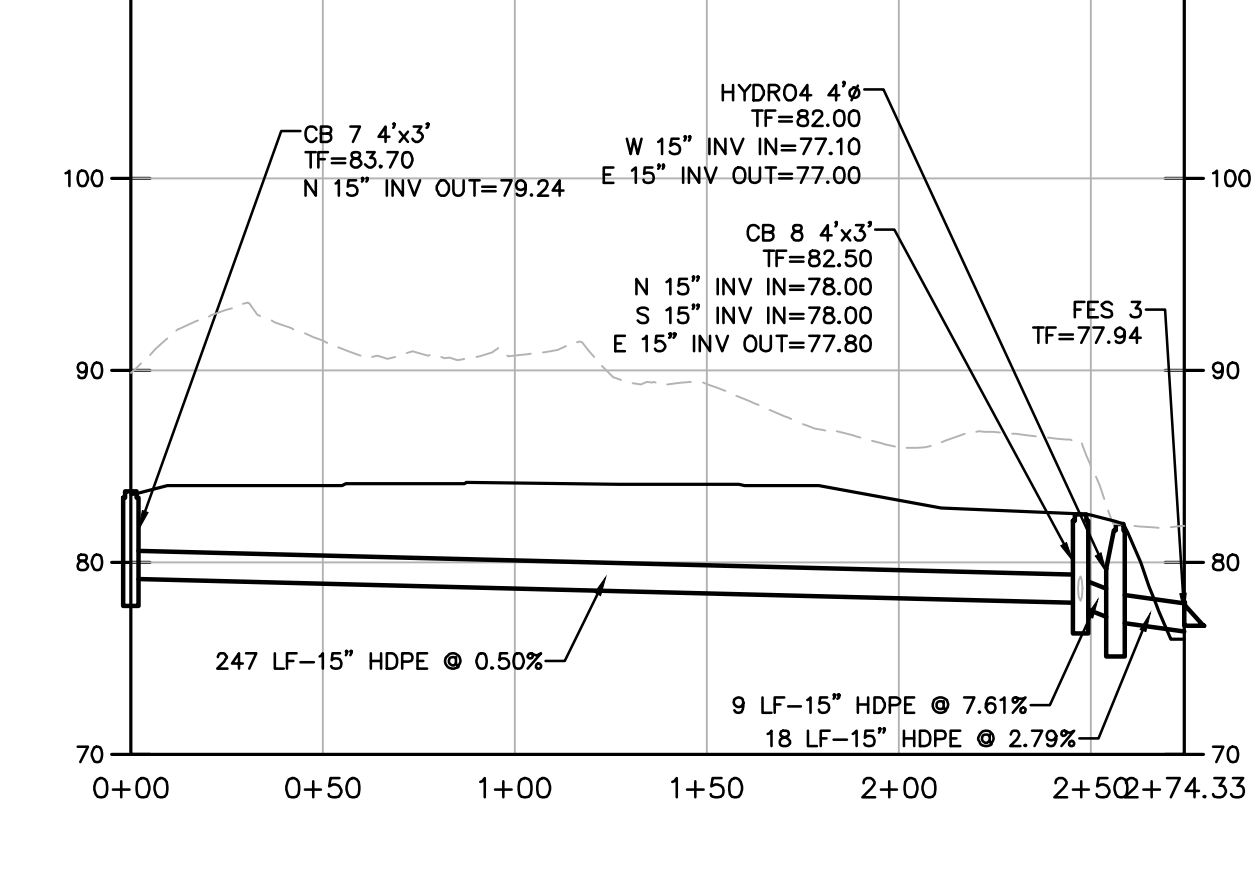
1 STORM PROFILE 1
SCALE: SCALE-H=1"=50'
SCALE-V=1"=10'



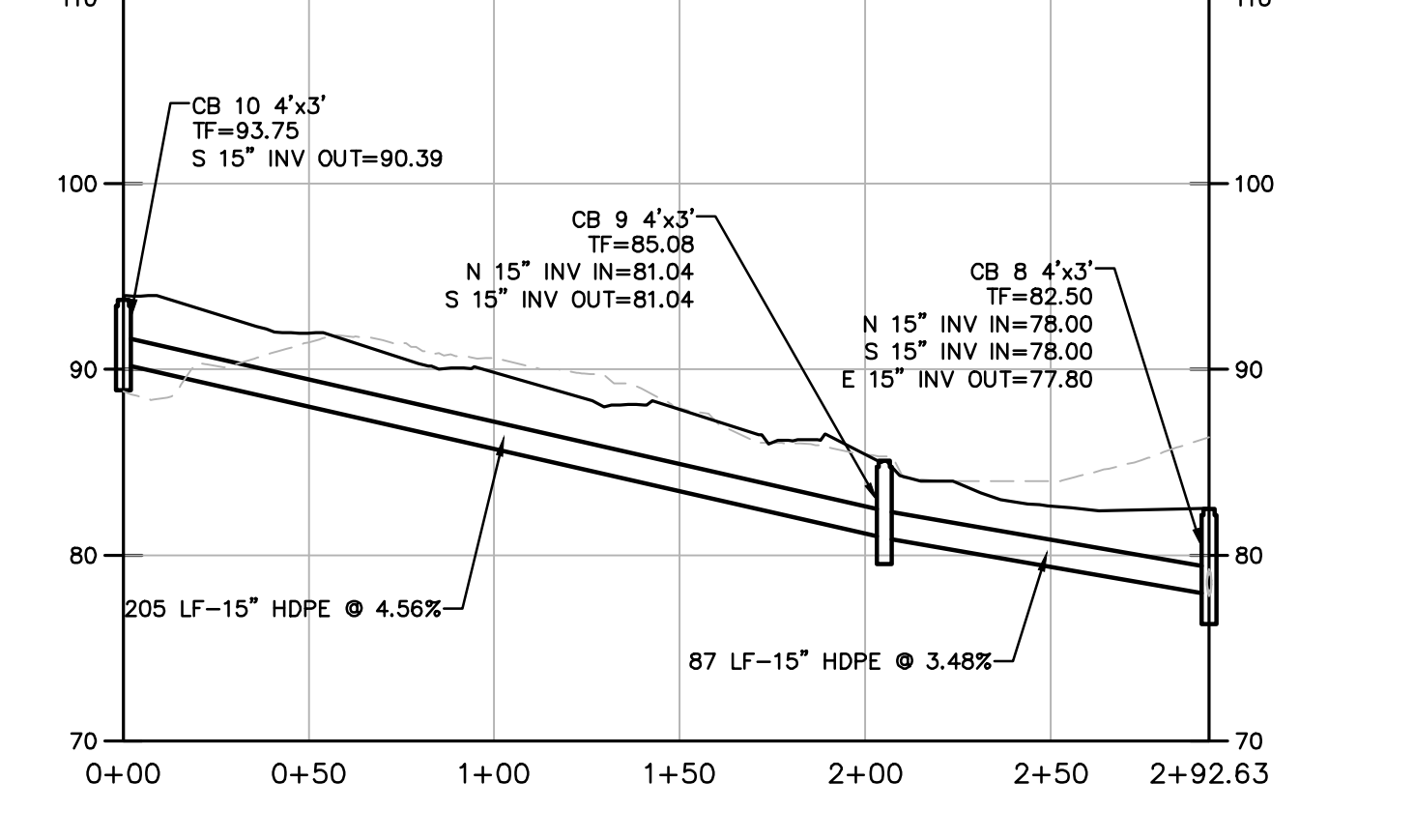
2 STORM PROFILE 2
SCALE: SCALE-H=1"=50'
SCALE-V=1"=10'



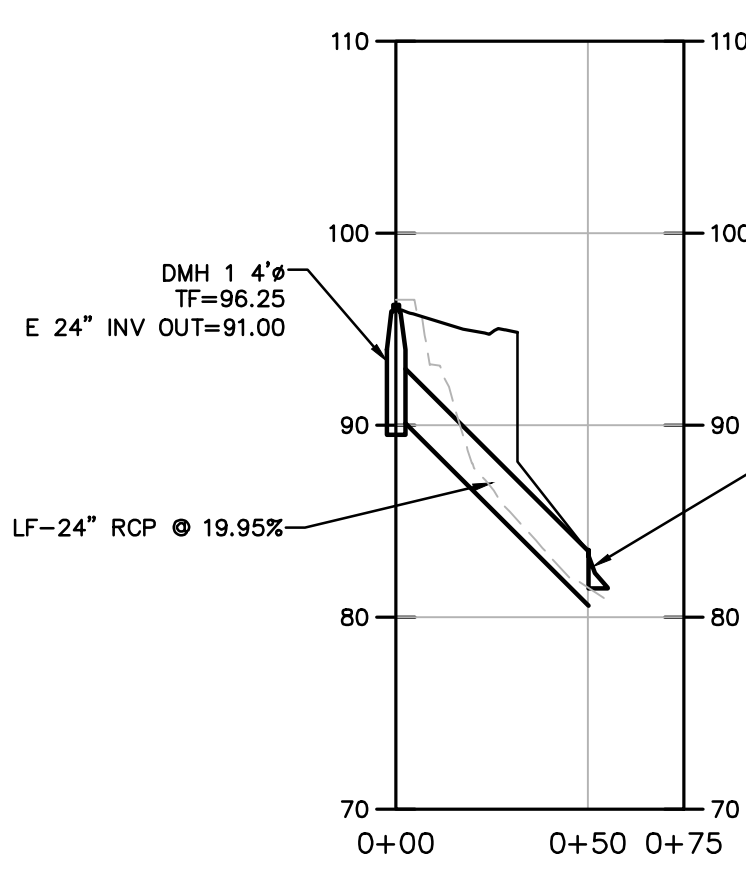
3 STORM PROFILE 3
SCALE: SCALE-H=1"=50'
SCALE-V=1"=10'



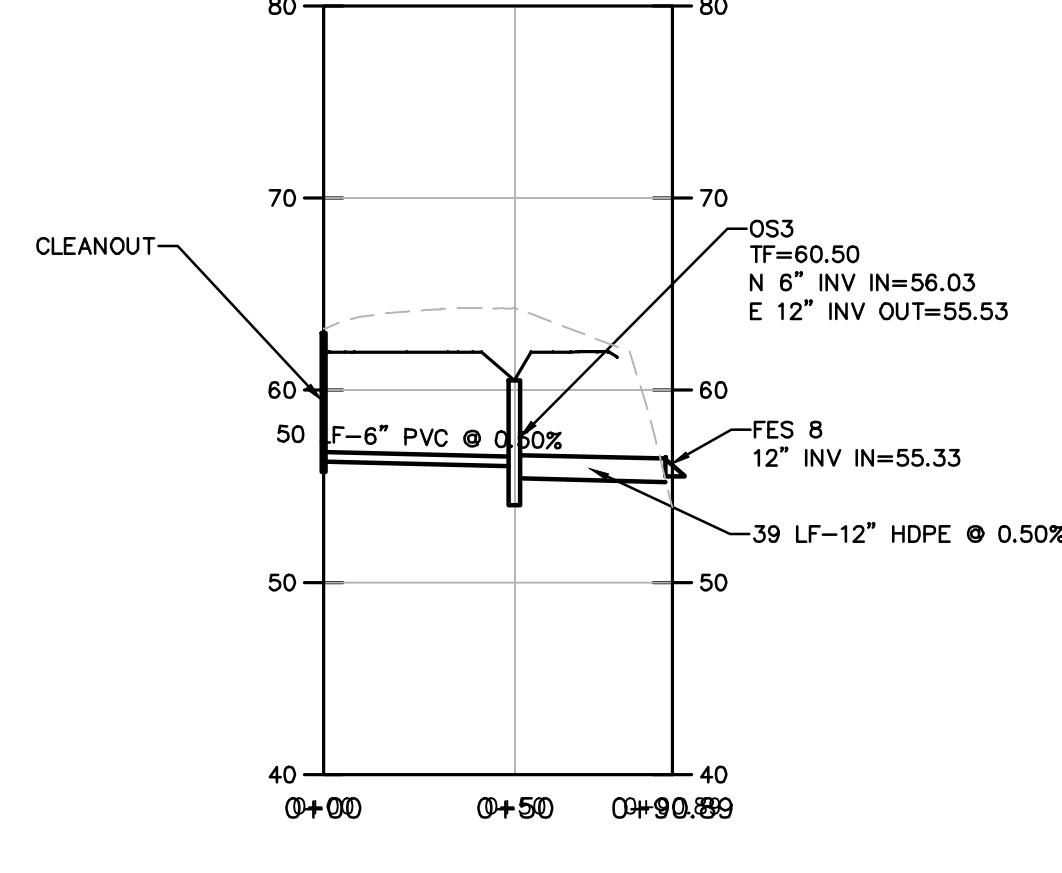
4 STORM PROFILE 4
SCALE: SCALE-H=1"=50'
SCALE-V=1"=10'



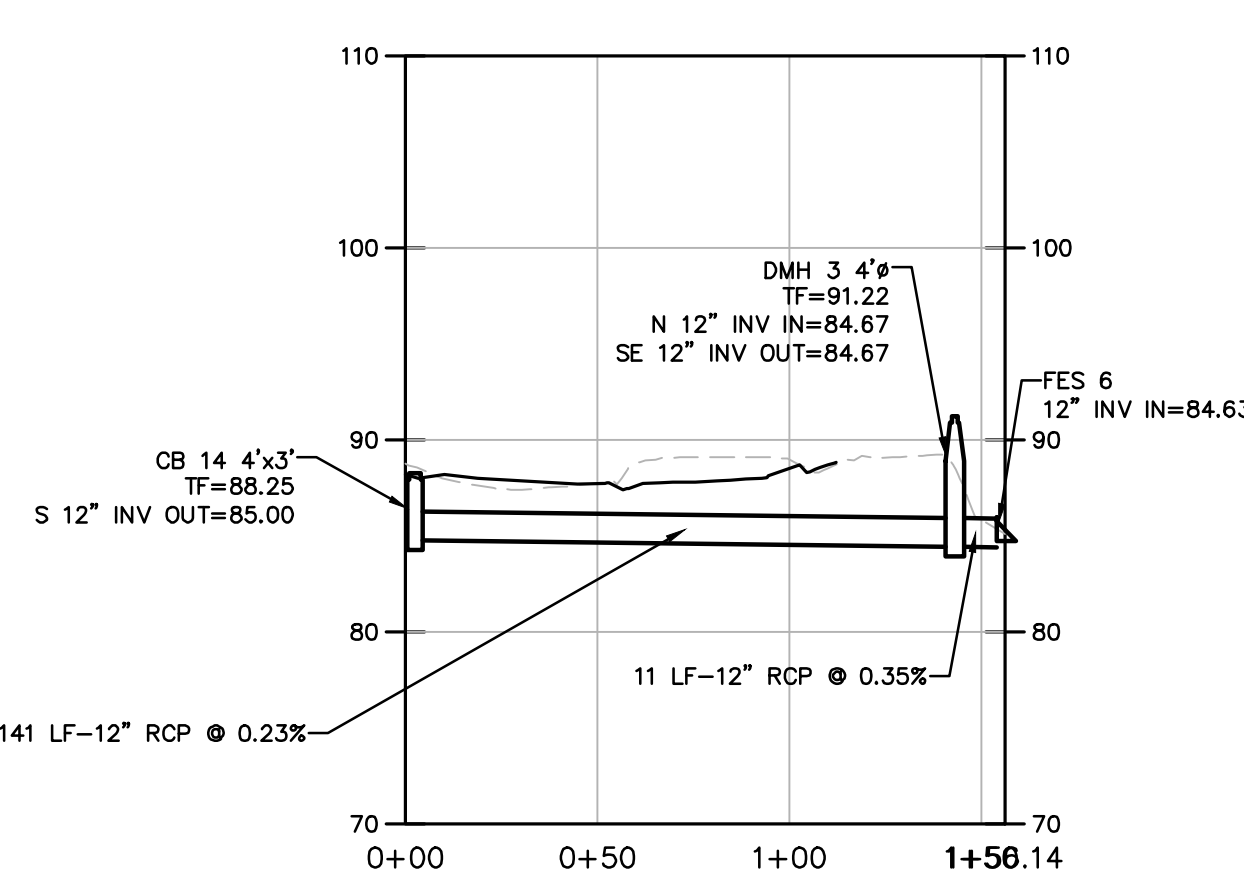
5 STORM PROFILE 5
SCALE: SCALE-H=1"=50'
SCALE-V=1"=10'



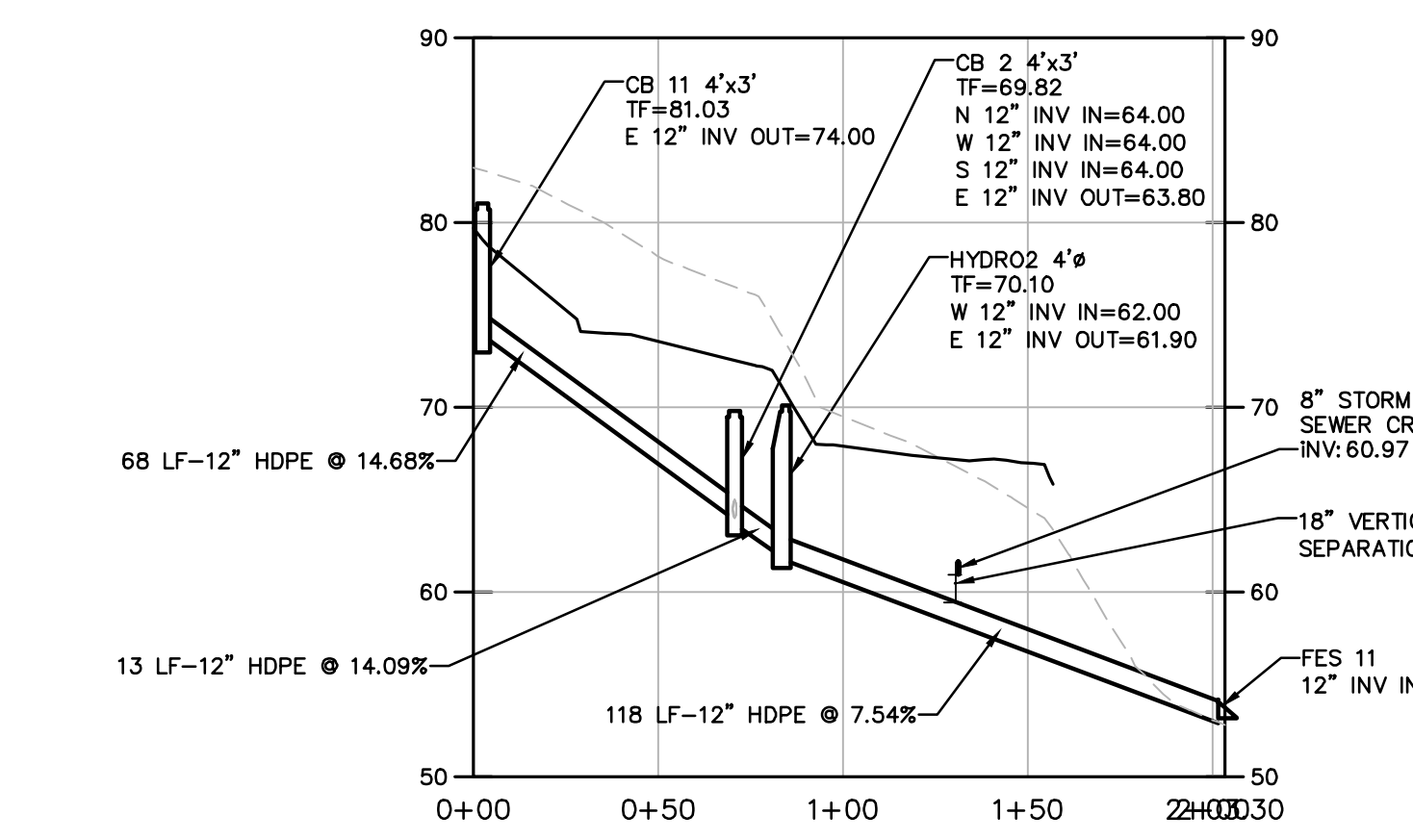
6 STORM PROFILE 6
SCALE: SCALE-H=1"=50'
SCALE-V=1"=10'



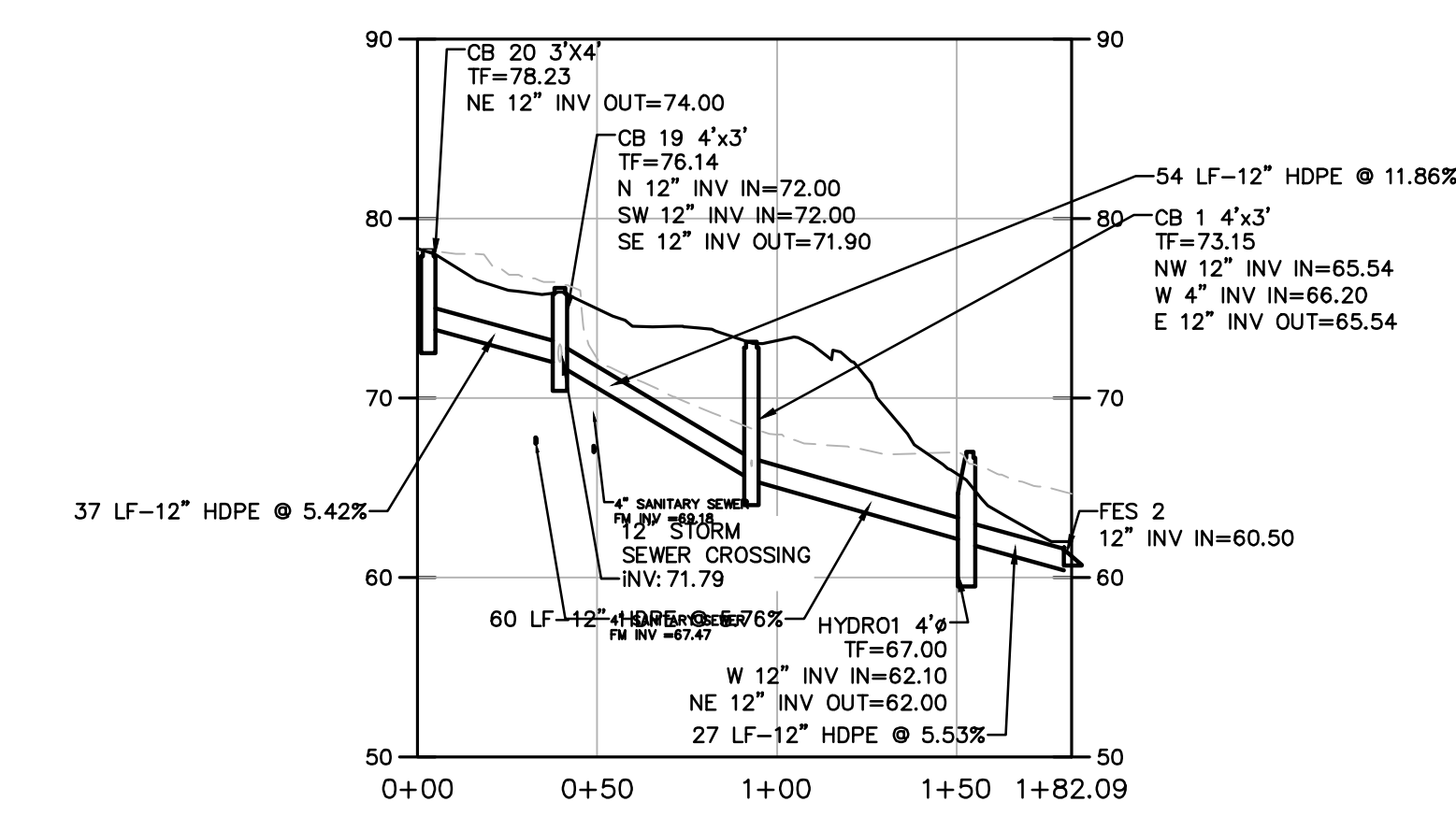
7 STORM PROFILE 7
SCALE: SCALE-H=1"=50'
SCALE-V=1"=10'



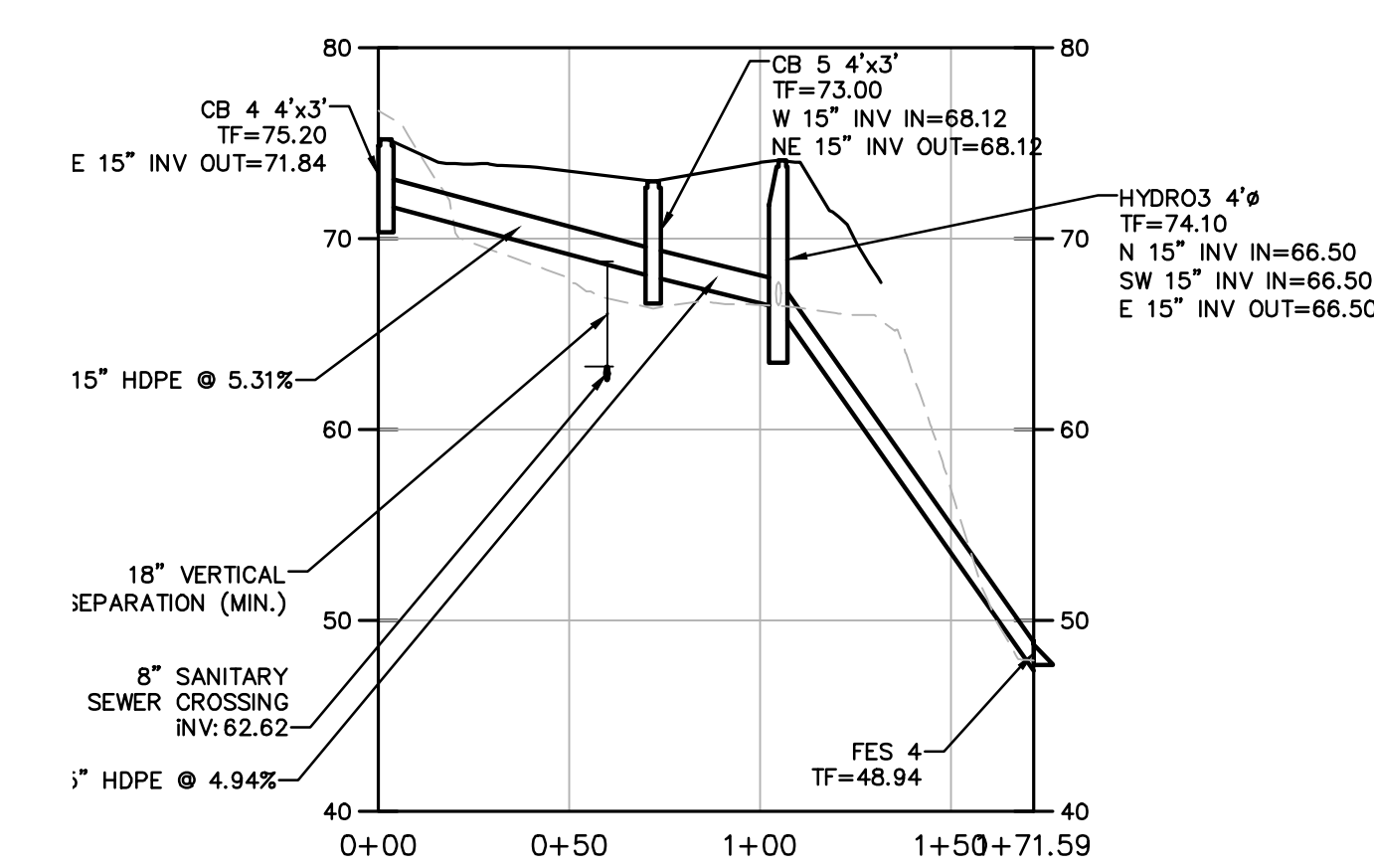
8 STORM PROFILE 8
SCALE: SCALE-H=1"=50'
SCALE-V=1"=10'



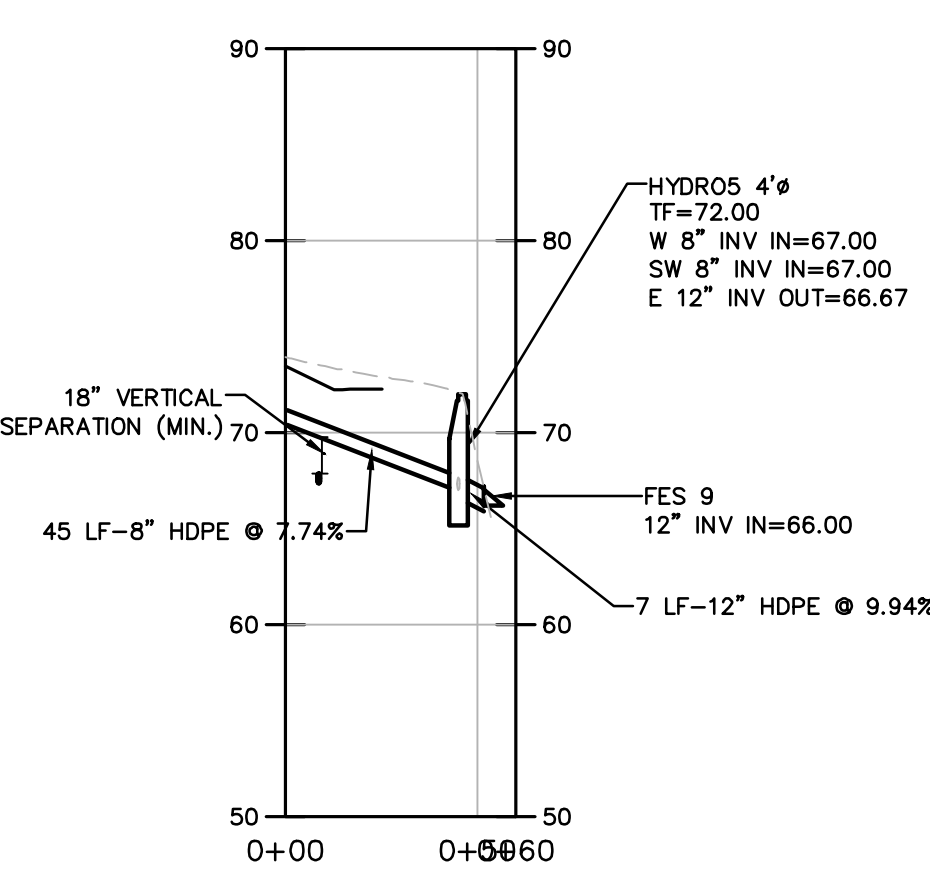
9 STORM PROFILE 9
SCALE: SCALE-H=1"=50'
SCALE-V=1"=10'



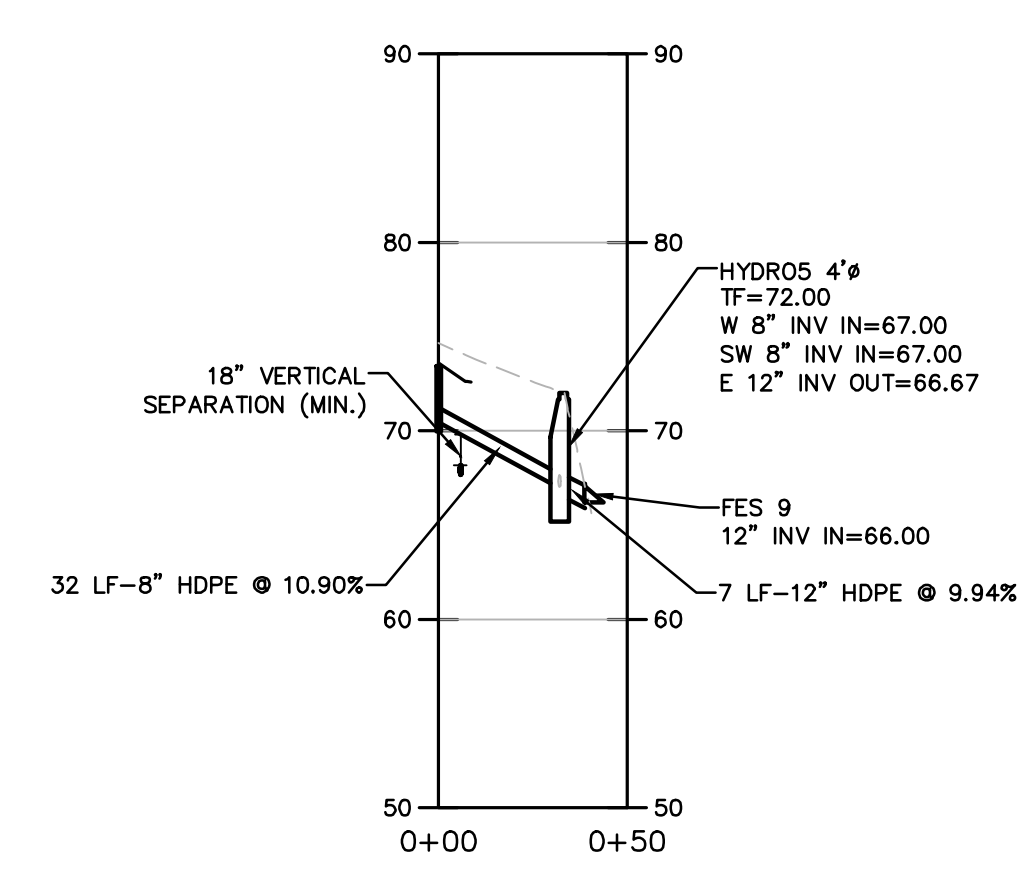
10 STORM PROFILE 10
SCALE: SCALE-H=1"=50'
SCALE-V=1"=10'



11 STORM PROFILE 11
SCALE: SCALE-H=1"=50'
SCALE-V=1"=10'



12 STORM PROFILE 12
SCALE: SCALE-H=1"=50'
SCALE-V=1"=10'



13 STORM PROFILE 13
SCALE: SCALE-H=1"=50'
SCALE-V=1"=10'

Dig Safely. New York.

- Call Before You Dig
- Mark the Required Time
- Confirm Utility Response
- Respect The Marks
- Obey the Signs

800-962-7962
www.digsafely.com

ALL RIGHTS RESERVED. COPY OR REPRODUCTION OF THIS DRAWING OR DOCUMENT OR ANY PORTION THEREOF WITHOUT THE EXPRESS WRITTEN PERMISSION OF CHAZEN ENGINEERING, LAND SURVEYING & LANDSCAPE ARCHITECTURE CO., D.P.C. IS PROHIBITED. THIS DRAWING OR DOCUMENT IS NOT INTENDED OR REPRESENTED TO BE SUITABLE FOR ANY PURPOSE OTHER THAN THAT FOR WHICH IT WAS DESIGNED. ANY MODIFICATION OF THIS DRAWING OR DOCUMENT OR ANY USE FOR ANY OTHER PURPOSE OR WITHOUT THE WRITTEN PERMISSION OF CHAZEN ENGINEERING, LAND SURVEYING & LANDSCAPE ARCHITECTURE CO., D.P.C. SHALL BE AT USER'S SOLE RISK AND WITHOUT LIABILITY TO CHAZEN ENGINEERING, LAND SURVEYING & LANDSCAPE ARCHITECTURE CO., D.P.C.

IF IT IS A VIOLATION OF NEW YORK STATE EDUCATION LAW FOR ANY PERSON TO ALTER THIS DRAWING OR DOCUMENT IN ANY MANNER, HE OR SHE IS ACTING UNDER THE DIRECTION OF A LICENSED DESIGN PROFESSIONAL (PROFESSIONAL ENGINEER, LAND SURVEYOR, ARCHITECT OR LANDSCAPE ARCHITECT). IF THIS DRAWING OR DOCUMENT IS ALTERED, THE ALTERING DESIGN PROFESSIONAL SHALL ATTEMPT TO BE DRAINED OF DOCUMENTS OF HIS OR HER FIRM, THE DOCUMENTS ALTERED BY FOLLOWED BY HIS OR HER SIGNATURE, THE DATE OF SUCH ALTERATION, AND A SPECIFIC DESCRIPTION OF THE ALTERATION.

Chazen COMPANIES
Provided to Employer Client

Engineers
Land Surveyors
Planners
Environmental & Safety Professionals
Landscape Architects

CHAZEN ENGINEERING, LAND SURVEYING & LANDSCAPE ARCHITECTURE CO., D.P.C.

Office Locations:

- Dutchess County Office: 21 Elm Street, Suite 110, Gloversville, NY 12041, Phone: (518) 441-3300
- North Country Office: 20 Elm Street, Suite 110, Gloversville, NY 12041, Phone: (518) 441-3300
- Northwest Tennessee Office: 2415 21st Ave S, Suite 1033, Nashville, Tennessee 37212, Phone: (615) 360-1368
- Worchester NY Office: 1 North Broadway, Suite 803, White Plains, New York 10601, Phone: (914) 967-8500
- Chattanooga Tennessee Office: 437 E. 9th St., Suite 203, Chattanooga, Tennessee 37403, Phone: (423) 241-6275

rev.	date	description

248 TIORONDA AVE., BEACON, N.Y.

UTILITY PROFILES 2

CITY OF BEACON, DUTCHESS COUNTY, NEW YORK

designed	checked
AFB	LAD
date	scale
09/10/18	AS SHOWN
PROJECT NO.	\$1750.00
SHEET NO.	C162
	R. of 17