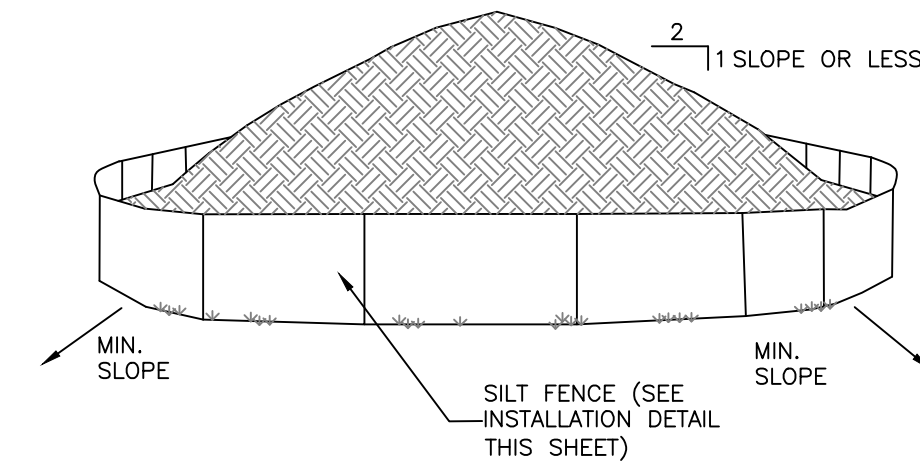
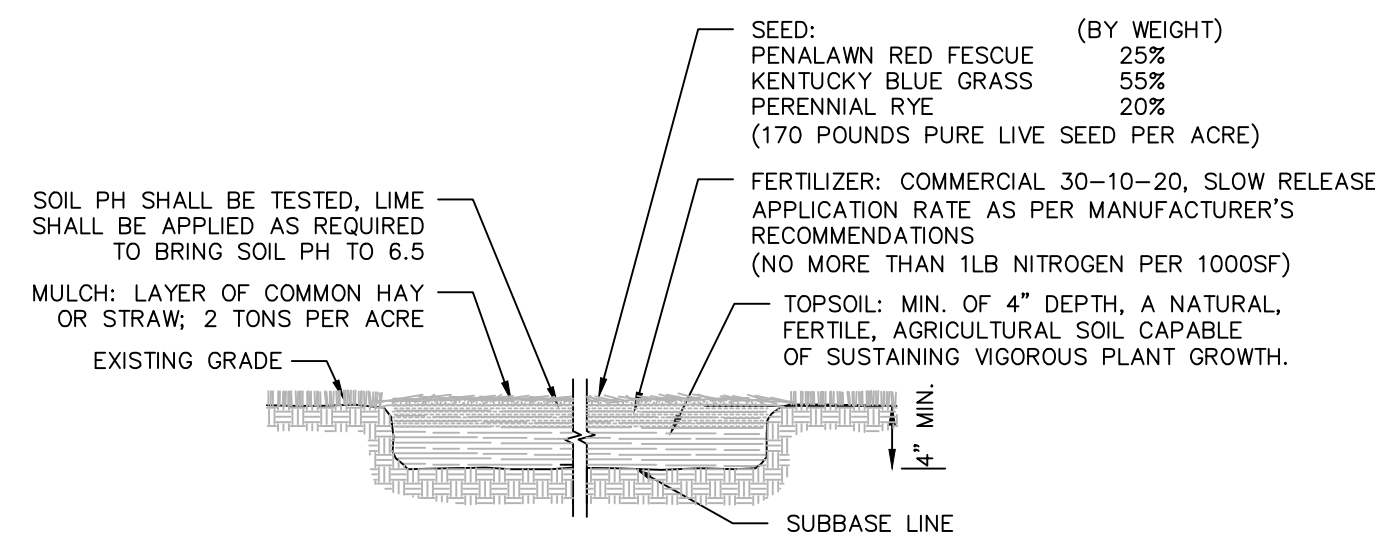


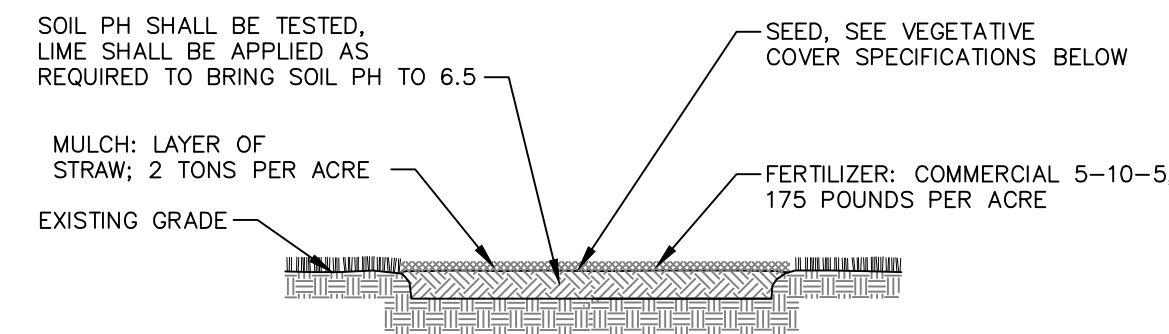
TREE DETAIL
NOT TO SCALE



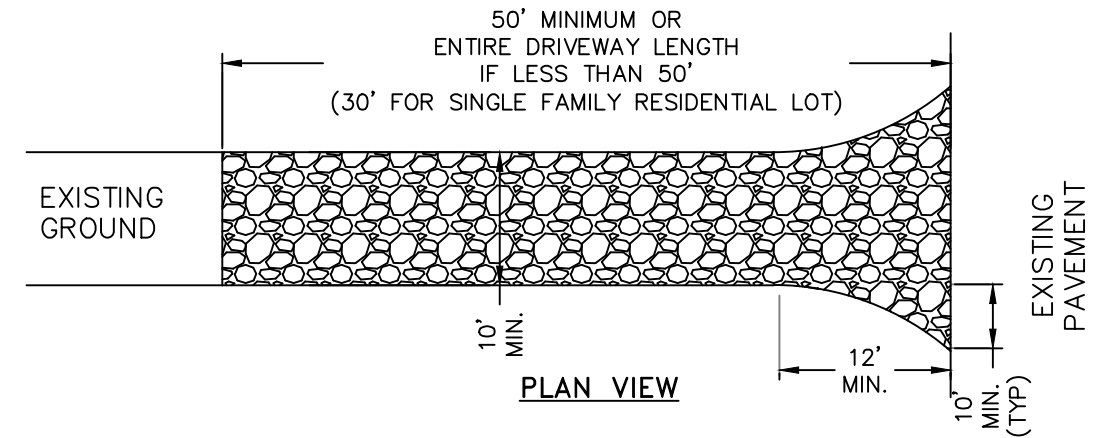
TEMPORARY SOIL STOCKPILE DETAIL
NOT TO SCALE



TOPSOIL SEED, FERTILIZER AND MULCH DETAIL
NOT TO SCALE

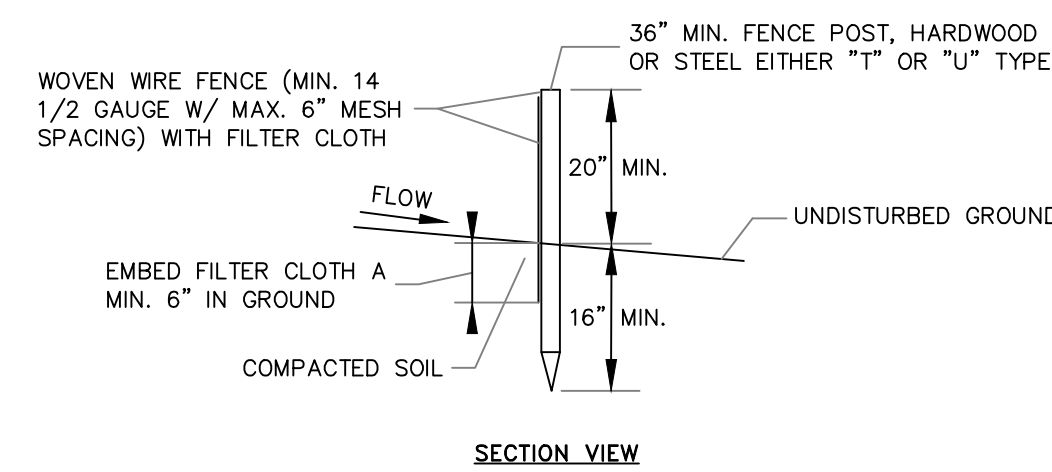
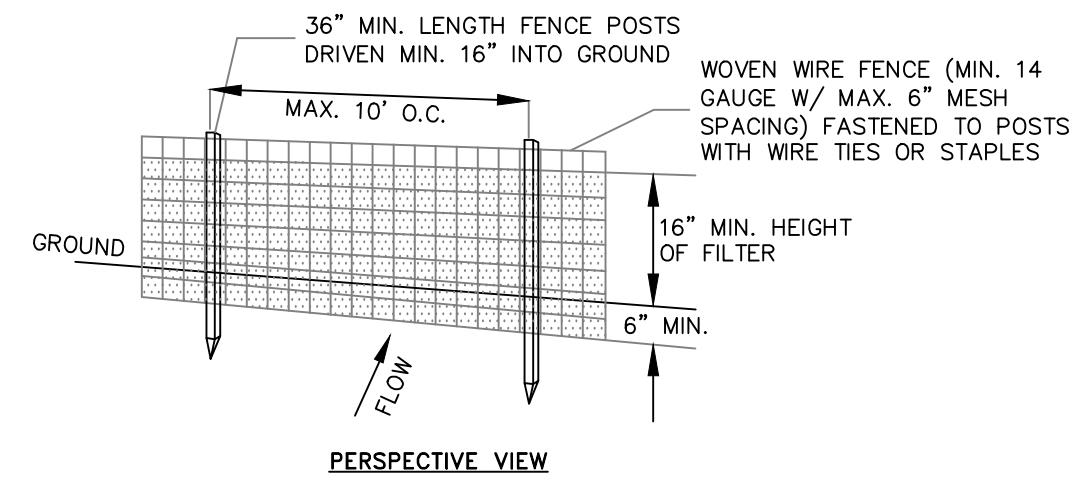


TEMPORARY SEEDING DETAIL
NOT TO SCALE



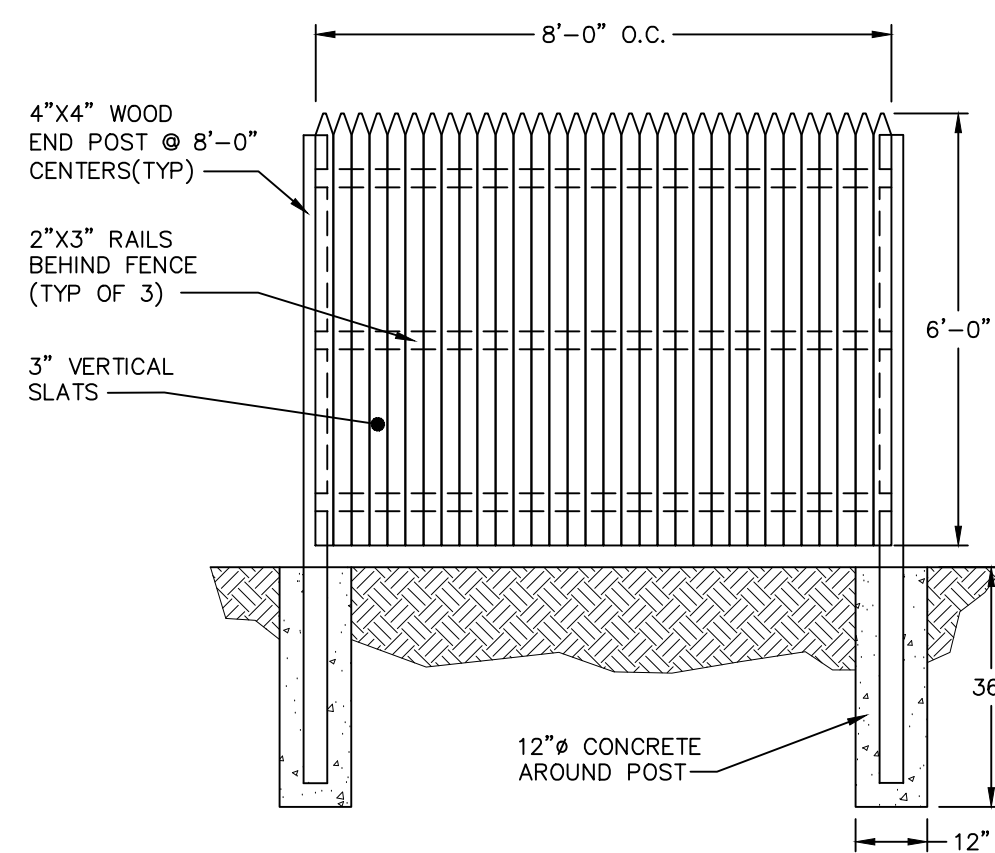
- NOTES:**
1. STONE SIZE - USE 1-4 INCH STONE, OR RECLAIMED OR RECYCLED CONCRETE EQUIVALENT.
 2. THICKNESS - NOT LESS THAN SIX (6) INCHES.
 3. WIDTH - 12 FOOT MINIMUM, BUT NOT LESS THAN THE FULL WIDTH AT POINTS WHERE INGRESS OR EGRESS OCCURS.
 4. GEOTEXTILE - WILL BE PLACED OVER THE ENTIRE AREA PRIOR TO PLACING OF STONE.
 5. SURFACE WATER - ALL SURFACE WATER FLOWING OR DIVERTED TOWARD CONSTRUCTION ENTRANCES SHALL BE PIPED BENEATH THE ENTRANCE. IF PIPING IS IMPRACTICAL, A MOUNTABLE BERM WITH 5:1 SLOPES WILL BE PERMITTED.
 6. MAINTENANCE - THE ENTRANCE SHALL BE MAINTAINED IN A CONDITION WHICH WILL PREVENT TRACKING OR FLOWING OF SEDIMENT ONTO PUBLIC RIGHTS-OF-WAY. THIS MAY REQUIRE PERIODIC TOP DRESSING WITH ADDITIONAL STONE AS CONDITIONS DEMAND AND REPAIR AND/OR CLEANOUT OF ANY MEASURE USED TO TRAP SEDIMENT. ALL SEDIMENT SPILLED, DROPPED, WASHED OR TRACTED ONTO PUBLIC RIGHTS-OF-WAY MUST BE REMOVED IMMEDIATELY.
 7. WHEN WASHING IS REQUIRED, IT SHALL BE DONE ON AN AREA STABILIZED WITH STONE AND WHICH DRAINS INTO AN APPROVED SEDIMENT TRAPPING DEVICE.
 8. PERIODIC INSPECTION AND NEEDED MAINTENANCE SHALL BE PROVIDED AFTER EACH RAIN.

STABILIZED CONSTRUCTION ENTRANCE DETAIL
NOT TO SCALE



- NOTES:**
1. FILTER CLOTH TO BE FASTENED SECURELY TO WOVEN WIRE FENCE WITH TIES SPACED EVERY 24" AT TOP AND MID SECTION.
 2. WHEN TWO SECTIONS OF FILTER CLOTH ADJOIN EACH OTHER THEY SHALL BE OVER-LAPPED BY SIX INCHES AND FOLDED. FILTER CLOTH SHALL BE EITHER FILTER X, MIRAFI 100X, STABILINKA T140N OR APPROVED EQUAL.
 3. PREFABRICATED UNITS SHALL BE GEOTEX, ENVIROFENCE OR APPROVED EQUAL.
 4. MAINTENANCE SHALL BE PERFORMED AS NEEDED AND MATERIAL REMOVED WHEN "BULGES" DEVELOP IN THE SILT FENCE.

SILT FENCE DETAIL
NOT TO SCALE



WOOD STOCKADE FENCE DETAIL
NOT TO SCALE

APPROVED BY RESOLUTION OF THE PLANNING BOARD OF THE CITY OF BEACON, NEW YORK, ON THE _____ DAY OF _____, 20____, SUBJECT TO ALL REQUIREMENTS AS STATED THEREIN.

SIGNED THIS _____ DAY OF _____, 20____, BY _____

CHAIRMAN, CITY PLANNING BOARD

DATE

DRAWN BY: CMB

CHECKED BY: DGK

REVISIONS:

REVISIONS:

NO.	DATE	DESCRIPTION	BY	NO.	DATE	DESCRIPTION	BY
1	11/26/19	PER PLANNING BOARD COMMENTS	AG				

BEFORE UNDERTAKING ANY DIGGING, DRILLING, BLASTING OR DISTURBANCE TO THE GROUND IN ANY WAY, FOR ANY REASON, ALL INDIVIDUALS MUST CONTACT
DIG SAFELY NEW YORK
AT
811 OR WWW.CALL811.COM



SEAL



HUDSON LAND DESIGN
PROFESSIONAL ENGINEERING P.C.
174 MAIN ST., BEACON, NEW YORK 12508
13 CHAMBERS ST., NEWBURGH, NEW YORK 12550
PH: 845-440-6926
F: 845-440-6637

CONSTRUCTION DETAILS

1182 NORTH AVENUE

1182 NORTH AVENUE
CITY OF BEACON
DUTCHESS COUNTY, NEW YORK
TAX ID: 5955-19-738049 & 5955-19-747060

JOB #: 2019-021

DATE: 10/29/19

SCALE: AS SHOWN

TITLE: CD-2

SHEET: 6 OF 6