

NOTES:
 1. EXCAVATION AND TRENCHING SHALL MEET ALL OSHA REQUIREMENTS.
 2. SUITABLE RUN OF TRENCH SHALL NOT INCLUDE FROZEN MATERIALS, DEBRIS, ORGANIC MATERIALS, LARGE STONES OR OTHER UNSUITABLE MATERIALS. IF THE RUN OF TRENCH MATERIAL IS FOUND TO BE UNSUITABLE, A SUITABLE BACKFILL MATERIAL SHALL BE IMPORTED AND USED.

NOTES:
 1. 10' SPACING OF CONTROL JOINTS SHALL BE USED FOR CAST IN PLACE CONCRETE CURBS.
 2. MATERIAL AND METHODS OF CONSTRUCTION SHALL BE IN CONFORMANCE WITH THE NEW YORK STATE DEPARTMENT OF TRANSPORTATION (NYSDOT) STANDARD SPECIFICATIONS FOR CONSTRUCTION AND MATERIALS, LATEST REVISION.
 3. ALL CONCRETE SHALL BE 3,500 PSI CLASS A CONCRETE. CONCRETE MATERIALS, PLACEMENT, AND CONSTRUCTION SHALL CONFORM WITH SECTION 500 OF THE ABOVE REFERENCED NYSDOT STANDARD SPECIFICATIONS.
 4. REINFORCING STEEL FOR CONCRETE SHALL CONFORM WITH SECTION 556 - REINFORCING STEEL FOR CONCRETE STRUCTURES OF THE ABOVE REFERENCED NYSDOT STANDARD SPECIFICATIONS AND AS SPECIFICALLY CALLED OUT IN THE DRAWINGS.
 5. ALL EXPOSED SURFACES SHALL HAVE A BROOM TEXTURED FINISH.
 6. EXPANSION JOINTS SHALL BE LOCATED A MAXIMUM OF 20'-0" ON CENTER, OR AS INDICATED ON PLANS.
 7. JOINTS SHALL NOT BE SAW CUT.
 8. EXPOSED CONCRETE SURFACES SHALL BE TREATED WITH "SUREBOND"/"SAFEOND" SB-7000 INTENSIFIER BRIGHT PROTECTOR AND SIDEWALK SEALER, OR EQUAL. RATE AND METHOD OF APPLICATION SHALL BE IN ACCORDANCE WITH MANUFACTURE'S RECOMMENDATIONS.
 9. SUBBASE MATERIAL SHALL CONFORM WITH SECTION 304 OF THE ABOVE REFERENCED NYSDOT STANDARD.
 10. WHERE IT IS NECESSARY TO PLACE FILL FOR PURPOSE OF BRINGING THE SUBGRADE ELEVATION UP TO A SPECIFIED GRADE, THE FILL MATERIAL PLACED SHALL BE IN CONFORMANCE WITH SECTION 203-EXCAVATION AND EMBANKMENT OF THE ABOVE REFERENCED NYSDOT STANDARD SPECIFICATIONS.
 11. ALL WORK SHALL CONFORM WITH SECTION 608-SIDEWALK, DRIVEWAYS, AND BICYCLE PATHS OF THE ABOVE REFERENCED NYSDOT STANDARD SPECIFICATIONS.
 12. SPACING OF EXPANSION JOINTS ON CONCRETE RESTORED SIDEWALKS SHALL MATCH THE CURRENT SPACING OF EXPANSION JOINTS ON EXISTING SIDEWALK.

CONCRETE SIDEWALK DETAIL
NOT TO SCALE

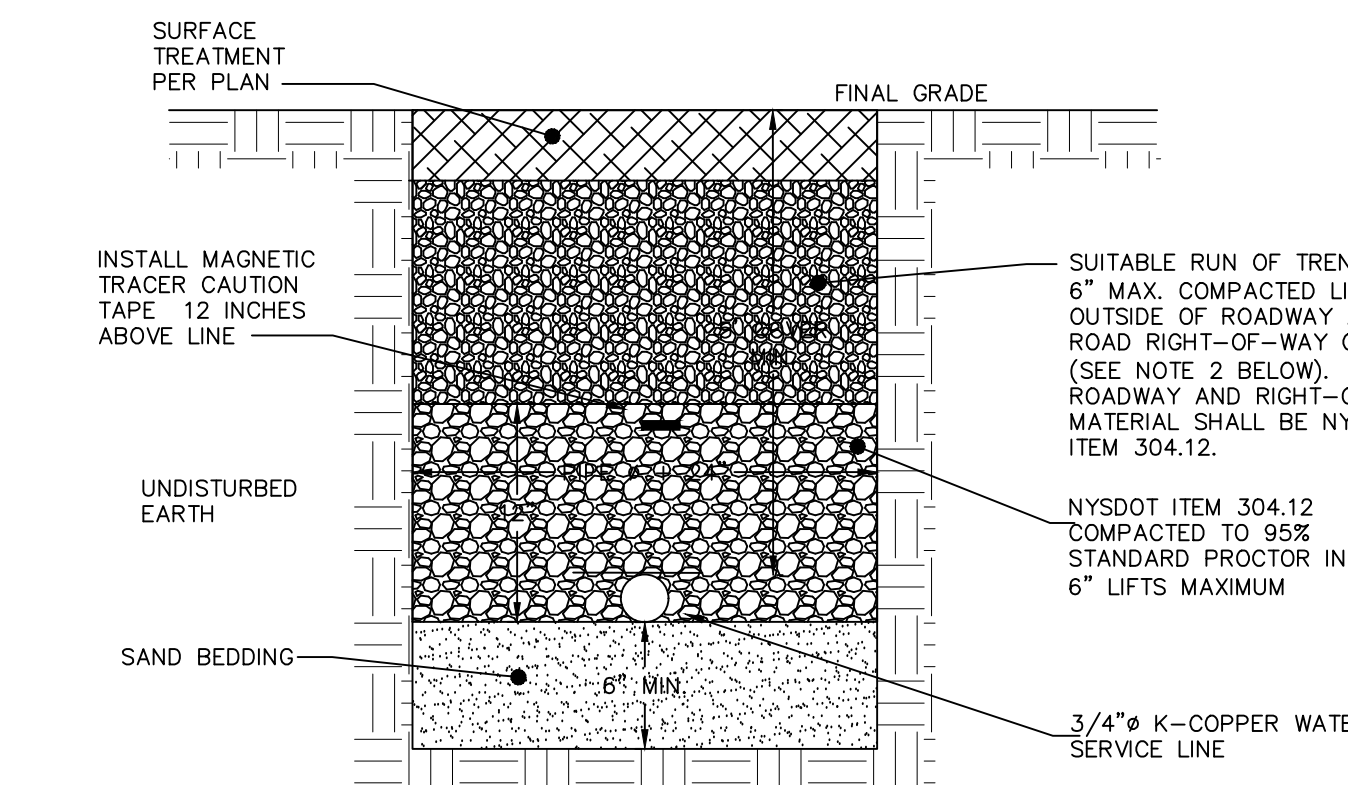
NOTE:
 1. RESEED AND STABILIZE GRASS AREAS AFTER ASPHALT AND CONCRETE INSTALLATION.

LOT 1 & 2 DRIVEWAY ENTRANCE DETAIL
NOT TO SCALE

NOTES:
 1. A MINIMUM 5' COVER SHALL BE PROVIDED ON THE WATER SERVICE LINE (CONDITIONED ON ACTUAL WATER MAIN DEPTH).
 2. CORPORATION STOP TO BE COMPRESSION TYPE BY MUELLER.
 3. WATER SERVICE LINE TO HAVE A "GOOSENECK" NEAR CORPORATION STOP.
 4. CORPORATION STOP TO BE INSTALLED IN THE UPPER HALF OF THE WATER MAIN AT AN ANGLE OF APPROXIMATELY 45° FROM HORIZONTAL.
 5. THE CONTRACTOR SHALL INSTALL A FULL BODIED STAINLESS STEEL TAPPING SLEEVE AT THE PROPOSED WATER SERVICE LOCATION.

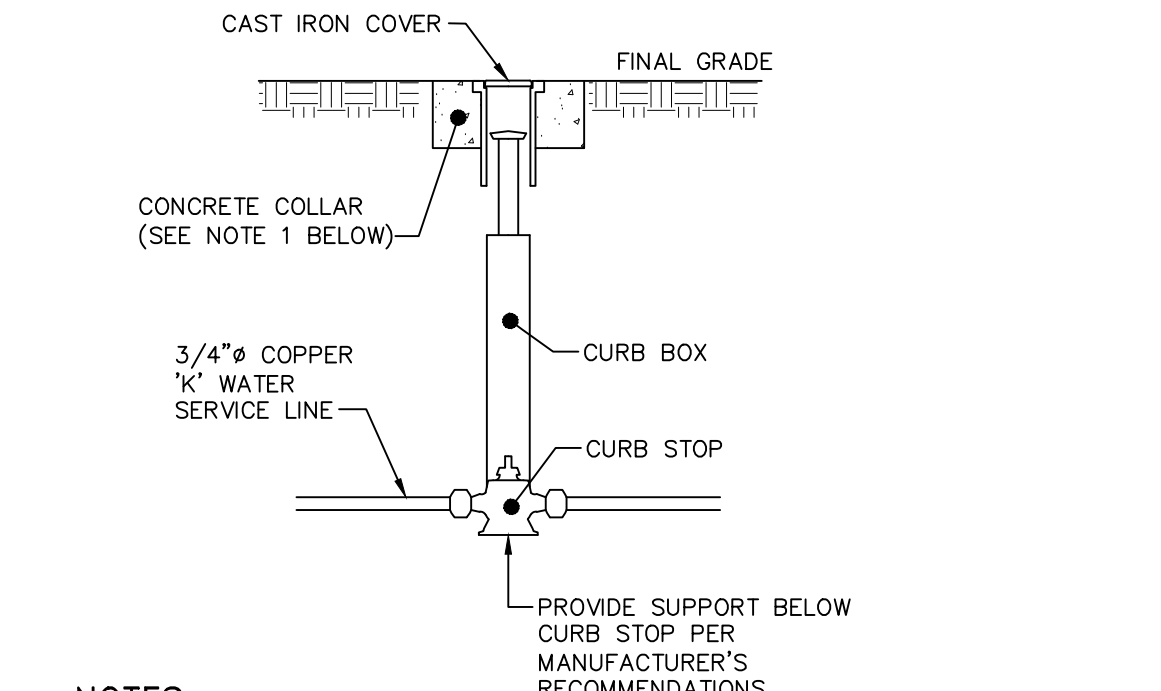
WATER SERVICE CONNECTION DETAIL
NOT TO SCALE

SANITARY SEWER SERVICE LINE TRENCH DETAIL
NOT TO SCALE



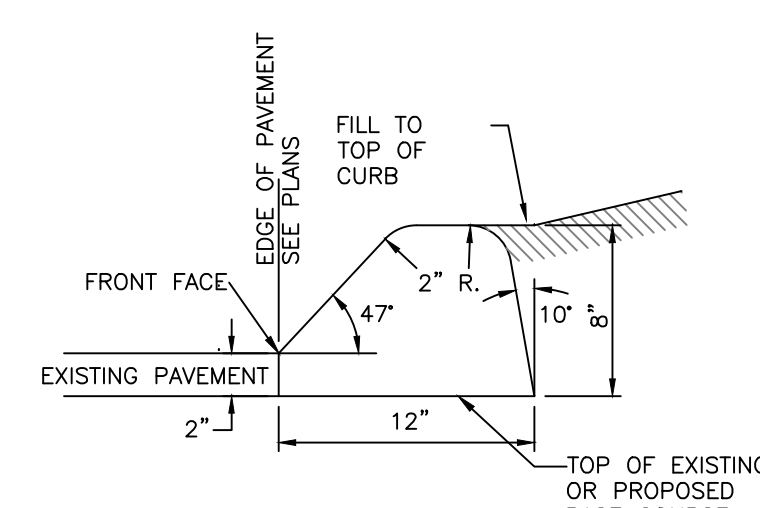
NOTES:
 1. EXCAVATION AND TRENCHING SHALL MEET ALL OSHA REQUIREMENTS.
 2. SUITABLE RUN OF TRENCH SHALL NOT INCLUDE FROZEN MATERIALS, DEBRIS, ORGANIC MATERIALS, ENLARGED PARTICLES, LARGE STONES OR OTHER UNSUITABLE MATERIALS. IF THE RUN OF TRENCH MATERIAL IS FOUND TO BE UNSUITABLE, A SUITABLE BACKFILL MATERIAL SHALL BE IMPORTED AND USED.
 3. IN AREAS WHERE 5' COVER REQUIREMENT CANNOT BE MET, THE CONTRACTOR SHALL PROVIDE PIPE INSULATION TO PREVENT FREEZING.
 4. IF WATER SERVICE AND SEWER SERVICE LINE CROSSINGS ARE NEEDED, PROVIDE 18" OF VERTICAL SEPARATION

WATER SERVICE LINE TRENCH DETAIL
NOT TO SCALE



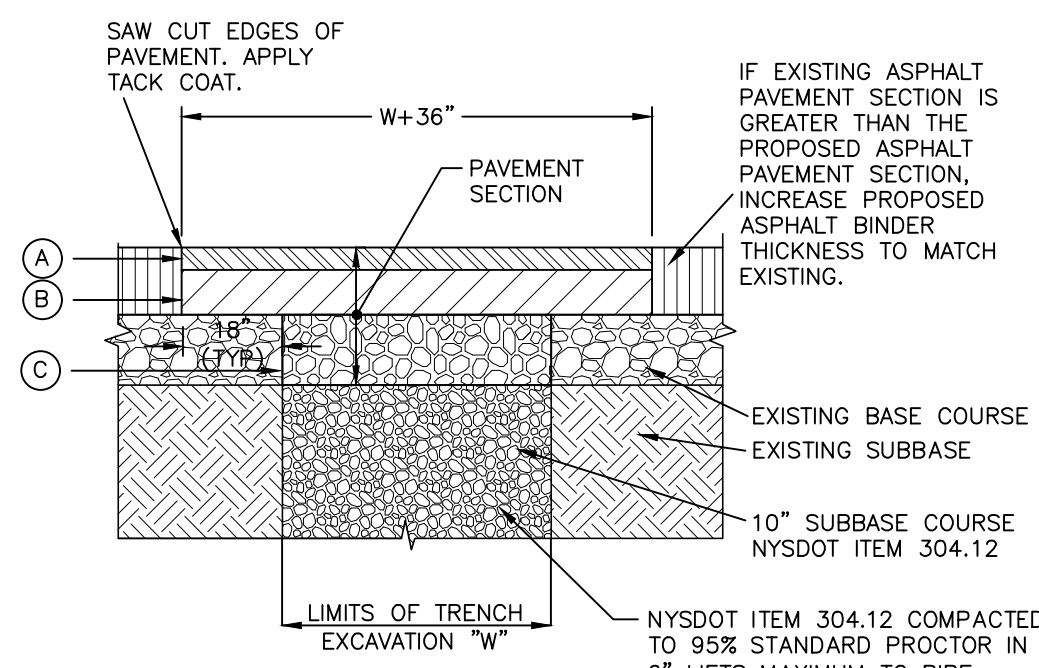
NOTES:
 1. CONCRETE COLLAR TO BE PROVIDED IN AREAS THAT ARE NOT PAVED. THE COLLAR SHALL BE 6" FROM THE COVER AND SHALL EXTEND 6" BELOW FINAL GRADE.
 2. CURB STOP TO BE COMPRESSION TYPE BY MUELLER.
 3. AREA AROUND CURB BOX TO BE BACKFILLED WITH GRAVELLY MATERIAL.

WATER SHUT-OFF VALVE DETAIL
NOT TO SCALE



NOTE:
 DIMENSIONS SHOWN ARE STANDARD. ADJUSTMENTS TO THE ABOVE DIMENSIONS SHALL BE MADE TO MATCH EXISTING ASPHALT CURB.

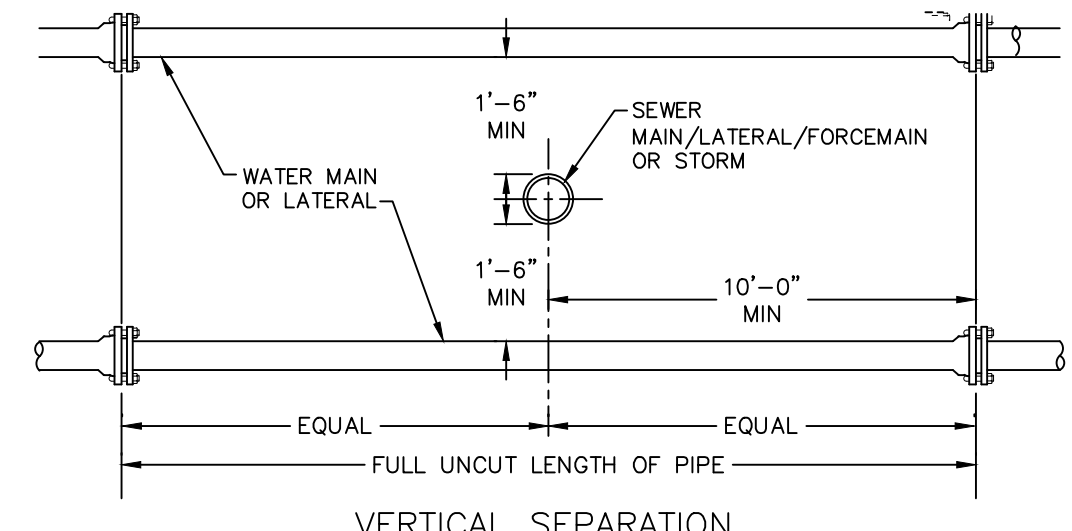
ASPHALT CURB DETAIL
NOT TO SCALE



LEGEND
 (A) 1.5" ASPHALT CONCRETE TOP COURSE- NYSDOT TYPE F1
 (B) 3.0" ASPHALT CONCRETE BINDER COURSE- NYSDOT TYPE F9
 (C) 3.0" ASPHALT BASE COURSE- NYSDOT TYPE F9

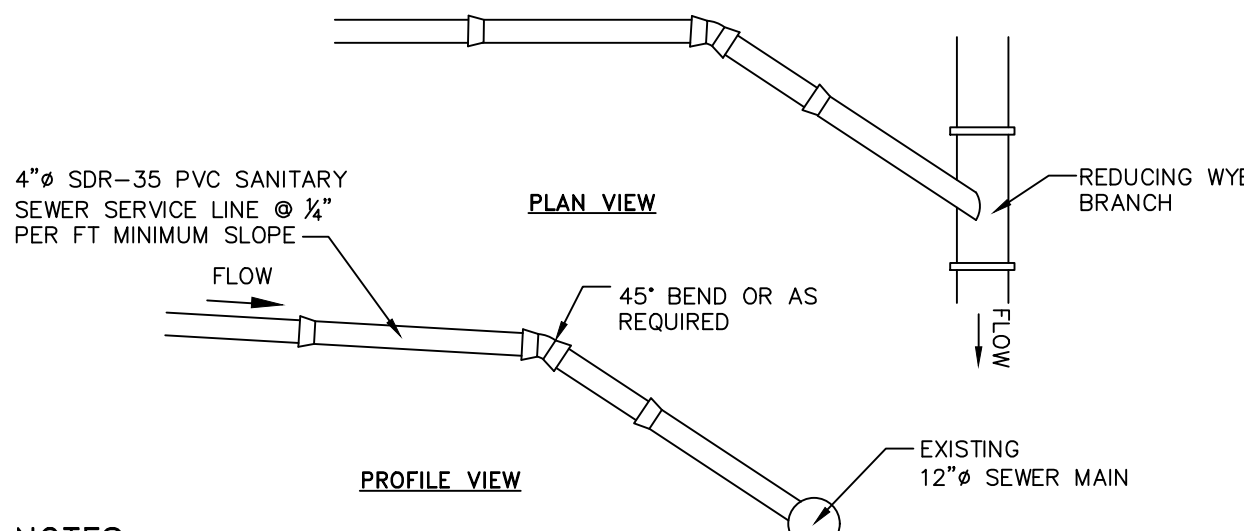
NOTES:
 1. SAW CUT MIN. 18" BEYOND EXCAVATION WITH SMOOTH EDGES. 18" JOINT BETWEEN EXISTING AND NEW TOP COURSE TO BE MILLED. JOINT TO BE SEALED WITH POLYMER MODIFIED SEALER.
 2. FURNISH, PLACE, AND COMPACT SUBBASE.
 3. TACK COAT IN ACCORDANCE WITH NYSDOT STANDARD SPEC.
 4. FURNISH AND PLACE ASPHALT CONCRETE PAVEMENT AS SPECIFIED.

PAVEMENT RESTORATION DETAIL
NOT TO SCALE



NOTE:
 1. NO DEVIATION IN THE SEPARATION REQUIREMENTS WILL BE PERMITTED WITHOUT THE EXPRESS APPROVAL OF THE DUTCHESS COUNTY DEPARTMENT OF HEALTH AND THE CITY OF BEACON. CONCRETE ENCASUREMENT OF WATERLINE OR OFFSETTING OF WATERLINE SHALL BE REQUIRED WHERE SEPARATION DISTANCES CANNOT BE MAINTAINED.

WATER LINE SEPARATION DETAIL
NOT TO SCALE

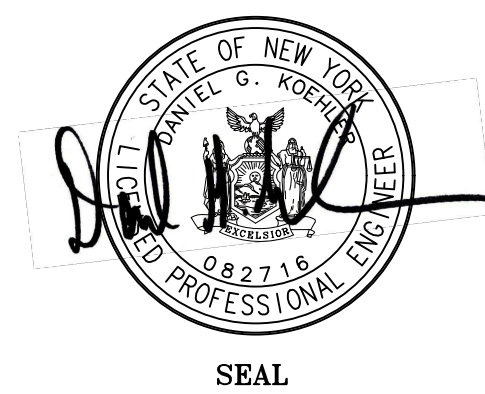


NOTES:
 1. EXCAVATION AND TRENCHING SHALL MEET ALL OSHA REQUIREMENTS.
 2. SUITABLE RUN OF TRENCH SHALL NOT INCLUDE FROZEN MATERIALS, DEBRIS, ORGANIC MATERIALS, LARGE STONES OR OTHER UNSUITABLE MATERIALS. IF THE RUN OF TRENCH MATERIAL IS FOUND TO BE UNSUITABLE, A SUITABLE BACKFILL MATERIAL SHALL BE IMPORTED AND USED.
 3. TAPPING SADDLE FOR CONNECTION OF THE PROPOSED SEWER SERVICE LINE TO THE EXISTING SEWER MAIN TO BE A 4" PREDDCO HUB TAP SADDLE - MODEL #HTS4/E.

SANITARY SEWER SERVICE CONNECTION DETAIL
NOT TO SCALE

DRAWN BY: CMB				CHECKED BY: DGK			
REVISIONS:				REVISIONS:			
NO.	DATE	DESCRIPTION	BY	NO.	DATE	DESCRIPTION	BY
1	11/26/19	PER PLANNING BOARD COMMENTS	AG				

BEFORE UNDERTAKING ANY DIGGING, DRILLING, BLASTING OR DISTURBANCE TO THE GROUND IN ANY WAY, FOR ANY REASON, ALL INDIVIDUALS MUST CONTACT
 DIG SAFELY NEW YORK
 AT
 811 OR WWW.CALL811.COM



HUDSON LAND DESIGN
 HUDSON LAND DESIGN
 PROFESSIONAL ENGINEERING P.C.
 174 MAIN ST., BEACON, NEW YORK 12508
 13 CHAMBERS ST., NEWBURGH, NEW YORK 12550
 PH: 845-440-6926
 F: 845-440-6637

CONSTRUCTION DETAILS
 1182 NORTH AVENUE
 1182 NORTH AVENUE
 CITY OF BEACON
 DUTCHESS COUNTY, NEW YORK
 TAX ID: 5955-19-738049 & 5955-19-747060

JOB #: 2019-021
DATE: 10/29/19
SCALE: AS SHOWN
TITLE: CD-1
SHEET: 5 OF 6