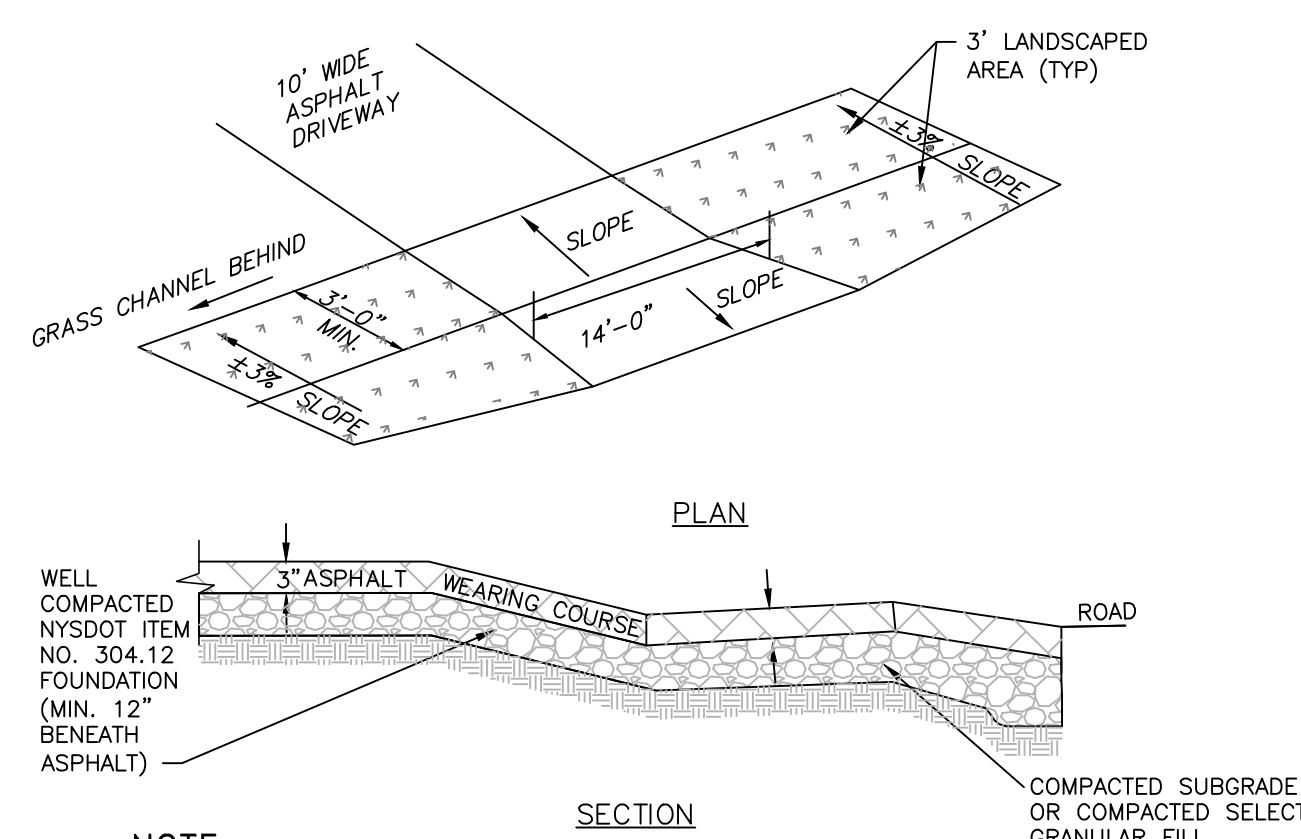
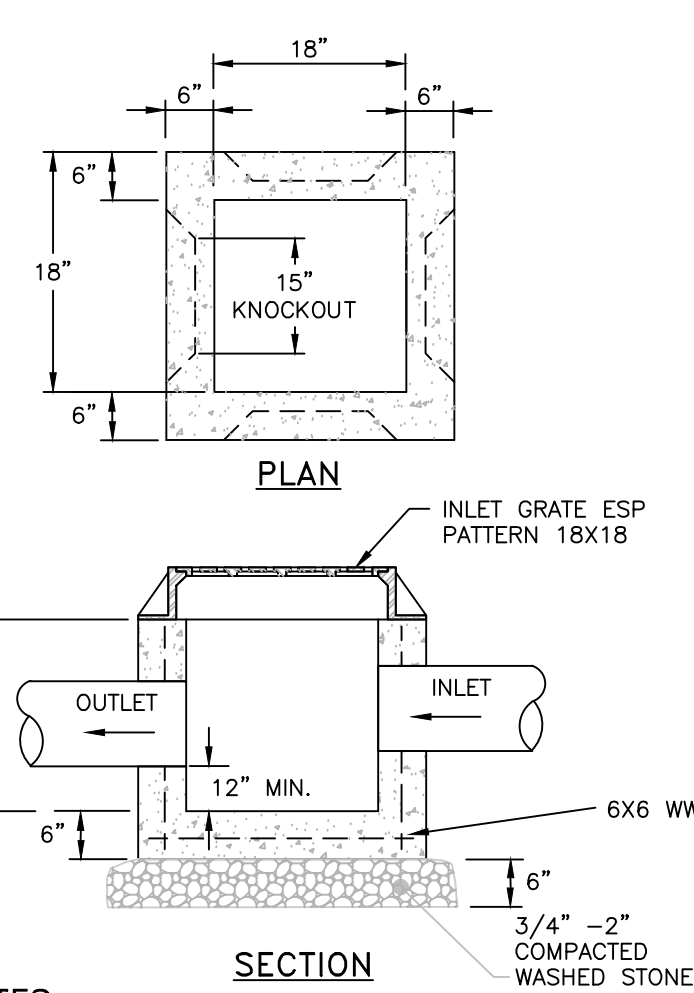


NOTES:
 1. A MINIMUM 5' COVER SHALL BE PROVIDED ON THE WATER SERVICE LINE (CONDITIONED ON ACTUAL WATER MAIN DEPTH).
 2. CORPORATION STOP TO BE COMPRESSION TYPE BY MUELLER.
 3. WATER SERVICE LINE TO HAVE A 'GOOSENECK' NEAR CORPORATION STOP.
 4. CORPORATION STOP TO BE INSTALLED IN THE UPPER HALF OF THE WATER MAIN AT AN ANGLE OF APPROXIMATELY 45° FROM HORIZONTAL.
 5. THE CONTRACTOR SHALL INSTALL A FULL BODIED STAINLESS STEEL TAPPING SLEEVE AT THE PROPOSED WATER SERVICE LOCATION.



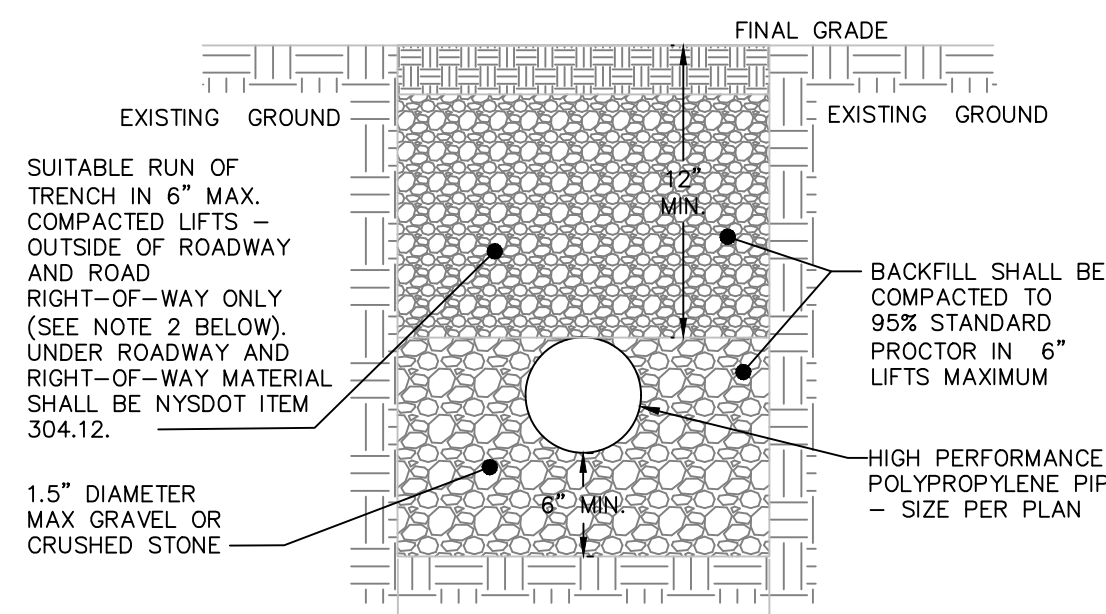
NOTE:
 1. RESEED AND STABILIZE GRASS AREAS AFTER ASPHALT INSTALLATION.



NOTES:
 1. YARD INLET BASINS SHALL BE PRE CAST REINFORCED CONCRETE SHALL HAVE A MINIMUM 28-DAY COMPRESSIVE STRENGTH OF 4,000 PSI AND SHALL BE IN CONFORMANCE WITH ASTM 478-68. WALLS AND BASE SHALL BE ONE PIECE CONSTRUCTION. YARD INLET BASIN SHOWN BY EXPANDED SUPPLY PRODUCTS (ESP), 3330 ROUTE 9, COLD SPRING, NY (845) 265-3771.
 2. BACK FILL USING SELECT MATERIAL, COMPACTED IN 6" LIFTS.
 3. SUMP SHALL BE 12" MIN.
 4. FRAMES AND GRATES SHALL BE SET IN A FULL BED OF MORTAR.

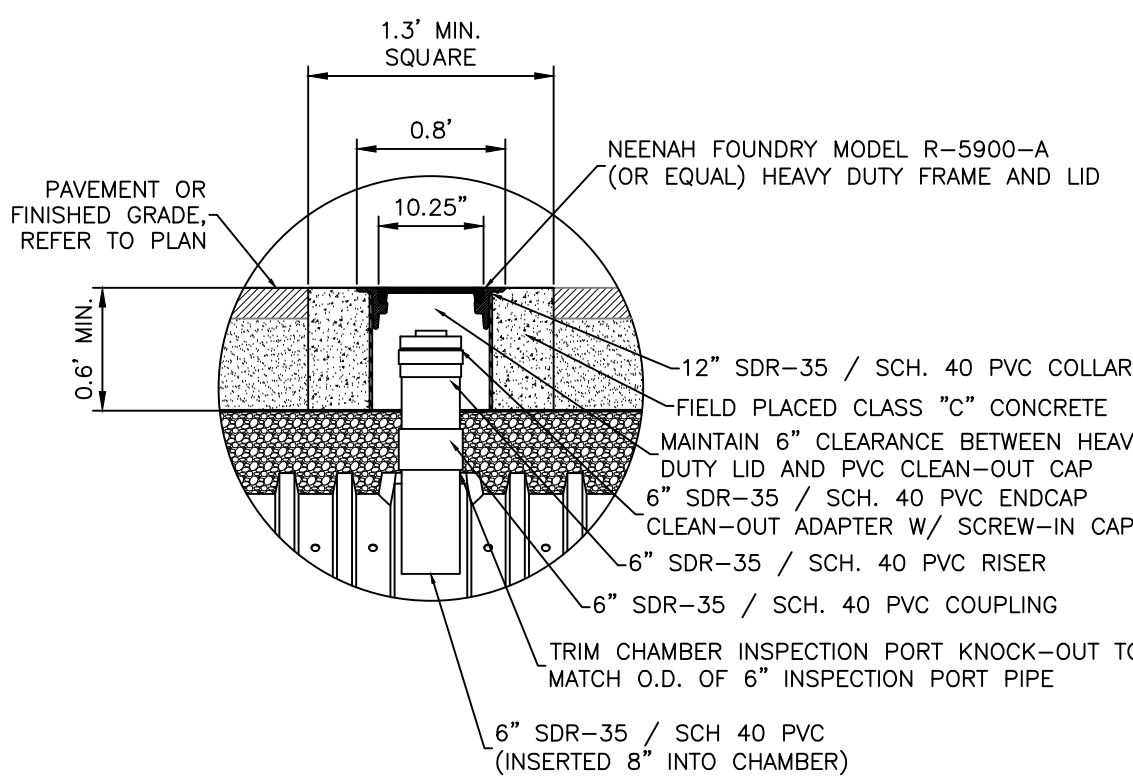
NOTES:
 1. EXCAVATION AND TRENCHING SHALL MEET ALL OSHA REQUIREMENTS.
 2. SUITABLE RUN OF TRENCH SHALL NOT INCLUDE FROZEN MATERIALS, DEBRIS, ORGANIC MATERIALS, ENLARGED PARTICLES, LARGE STONES OR OTHER UNSUITABLE MATERIALS. IF THE RUN OF TRENCH MATERIAL IS FOUND TO BE UNSUITABLE, A SUITABLE BACKFILL MATERIAL SHALL BE IMPORTED AND USED.
 3. IN AREAS WHERE 5' COVER REQUIREMENT CANNOT BE MET, THE CONTRACTOR SHALL PROVIDE PIPE INSULATION TO PREVENT FREEZING.
 4. IF WATER SERVICE AND SEWER SERVICE LINE CROSSINGS ARE NEEDED, PROVIDE 18" OF VERTICAL SEPARATION.

WATER SERVICE LINE TRENCH DETAIL
NOT TO SCALE



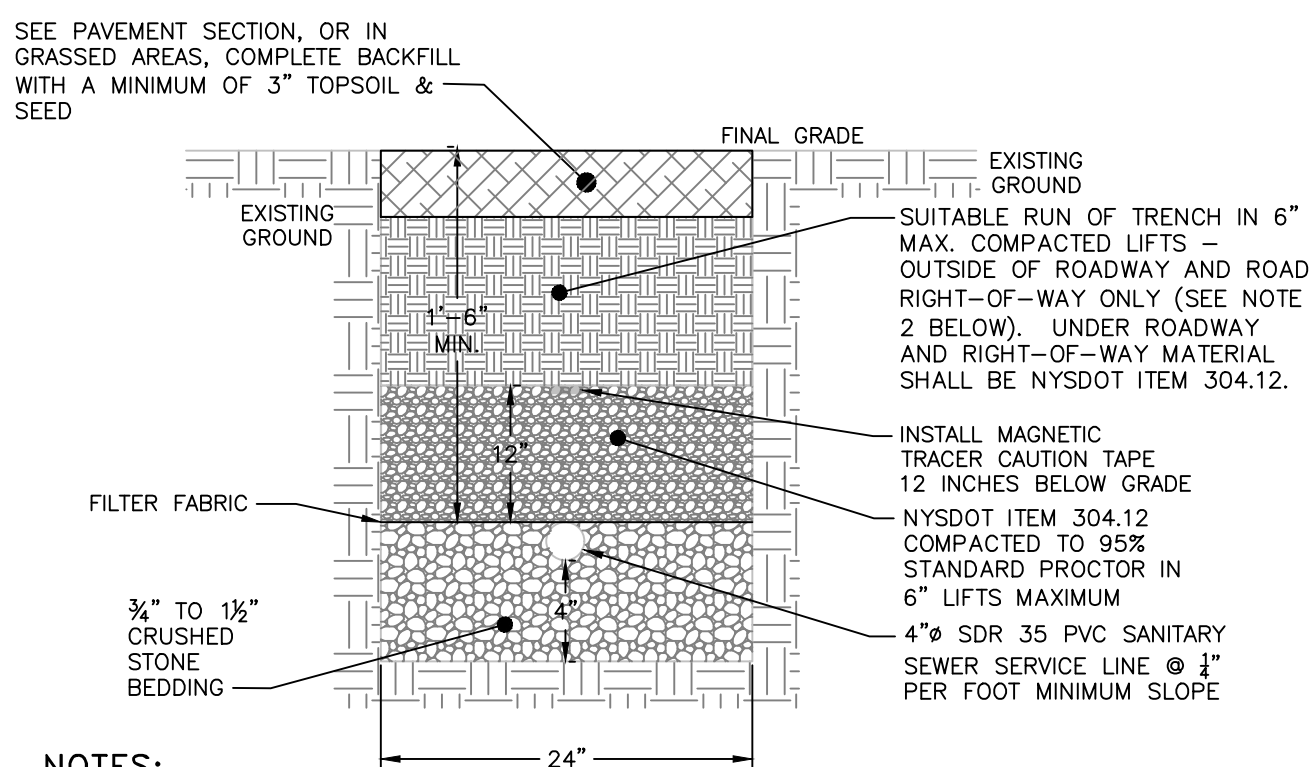
NOTES:
 1. EXCAVATION AND TRENCHING SHALL MEET ALL OSHA REQUIREMENTS.

STORM LINE TRENCH DETAIL
NOT TO SCALE



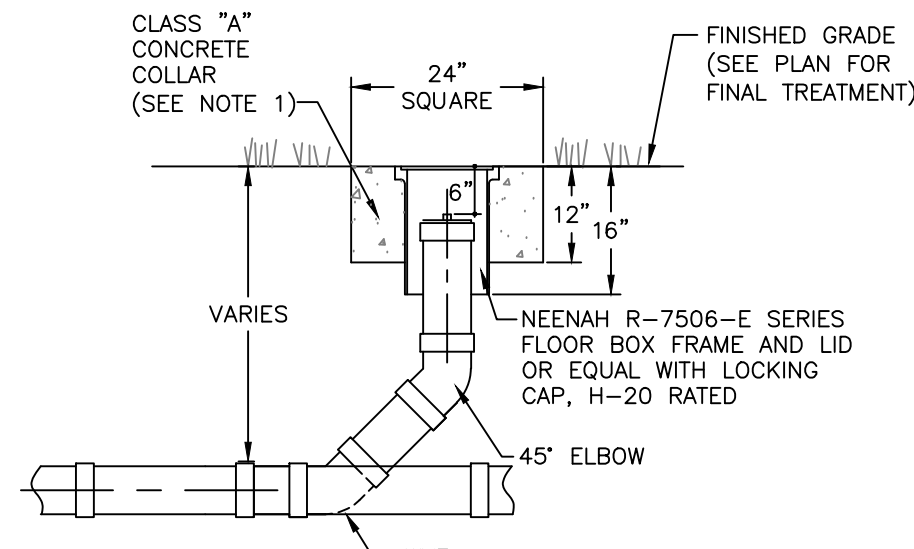
NOTES:
 1. PROVIDE AN INSPECTION PORT FOR THE INITIAL AND FINAL CHAMBER OF EACH ROW, AND FOR ROWS WITH MORE THAN 10 CHAMBERS, ONE IN AN INTERMEDIATE CHAMBER.

UNDERGROUND DETENTION SYSTEM INSPECTION PORT DETAIL
NOT TO SCALE



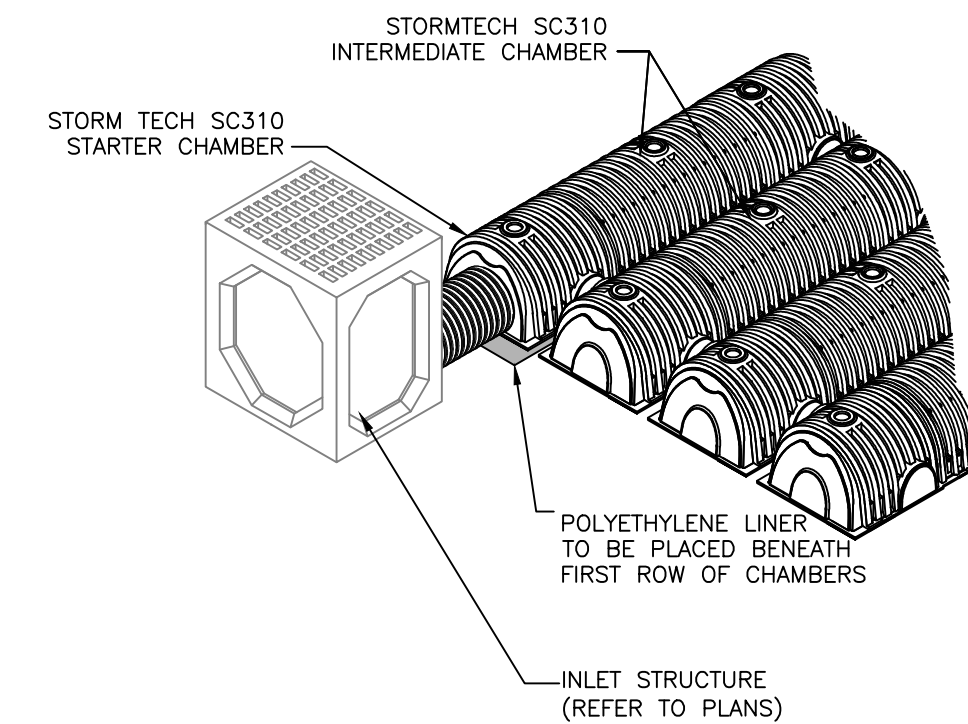
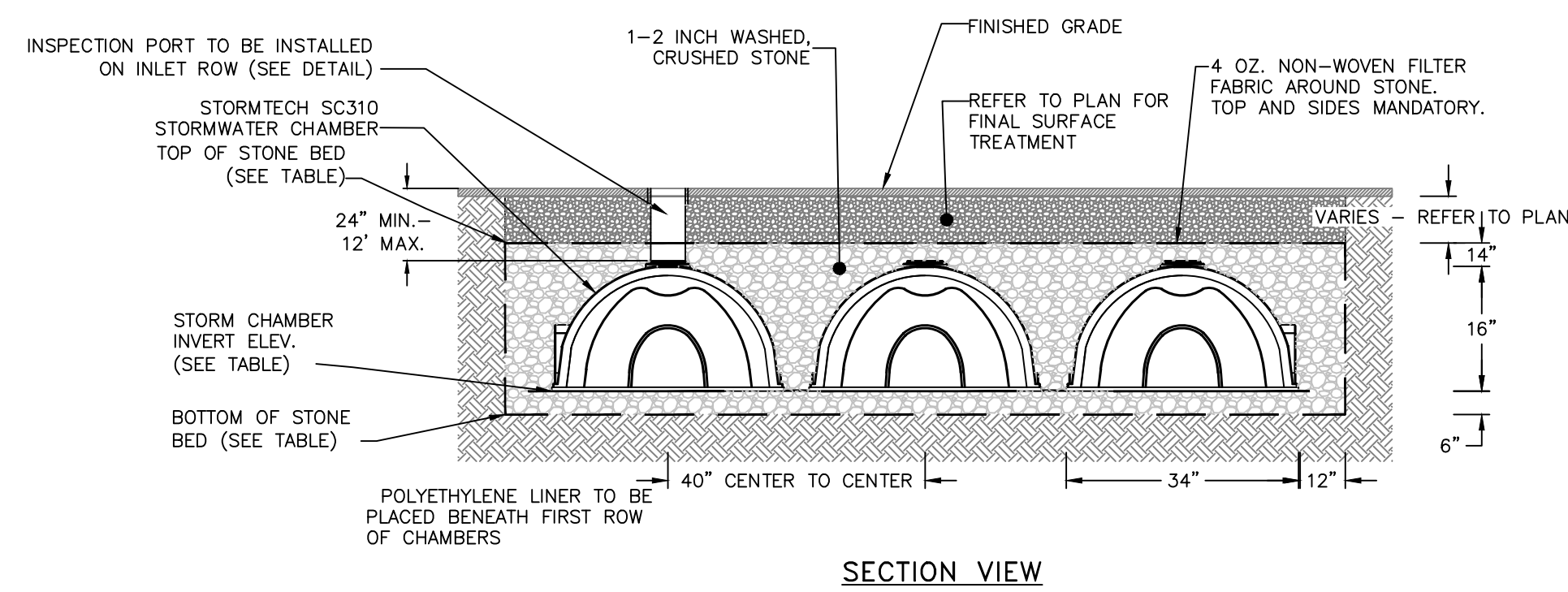
NOTES:
 1. EXCAVATION AND TRENCHING SHALL MEET ALL OSHA REQUIREMENTS.
 2. SUITABLE RUN OF TRENCH SHALL NOT INCLUDE FROZEN MATERIALS, DEBRIS, ORGANIC MATERIALS, LARGE STONES OR OTHER UNSUITABLE MATERIALS. IF THE RUN OF TRENCH MATERIAL IS FOUND TO BE UNSUITABLE, A SUITABLE BACKFILL MATERIAL SHALL BE IMPORTED AND USED.

SANITARY SEWER SERVICE LINE TRENCH DETAIL
NOT TO SCALE

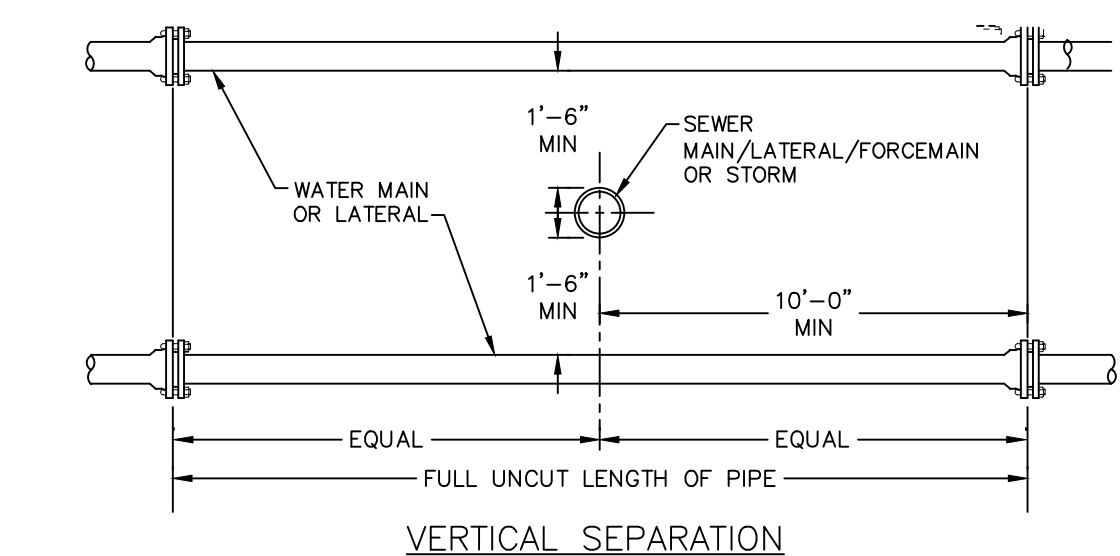
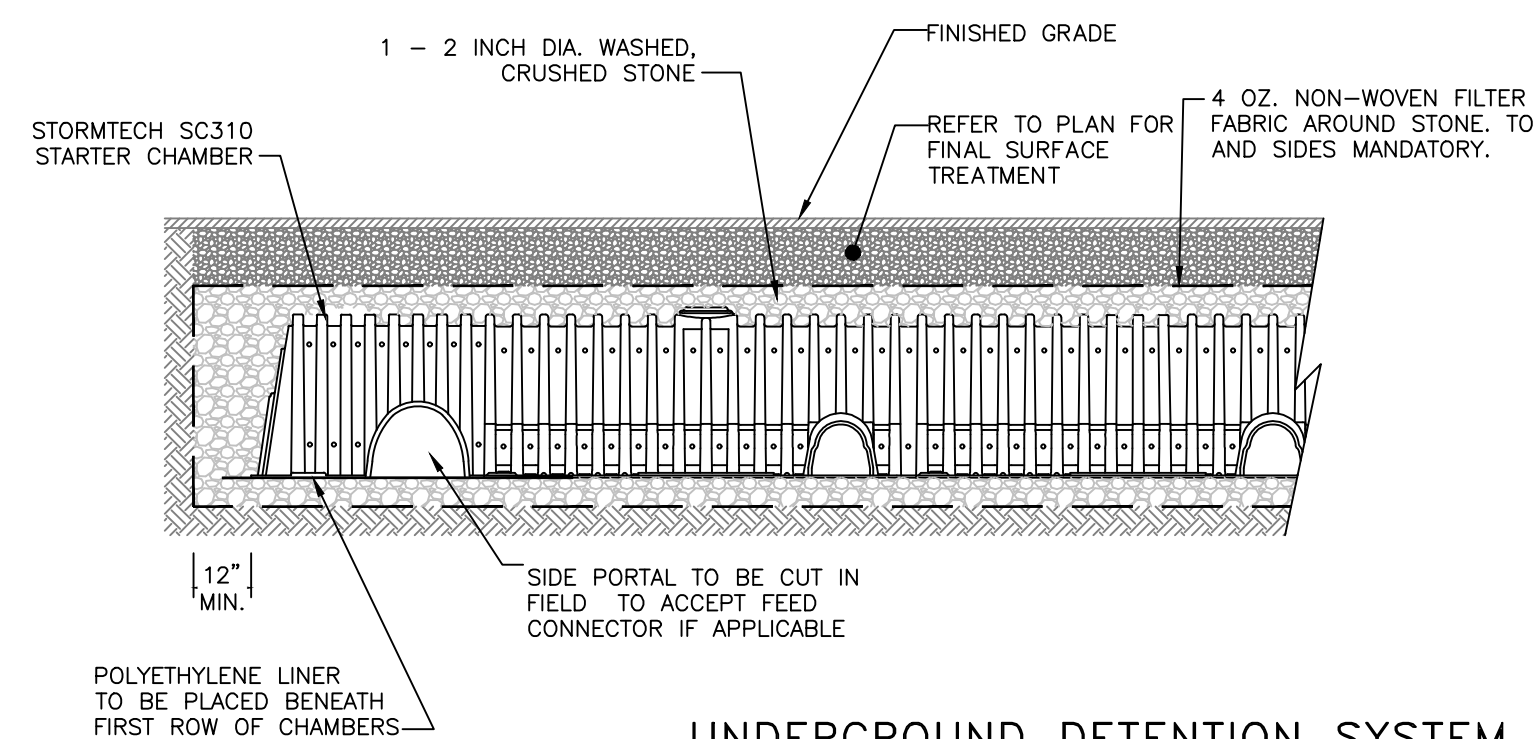


NOTES:
 1. CONCRETE COLLAR TO BE PROVIDED IN AREAS THAT ARE NOT PAVED. THE COLLAR SHALL BE 6" FROM THE COVER AND SHALL EXTEND 6" BELOW FINAL GRADE.

CLEANOUT DETAIL
NOT TO SCALE

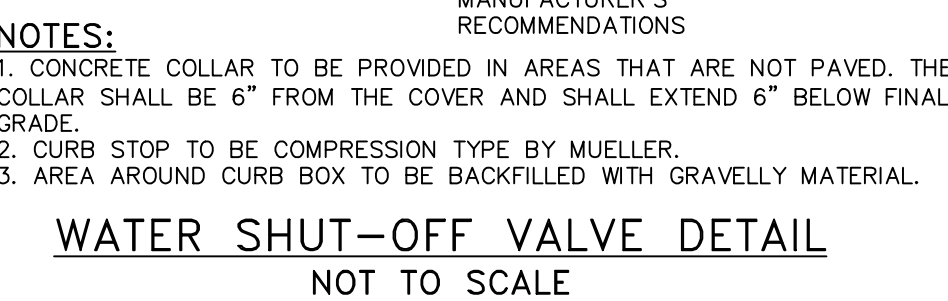


NOTES:
 1. STORMTECH SC310 CHAMBERS BY STORMTECH, INC. OF ROCKY HILL, CT. ALL CHAMBERS SHALL BE INSTALLED IN ACCORDANCE WITH STORMTECH INC.'S CURRENT RECOMMENDED INSTALLATION GUIDELINES.
 2. THE BED OF THE SYSTEM FOOTPRINT SHALL BE LAID NEARLY LEVEL.
 3. THE CONTRACTOR SHALL NOTIFY THE DESIGN ENGINEER IF SUBSURFACE CONDITIONS IN THE AREAS OF THE INFILTRATOR TRENCHES IS NOT CONSISTENT WITH THE TEST PIT OR PERCOLATION DATA (E.G. GROUNDWATER OR BEDROCK ENCOUNTERED, SOIL PROPERTIES ARE NOT CONSISTENT, ETC.).



NOTE:
 1. NO DEVIATION IN THE SEPARATION REQUIREMENTS WILL BE PERMITTED WITHOUT THE EXPRESS APPROVAL OF THE DUTCHESS COUNTY DEPARTMENT OF HEALTH AND THE CITY OF BEACON. CONCRETE ENCASUREMENT OF WATERLINE OR OFFSETTING OF WATERLINE SHALL BE REQUIRED WHERE SEPARATION DISTANCES CANNOT BE MAINTAINED.

WATER LINE SEPARATION DETAIL
NOT TO SCALE

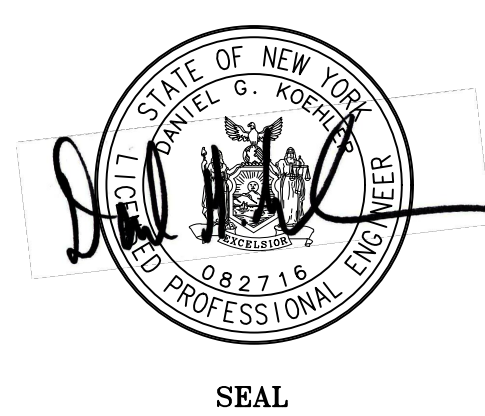


NOTES:
 1. CONCRETE COLLAR TO BE PROVIDED IN AREAS THAT ARE NOT PAVED. THE COLLAR SHALL BE 6" FROM THE COVER AND SHALL EXTEND 6" BELOW FINAL GRADE.
 2. CURB STOP TO BE COMPRESSION TYPE BY MUELLER.
 3. AREA AROUND CURB BOX TO BE BACKFILLED WITH GRAVELLY MATERIAL.

WATER SHUT-OFF VALVE DETAIL
NOT TO SCALE

DRAWN BY: CMB				CHECKED BY: DGK			
REVISIONS:				REVISIONS:			
NO.	DATE	DESCRIPTION	BY	NO.	DATE	DESCRIPTION	BY

BEFORE UNDERTAKING ANY DIGGING, DRILLING, BLASTING OR DISTURBANCE TO THE GROUND IN ANY WAY, FOR ANY REASON, ALL INDIVIDUALS MUST CONTACT
 DIG SAFELY NEW YORK
 AT
 811 OR WWW.CALL811.COM



HUDSON LAND DESIGN
 HUDSON LAND DESIGN
 PROFESSIONAL ENGINEERING P.C.
 174 MAIN ST., BEACON, NEW YORK 12508
 13 CHAMBERS ST., NEWBURGH, NEW YORK 12550
 PH: 845-440-6926
 F: 845-440-6637

160 ROMBOUT AVENUE SUBDIVISION
CONSTRUCTION DETAILS
 160 ROMBOUT AVENUE
 CITY OF BEACON
 DUTCHESS COUNTY, NEW YORK
 TAX ID: 5954-35-853796

JOB #: 2019-050
 DATE: 12/31/19
 SCALE: AS SHOWN
 TITLE: CD-1
 SHEET: 3 OF 4