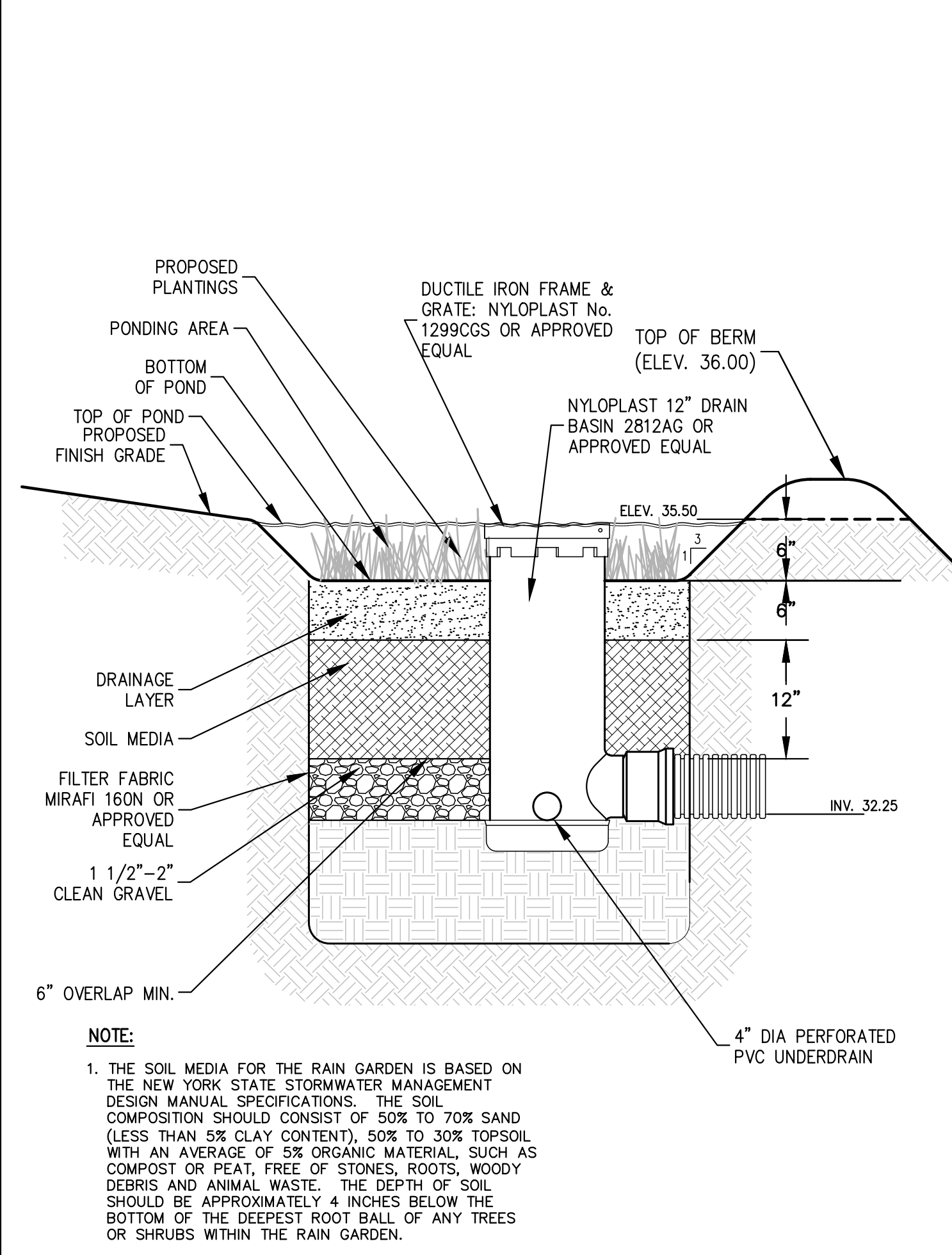
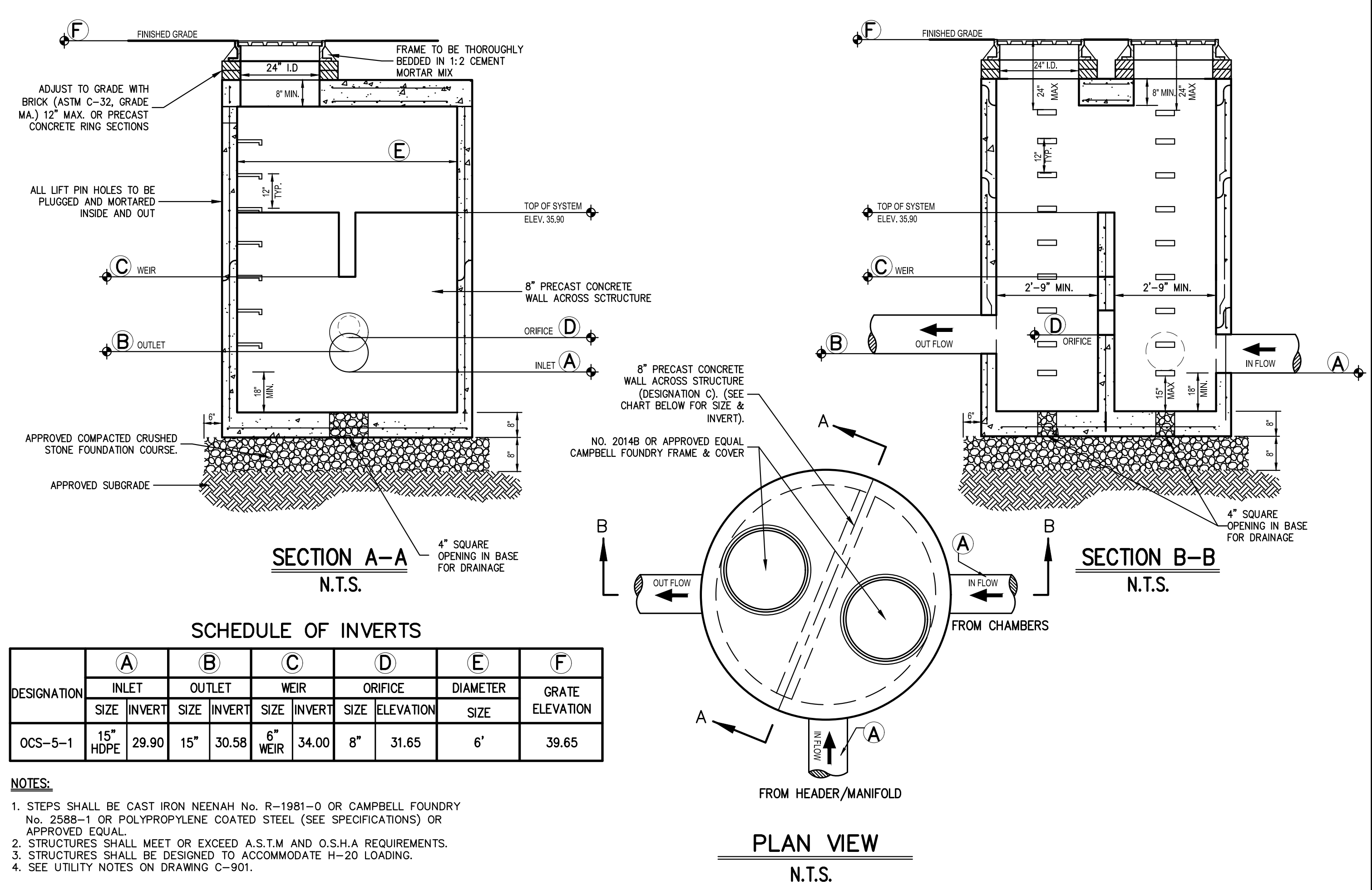


- NOTES:**
- SEE "UTILITY NOTES" ON THIS DRAWING WHICH SHALL APPLY TO THIS DETAIL.
 - IF EXISTING CASTING IS UNFIT FOR RESETTING IN THE NEW CONSTRUCTION, AS DETERMINED BY THE OWNER'S FIELD REPRESENTATIVE, CONTRACTOR SHALL FURNISH AND SET NEW CASTING.



- NOTE:**
- THE SOIL MEDIA FOR THE RAIN GARDEN IS BASED ON THE NEW YORK STATE STORMWATER MANAGEMENT DESIGN MANUAL SPECIFICATIONS. THE SOIL COMPOSITION SHOULD CONSIST OF 50% TO 70% SAND (LESS THAN 5% CLAY CONTENT), 50% TO 30% TOPSOIL WITH AN AVERAGE OF 5% ORGANIC MATERIAL, SUCH AS COMPOST OR PEAT, FREE OF STONES, ROOTS, WOODY DEBRIS AND ANIMAL WASTE. THE DEPTH OF SOIL SHOULD BE APPROXIMATELY 4 INCHES BELOW THE BOTTOM OF THE DEEPEST ROOT BALL OF ANY TREES OR SHRUBS WITHIN THE RAIN GARDEN.



- NOTES:**
- STEPS SHALL BE CAST IRON NEENAH No. R-1981-O OR CAMPBELL FOUNDRY No. 2588-1 OR POLYPROPYLENE COATED STEEL (SEE SPECIFICATIONS) OR APPROVED EQUAL.
 - STRUCTURES SHALL MEET OR EXCEED A.S.T.M AND O.S.H.A REQUIREMENTS.
 - STRUCTURES SHALL BE DESIGNED TO ACCOMMODATE H-20 LOADING.
 - SEE UTILITY NOTES ON DRAWING C-901.

SCHEDULE OF INVERTS

DESIGNATION	A		B		C		D		E		F	
	SIZE	INVERT	SIZE	INVERT	SIZE	INVERT	SIZE	INVERT	DIAMETER	ELEVATION	GRATE	ELEVATION
OCS-5-1	15\"/>											

EXISTING MANHOLE RECONSTRUCTED AND RAISED

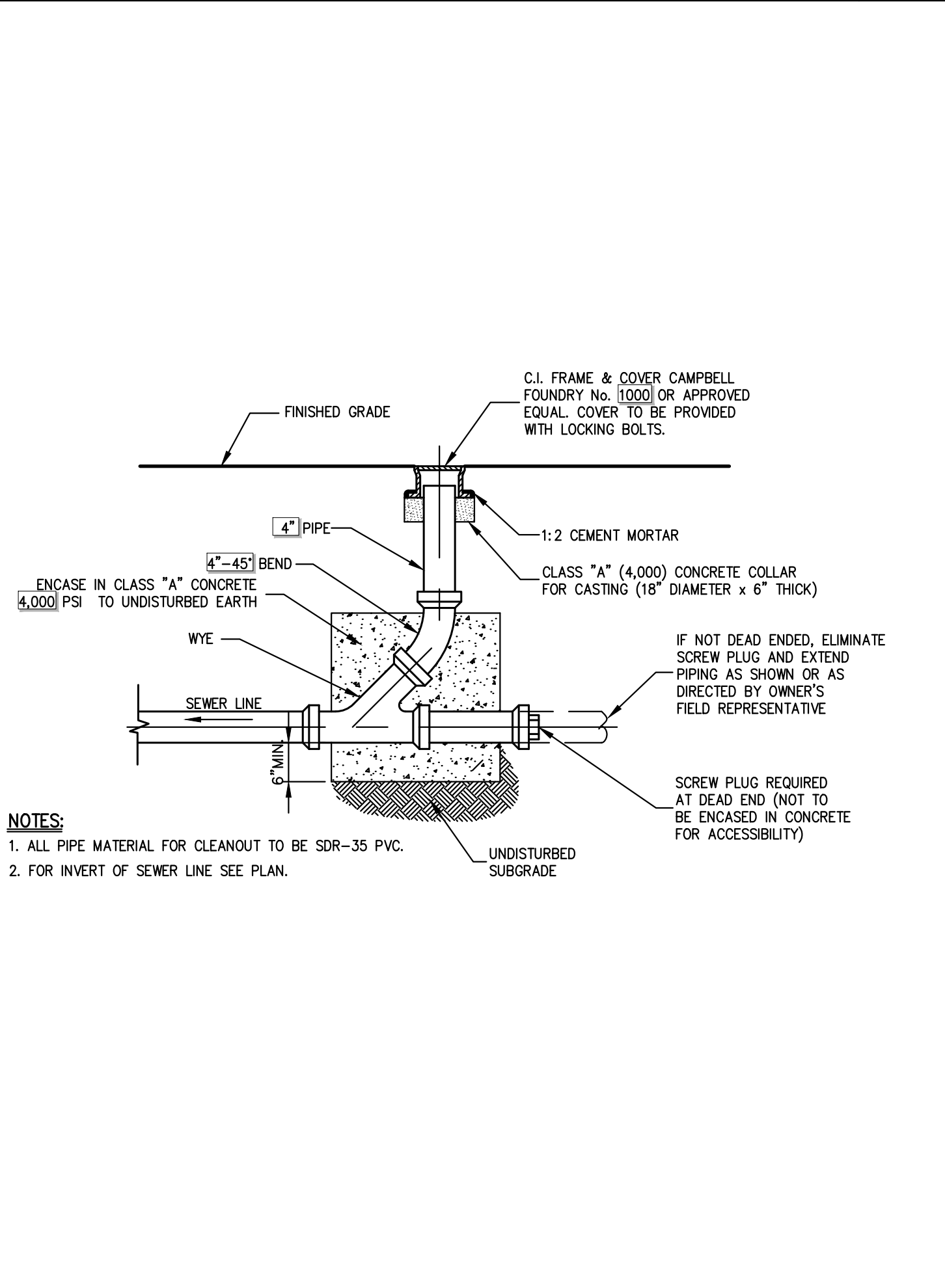
19

RAIN GARDEN CROSS SECTION
(NYS STORMWATER MANAGEMENT DESIGN MANUAL)

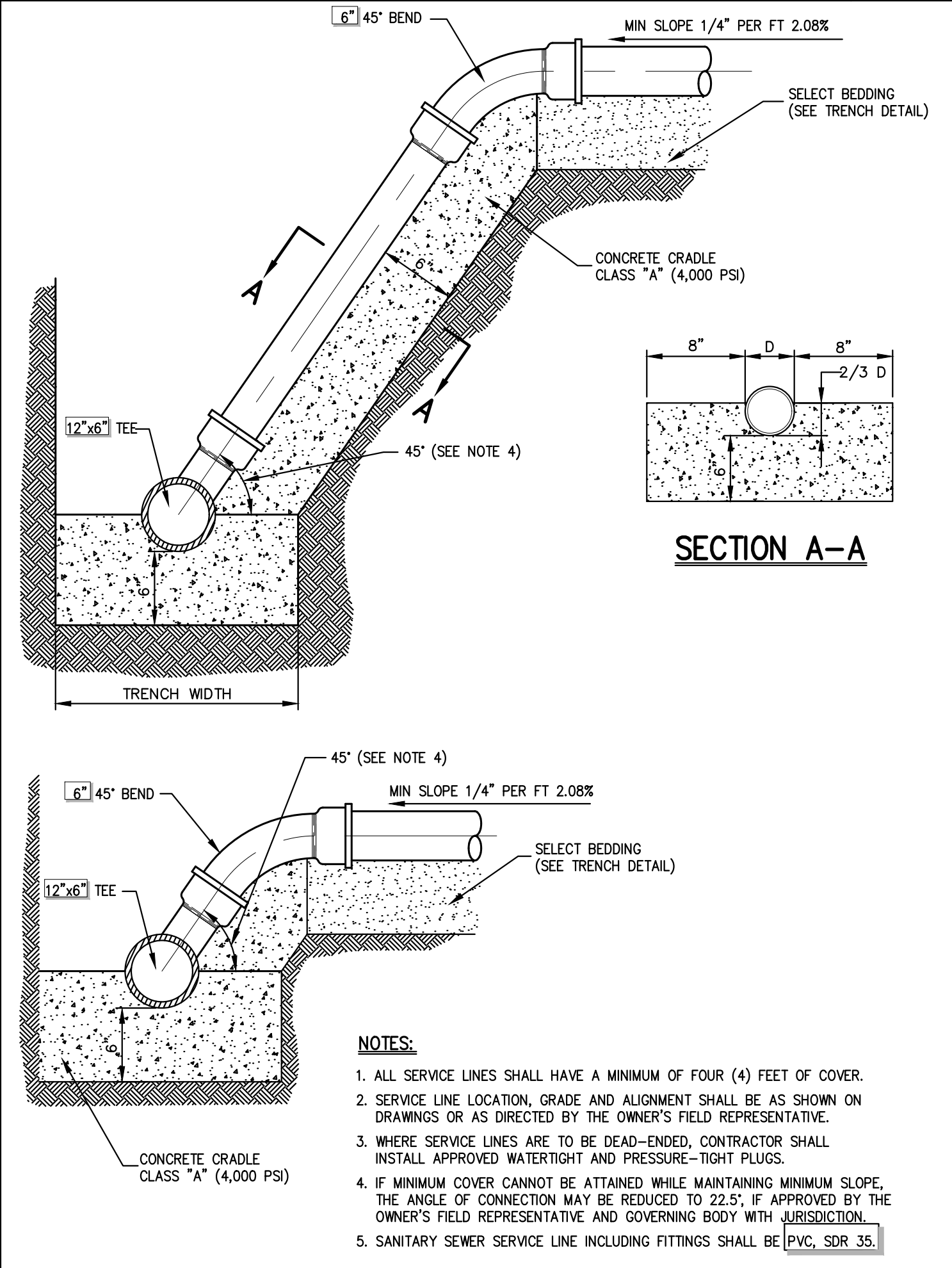
20

OUTLET CONTROL STRUCTURE

21



- NOTES:**
- ALL PIPE MATERIAL FOR CLEANOUT TO BE SDR-35 PVC.
 - FOR INVERT OF SEWER LINE SEE PLAN.



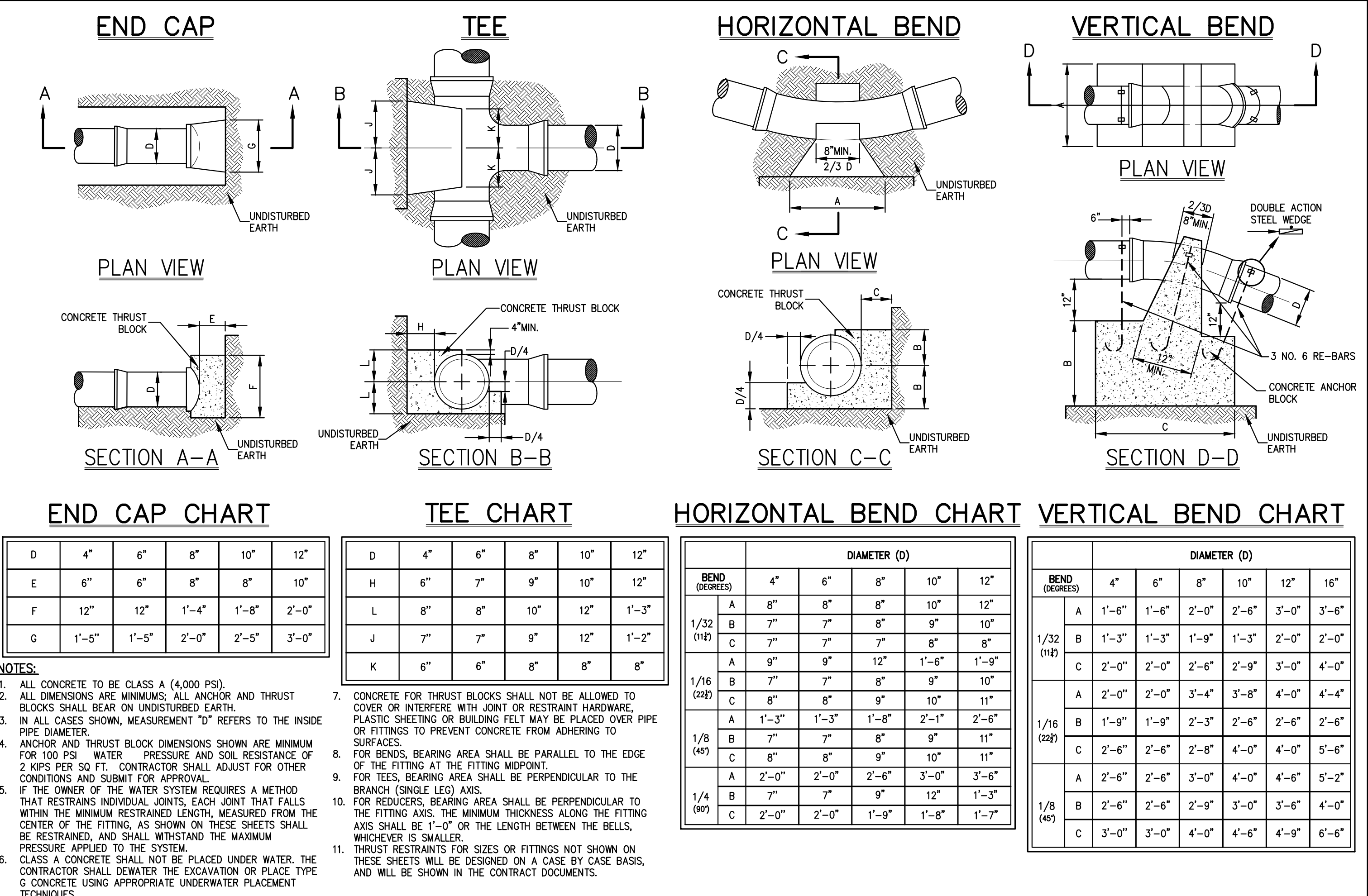
- NOTES:**
- ALL SERVICE LINES SHALL HAVE A MINIMUM OF FOUR (4) FEET OF COVER.
 - SERVICE LINE LOCATION, GRADE AND ALIGNMENT SHALL BE AS SHOWN ON DRAWINGS OR AS DIRECTED BY THE OWNER'S FIELD REPRESENTATIVE.
 - WHERE SERVICE LINES ARE TO BE DEAD-ENDED, CONTRACTOR SHALL INSTALL APPROVED WATERTIGHT AND PRESSURE-TIGHT PLUGS.
 - IF MINIMUM COVER CANNOT BE ATTAINED WHILE MAINTAINING MINIMUM SLOPE, THE ANGLE OF CONNECTION MAY BE REDUCED TO 22.5° IF APPROVED BY THE OWNER'S FIELD REPRESENTATIVE AND GOVERNING BODY WITH JURISDICTION.
 - SANITARY SEWER SERVICE LINE INCLUDING FITTINGS SHALL BE PVC, SDR 35.

CLEANOUT W/O MANHOLE

22

SANITARY SEWER SERVICE CONNECTION

23



END CAP CHART

D	4"	6"	8"	10"	12"
E	6"	6"	8"	8"	10"
F	12"	12"	1'-4"	1'-8"	2'-0"
G	1'-5"	1'-5"	2'-0"	2'-5"	3'-0"

TEE CHART

D	4"	6"	8"	10"	12"
H	6"	7"	9"	10"	12"
L	8"	8"	10"	12"	1'-3"
J	7"	7"	9"	12"	1'-2"
K	6"	6"	8"	8"	8"

HORIZONTAL BEND CHART

BEND (DEGREES)	DIAMETER (D)				
	4"	6"	8"	10"	12"
1/32 (114)	A 8"	8"	8"	10"	12"
	B 7"	7"	8"	9"	10"
	C 7"	7"	7"	8"	8"
	A 9"	9"	12"	1'-6"	1'-9"
1/16 (228)	B 7"	7"	7"	8"	10"
	C 8"	8"	9"	10"	11"
	A 1'-3"	1'-3"	1'-8"	2'-1"	2'-6"
1/8 (45)	B 7"	7"	8"	9"	11"
	C 8"	8"	9"	10"	11"
	A 2'-0"	2'-0"	2'-6"	3'-0"	3'-6"
1/4 (90)	B 7"	7"	9"	12"	1'-3"
	C 2'-0"	2'-0"	1'-9"	1'-8"	1'-7"

VERTICAL BEND CHART

BEND (DEGREES)	DIAMETER (D)				
	4"	6"	8"	10"	16"
1/32 (114)	A 1'-6"	1'-6"	2'-0"	2'-6"	3'-0"
	B 1'-3"	1'-3"	1'-9"	1'-3"	2'-0"
	C 2'-0"	2'-0"	2'-6"	2'-9"	4'-0"
	A 2'-0"	2'-0"	3'-4"	3'-8"	4'-0"
1/16 (228)	B 1'-9"	1'-9"	2'-3"	2'-6"	2'-6"
	C 2'-6"	2'-6"	2'-8"	4'-0"	4'-0"
	A 2'-6"	2'-6"	3'-0"	4'-0"	5'-2"
1/8 (45)	B 2'-6"	2'-6"	2'-9"	3'-0"	4'-0"
	C 3'-0"	3'-0"	4'-0"	4'-6"	6'-6"

- NOTES:**
- ALL CONCRETE TO BE CLASS A (4,000 PSI).
 - ALL DIMENSIONS ARE MINIMUMS; ALL ANCHOR AND THRUST BLOCKS SHALL BEAR ON UNDISTURBED EARTH.
 - IN ALL CASES SHOWN, MEASUREMENT "D" REFERS TO THE INSIDE PIPE DIAMETER.
 - ANCHOR AND THRUST BLOCK DIMENSIONS SHOWN ARE MINIMUM FOR 100 PSI WATER PRESSURE AND SOIL RESISTANCE OF 2 KIPS PER SQ. FT. CONTRACTOR SHALL ADJUST FOR OTHER CONDITIONS AND SUBMIT FOR APPROVAL.
 - IF THE OWNER OF THE WATER SYSTEM REQUIRES A METHOD THAT RESTRAINS INDIVIDUAL JOINTS, EACH JOINT THAT FALLS WITHIN THE MINIMUM RESTRAINED LENGTH, MEASURED FROM THE CENTER OF THE FITTING, AS SHOWN ON THESE SHEETS SHALL BE RESTRAINED, AND SHALL WITHSTAND THE MAXIMUM PRESSURE APPLIED TO THE SYSTEM.
 - CLASS A CONCRETE SHALL NOT BE PLACED UNDER WATER. THE CONTRACTOR SHALL DEWATER THE EXCAVATION OR PLACE TYPE G CONCRETE USING APPROPRIATE UNDERWATER PLACEMENT TECHNIQUES.
 - CONCRETE FOR THRUST BLOCKS SHALL NOT BE ALLOWED TO COVER OR INTERFERE WITH JOINT OR RESTRAINT HARDWARE, PLASTIC SHEETING OR BUILDING FELT MAY BE PLACED OVER PIPE OR FITTINGS TO PREVENT CONCRETE FROM ADHERING TO SURFACES.
 - FOR BENDS, BEARING AREA SHALL BE PARALLEL TO THE EDGE OF THE FITTING AT THE FITTING MIDPOINT.
 - FOR TEES, BEARING AREA SHALL BE PERPENDICULAR TO THE BRANCH (SINGLE LEG) AXIS.
 - FOR REDUCERS, BEARING AREA SHALL BE PERPENDICULAR TO THE FITTING AXIS. THE MINIMUM THICKNESS ALONG THE FITTING AXIS SHALL BE 1'-0" OR THE LENGTH BETWEEN THE BELLS, WHICHEVER IS SMALLER.
 - THRUST RESTRAINTS FOR SIZES OR FITTINGS NOT SHOWN ON THESE SHEETS WILL BE DESIGNED ON A CASE BY CASE BASIS, AND WILL BE SHOWN IN THE CONTRACT DOCUMENTS.

CLEANOUT W/O MANHOLE

22

SANITARY SEWER SERVICE CONNECTION

23

ANCHOR AND THRUST BLOCKS

24

NOT FOR CONSTRUCTION

Date: 12/30/19

Revision: 1. REVISED PER CITY COMMENTS

No. 1.

JMC Planning, Engineering, Landscape Architecture & Land Surveying, PLLC
JMC Site Development Consultants, LLC
John Meyer Consulting, Inc.
120 BEDFORD ROAD - ARMONK, NY 10504
voice 914.273.5225 • fax 914.273.2102
www.jmcplic.com

JMC

CONSTRUCTION DETAILS

BEACON COMMONS
16 WEST MAIN STREET
BEACON, NY 12508

ANY ALTERATION OF PLANS, SPECIFICATIONS, PLATS AND REPORTS BEARING THE SEAL OF A LICENSED PROFESSIONAL ENGINEER OR LICENSED LAND SURVEYOR IS A VIOLATION OF SECTION 7209 OF THE NEW YORK STATE EDUCATION LAW, EXCEPT AS PROVIDED FOR BY SECTION 7209.9 SUBSECTION 2.

Drawn: AH Approved: SS

Scale: NOT TO SCALE

Date: 10/29/2019

Project No: 18119

1819-ITEMS C-903

Drawing No: C-903

(Sheet 17 of 24)