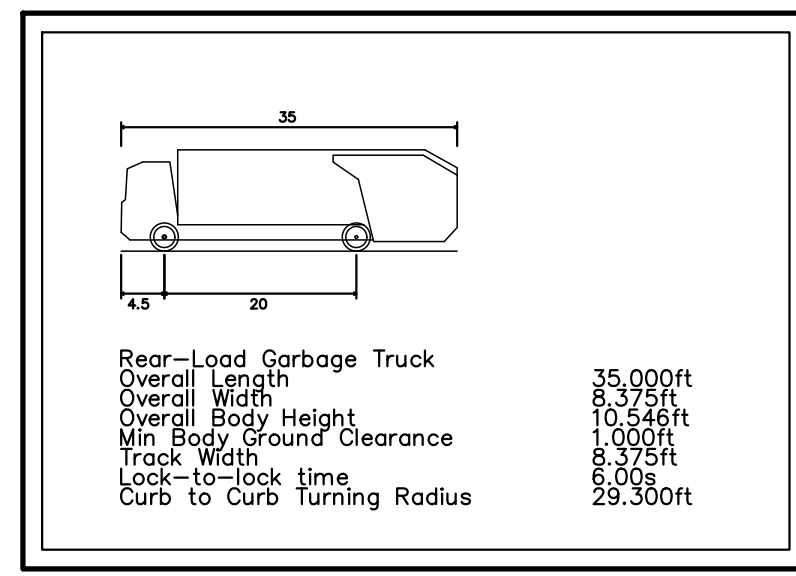
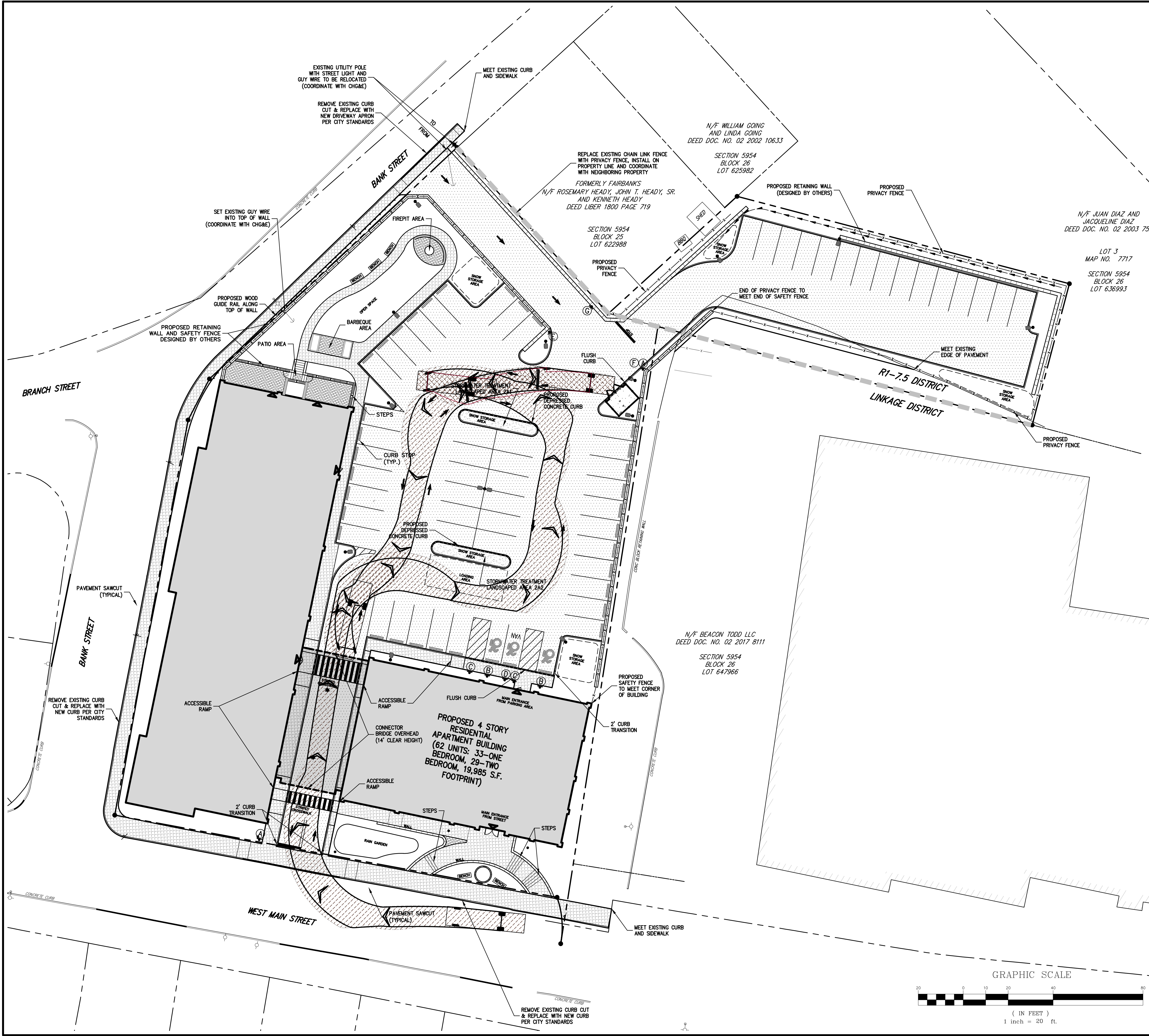


NOT FOR CONSTRUCTION

COPYRIGHT © 2019 BY JMC. All rights reserved. No part of this document may be reproduced, stored in a retrieval system, or transmitted in any form or by any means, electronic, mechanical, photocopying, recording, or otherwise, without the prior written permission of JMC PLANNING, ENGINEERING, LANDSCAPE ARCHITECTURE & LAND SURVEYING, PLLC. ANY SITE DEVELOPMENT PROJECT MUST BE APPROVED BY THE CITY OF BEACON. ANY MODIFICATION OR ALTERATION TO THIS DOCUMENT WITHOUT THE WRITTEN PERMISSION OF JMC PLANNING, ENGINEERING, LANDSCAPE ARCHITECTURE & LAND SURVEYING, PLLC IS PROHIBITED.

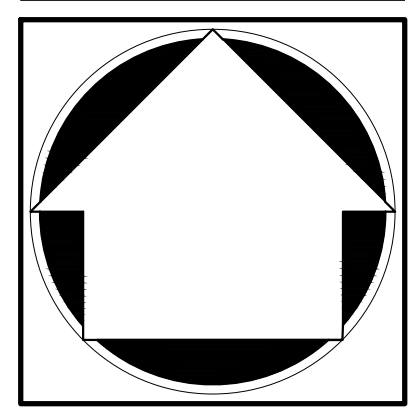
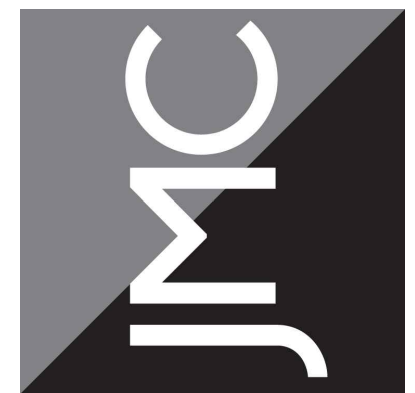


APPLICANT/OWNER:
FARRELL BUILDING COMPANY
2317 MONTAUK HIGHWAY
BRIDGEHAMPTON, NY 11932

ARCHITECT:
ARYEH SIEGEL ARCHITECT
84 MASON CIRCLE
BEACON, NY 12508

JMC Planning, Engineering, Landscape Architecture & Land Surveying, PLLC
JMC Site Development Consultants, LLC
Join Meyer Consulting, Inc.

120 BEDFORD ROAD - ARMONK, NY 10504
voice 914.273.5225 • fax 914.273.2102
www.jmcplic.com



GARBAGE TRUCK TURNING PLAN (REAR LOADING)

BEACON COMMONS
16 WEST MAIN STREET
BEACON, NY 12508

ANY ALTERATION OF PLANS, SPECIFICATIONS, PLATS AND REPORTS BEARING THE SEAL OF A LICENSED PROFESSIONAL ENGINEER OR LICENSED LAND SURVEYOR IS A VIOLATION OF SECTION 7209 OF THE NEW YORK STATE EDUCATION LAW, EXCEPT AS PROVIDED FOR BY SECTION 7209, SUBSECTION 2.

No.	Revision	Date	By
1.	REVISED PER CITY COMMENTS	12/30/19	AH

Drawn: AH Approved: SS
Scale: 1" = 20'
Date: 10/29/2019
Project No: 18119
Drawing No: TRUCK-2 TRUCK.scr
C-701
(Sheet 10 of 24)

Previous Editions Obsolete