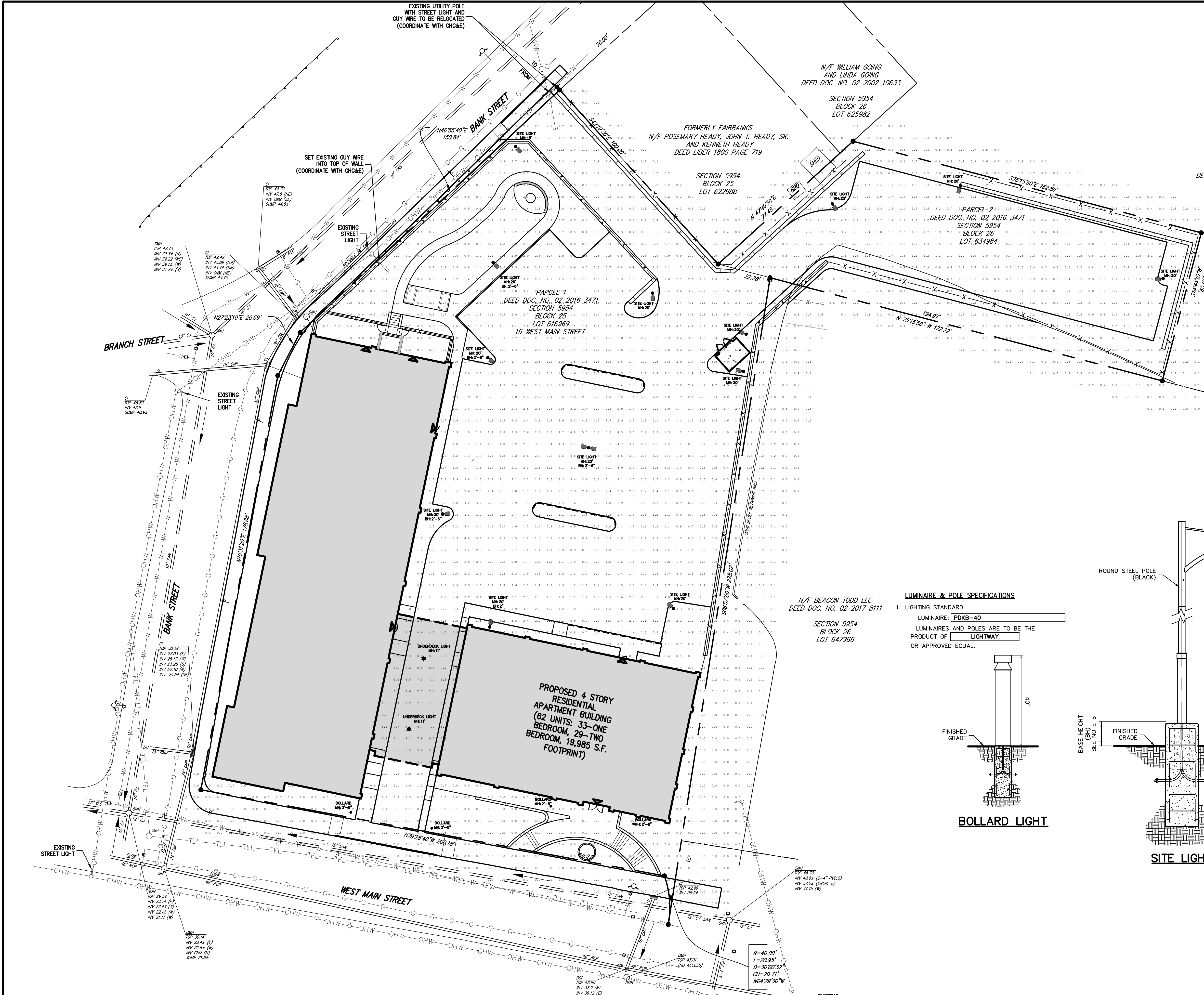


NOT FOR CONSTRUCTION

COPYRIGHT © 2019 BY JMC. All rights reserved. No part of this document may be reproduced, stored in a retrieval system, or transmitted in any form or by any means, electronic, mechanical, photocopying, recording, or by any information storage and retrieval system, without the prior written permission of JMC. JMC PLANNING, ENGINEERING, LANDSCAPE ARCHITECTURE & LAND SURVEYING, PLLC, ARCHITECTURE & LAND SURVEYING, PLLC, JMC SITE DEVELOPMENT CONSULTANTS, LLC, JMC DEVELOPMENT CONSULTANTS, LLC. Any modification or alteration to this document without the written permission of JMC is an unapproved and illegal act.



LEGEND

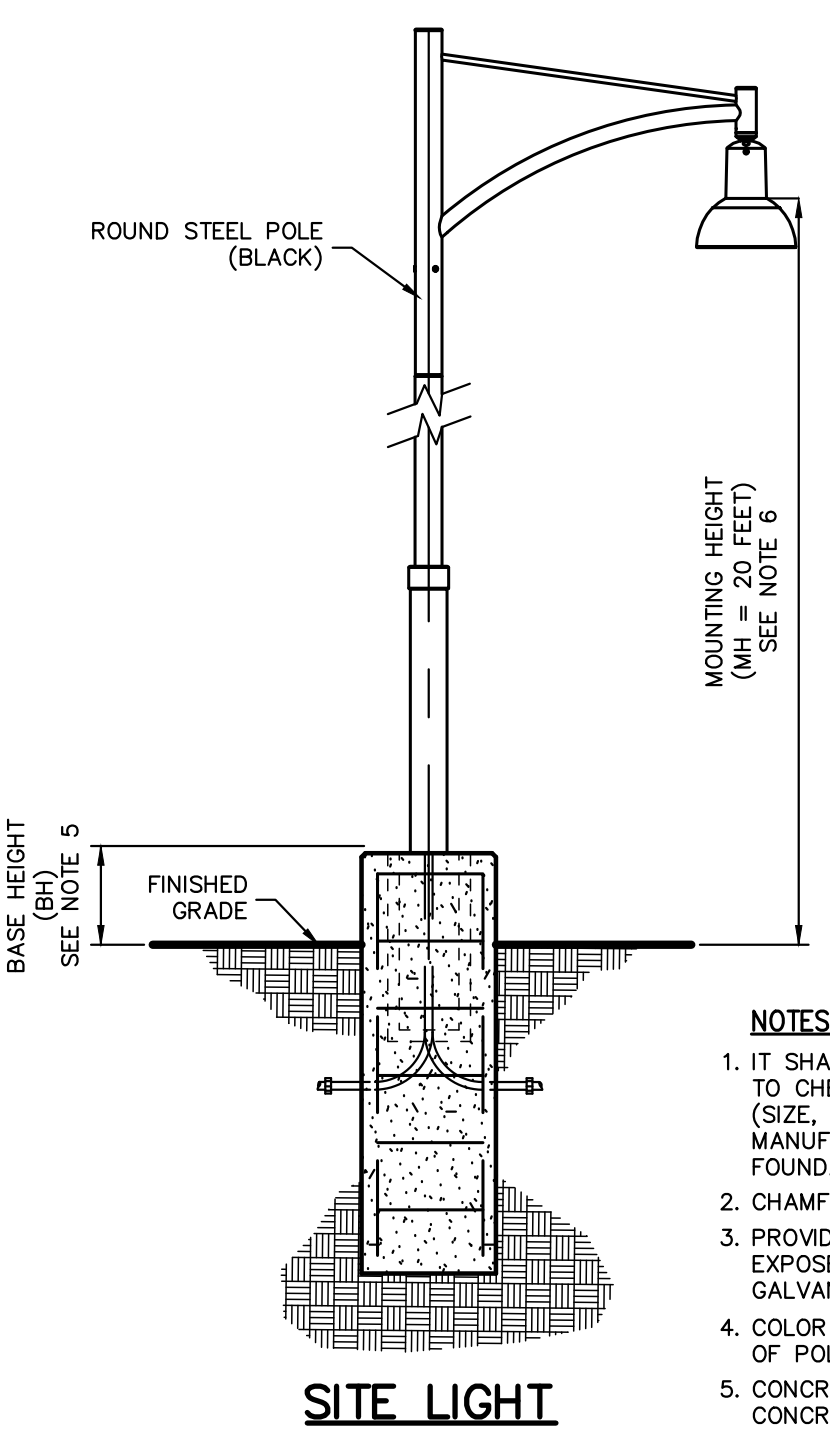
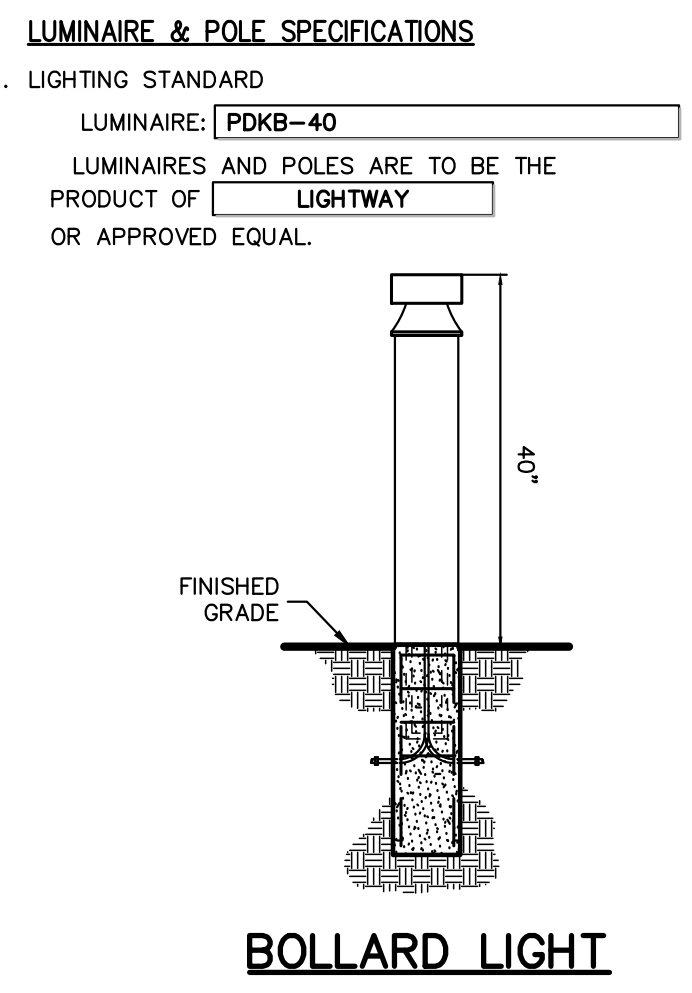
	EXISTING PROPERTY LINE
	ADJACENT PROPERTY LINE
	EXISTING BUILDING LINE
	EXISTING CURB LINE
	EXISTING STONE WALL
	EXISTING RETAINING WALL
	EXISTING FENCE
	EXISTING UTILITY POLE
	EXISTING LIGHT POLE
	PROPOSED BUILDING LINE
	PROPOSED CONCRETE CURB
	PROPOSED CONCRETE FLUSH CURB
	PROPOSED CONCRETE SIDEWALK
	PROPOSED WOOD GUIDE RAIL
	PROPOSED RETAINING WALL AND SAFETY FENCE (DESIGN BY OTHERS)
	PROPOSED DOUBLE ARM LIGHTING STANDARD
	PROPOSED SINGLE ARM LIGHTING STANDARD
	PROPOSED BOLLARD LIGHTING STANDARD
	PROPOSED ILLUMINANCE IN FOOT-CANDLES

- ### NOTES:
- ALL CABLES AND WIRING SHALL BE INSTALLED UNDERGROUND IN CONDUIT. CONDUIT SHALL BE SCHEDULE 40 PVC CONDUIT INSTALLED WITH TWO (2) FEET OF COVER. MINIMUM SIZE OF CONDUIT SHALL BE TWO (2) INCH DIAMETER.
 - CIRCUIT WIRING SHALL BE DESIGNED BY THE PROJECT ELECTRICAL ENGINEER.
 - LIGHTING LEVELS ARE MEASURED AT GROUND SURFACE ELEVATION.
 - THIS PLAN DOES NOT SHOW ANY PROPOSED BUILDING MOUNTED LIGHTING, OTHER THAN BELOW OVERPASS BETWEEN BUILDINGS.

LUMINAIRE & POLE SPECIFICATIONS

- LIGHTING STANDARD (DOUBLE ARM-MOUNTED)
 - POST: 1113.501
 - TOP: 4105.190.500
 - LANTERN: SN03
- LIGHTING STANDARD (SINGLE ARM-MOUNTED)
 - POST: 1113.501
 - TOP: 4105.190.500
 - LANTERN: SN03

LUMINAIRE AND POLES ARE TO BE THE PRODUCT OF NERI OR APPROVED EQUAL.



- ### NOTES
- IT SHALL BE THE CONTRACTOR'S RESPONSIBILITY TO CHECK AND VERIFY ALL ANCHOR BOLT DIMENSIONS (SIZE, BOLT CIRCLE, ETC.) WITH THE POLE MANUFACTURER PRIOR TO INSTALLATION OF THE FOUNDATIONS.
 - CHAMFER EXPOSED EDGES OF ALL FOUNDATIONS.
 - PROVIDE INSULATED GROUNDING BUSHING ON EXPOSED ENDS (IN BASE OF POLE) OF ALL GALVANIZED STEEL BENDS.
 - COLOR OF LUMINAIRE SHALL MATCH COLOR OF POLE.
 - CONCRETE BASE IN PARKING AREAS: 2'-6" CONCRETE BASE IN LANDSCAPED AREAS: 2'
 - LIGHT POLE LENGTHS SHALL BE ADJUSTED DEPENDING ON MOUNTING APPLICATION SUCH AS LAWN AREAS, IN PARKING AREAS, AND MH: MOUNTING HEIGHT IS THE DISTANCE FROM THE GROUND BELOW THE LIGHT TO THE TOP OF THE LIGHT FIXTURE.
 - LIGHT FIXTURES ARE DARK SKY COMPLIANT WITH FULL CUT-OFF SHIELDS.
- ANY ALTERATION OF PLANS, SPECIFICATIONS, PLATS AND REPORTS BEARING THE SEAL OF A LICENSED PROFESSIONAL ENGINEER OR LICENSED LAND SURVEYOR IS A VIOLATION OF SECTION 7209 OF THE NEW YORK STATE EDUCATION LAW, EXCEPT AS PROVIDED FOR BY SECTION 7209, SUBSECTION 2.

Luminaire Schedule	Label	Qty	PKB-34	Arrangement	Total Lamp Lumens	LLF	Description	Color Temperature
•	4	PKB-34	SINGLE	N.A.	0.900	PKB-34	4000K	
★	2	CPG-LED-7L-CA-W-40	SINGLE	N.A.	0.900	CPG-LED-7L-CA-W-40	4000K	
●	14	1113.501-4105.190.500-SN03	SINGLE	N.A.	0.900	1113.501-4105.190.500-SN03	4000K	

Calculation Summary	CalcType	Units	Avg	Max	Min	Avg/Min	Max/Min
Entire Site	Illuminance	Fc	1.34	15.8	0.0	N.A.	N.A.

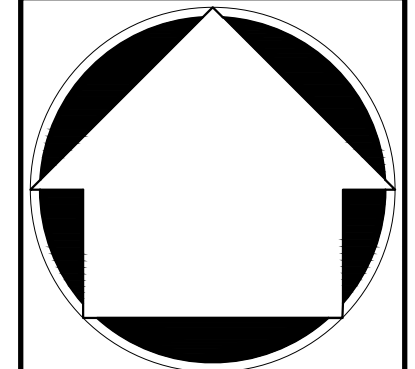
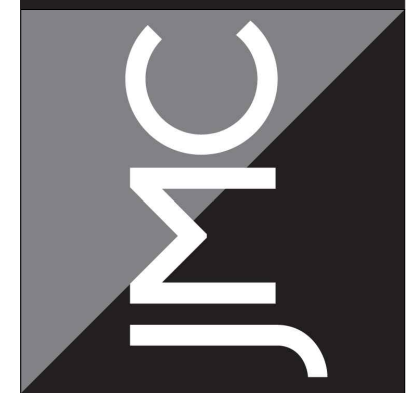
No.	Revision	Date	By
1.	REVISED PER CITY COMMENTS	12/30/19	AH

Drawn: AH Approved: SS
 Scale: 1" = 20'
 Date: 10/29/2019
 Project No: 18119
 1819-LIGHTING LIGHTING LIGHT.scr
 Drawing No: C-600 (Sheet 8 of 24)
 Previous Editions Obsolete

APPLICANT/OWNER:
FARRELL BUILDING COMPANY
 2317 MONTAUK HIGHWAY
 BRIDGEHAMPTON, NY 11932

ARCHITECT:
ARYEH SIEGEL ARCHITECT
 84 MASON CIRCLE
 BEACON, NY 12508

JMC Planning, Engineering, Landscape Architecture & Land Surveying, PLLC
 JMC Site Development Consultants, LLC
 John Meyer Consulting, Inc.
 120 BEDFORD ROAD - ARMONK, NY 10504
 voice 914.273.5225 - fax 914.273.2102
 www.jmcplc.com



LIGHTING PLAN
 BEACON COMMONS
 16 WEST MAIN STREET
 BEACON, NY 12508

Drawn: AH Approved: SS
 Scale: 1" = 20'
 Date: 10/29/2019
 Project No: 18119
 1819-LIGHTING LIGHTING LIGHT.scr
 Drawing No: C-600 (Sheet 8 of 24)
 Previous Editions Obsolete