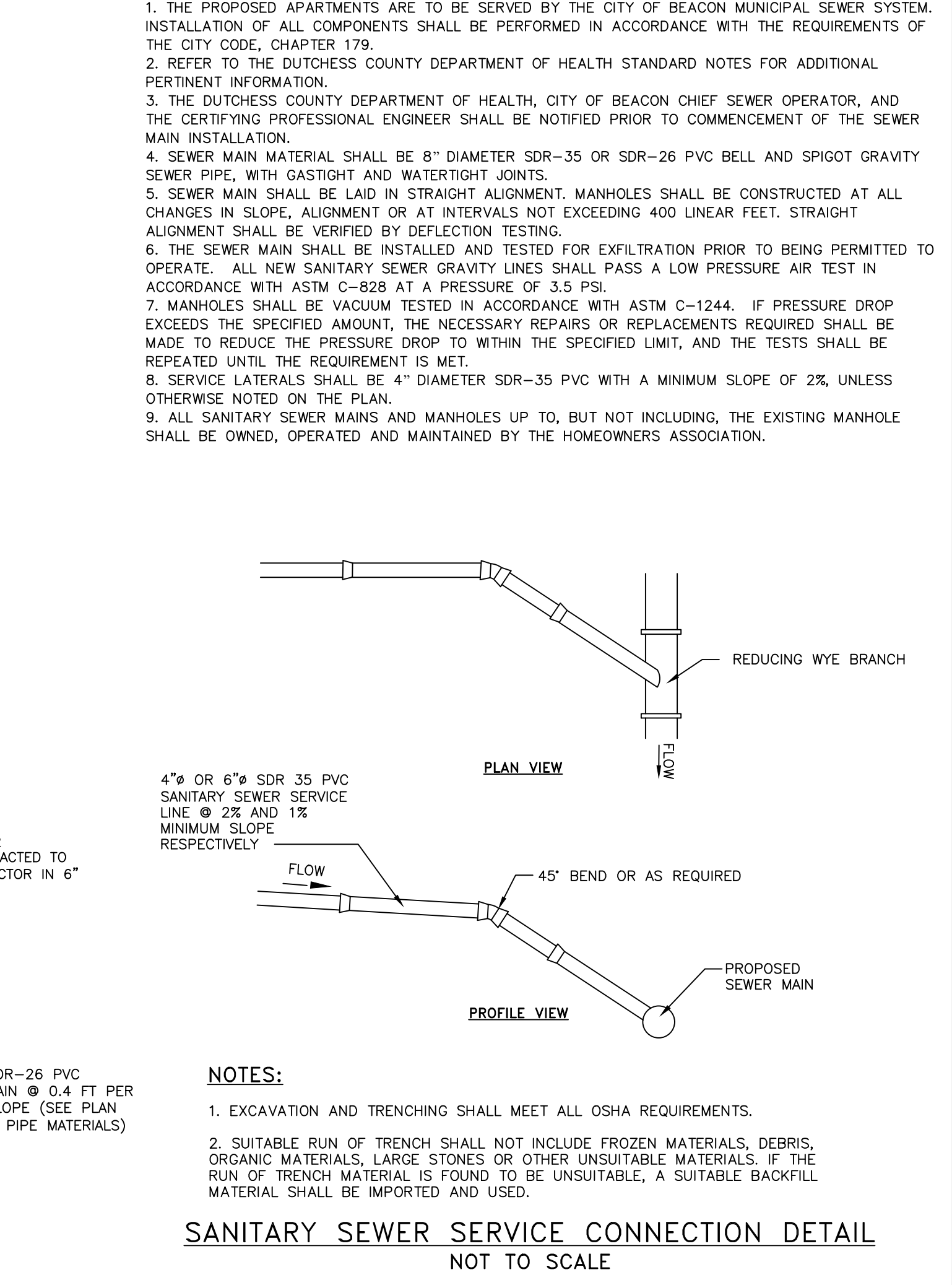
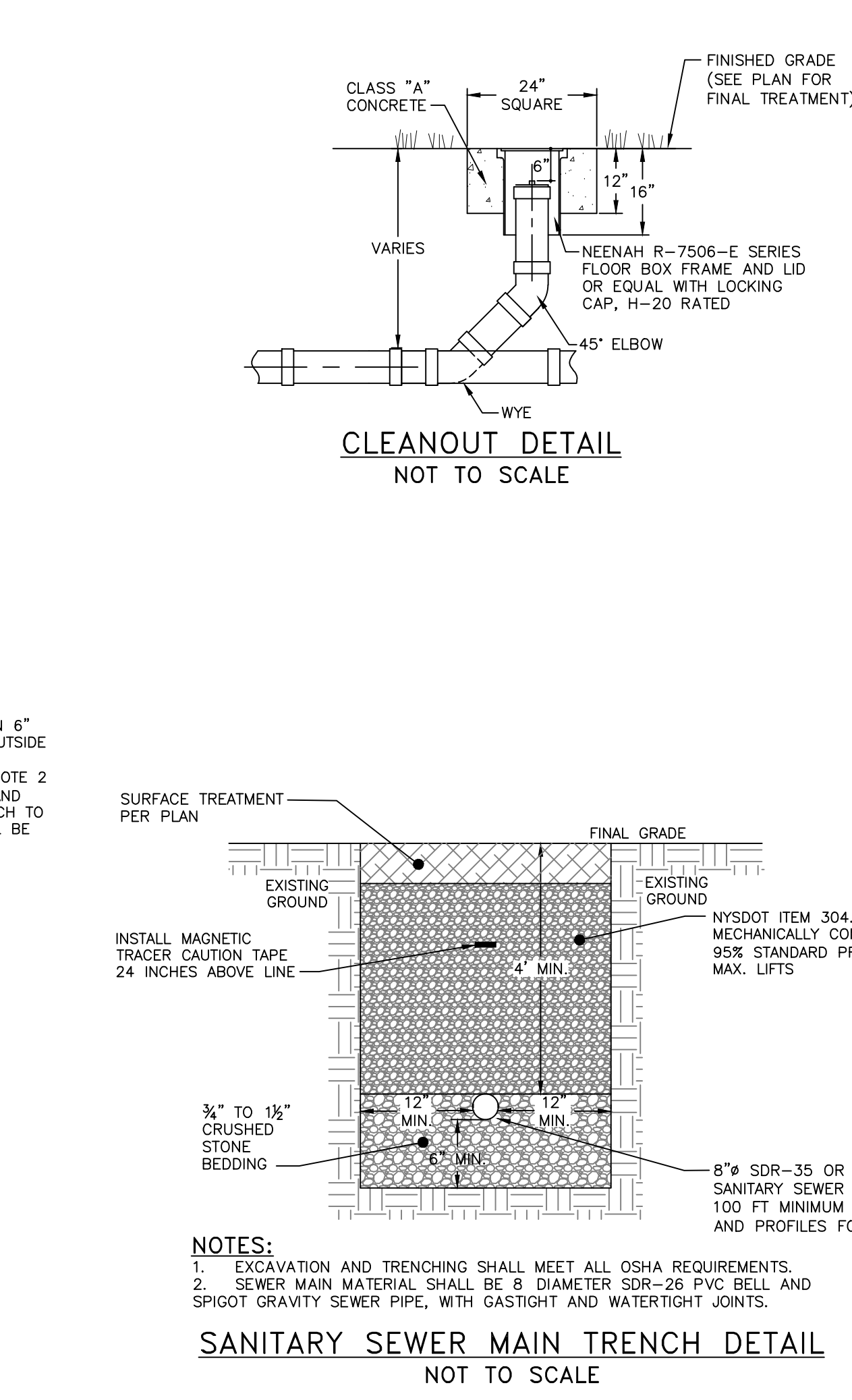
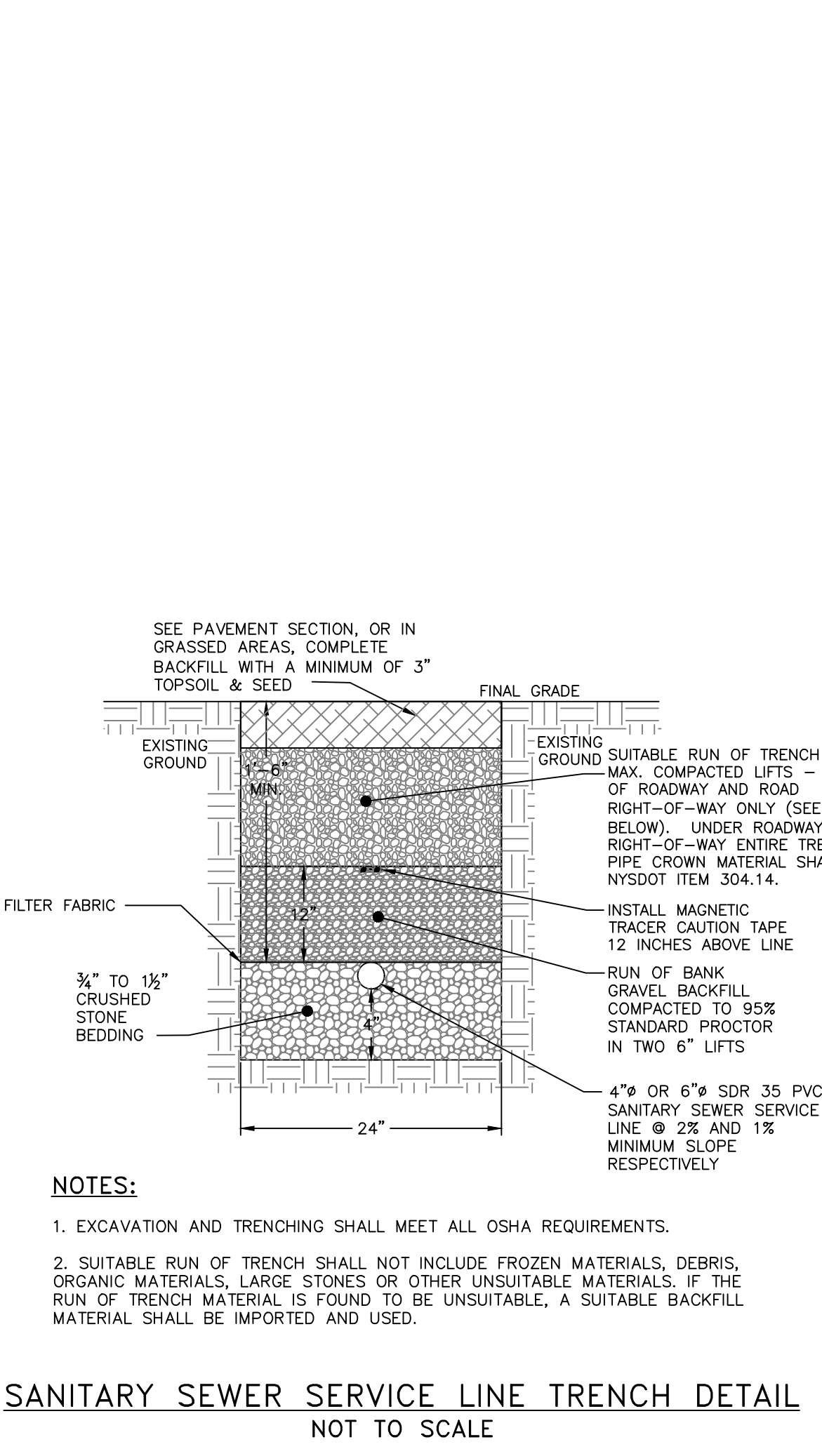
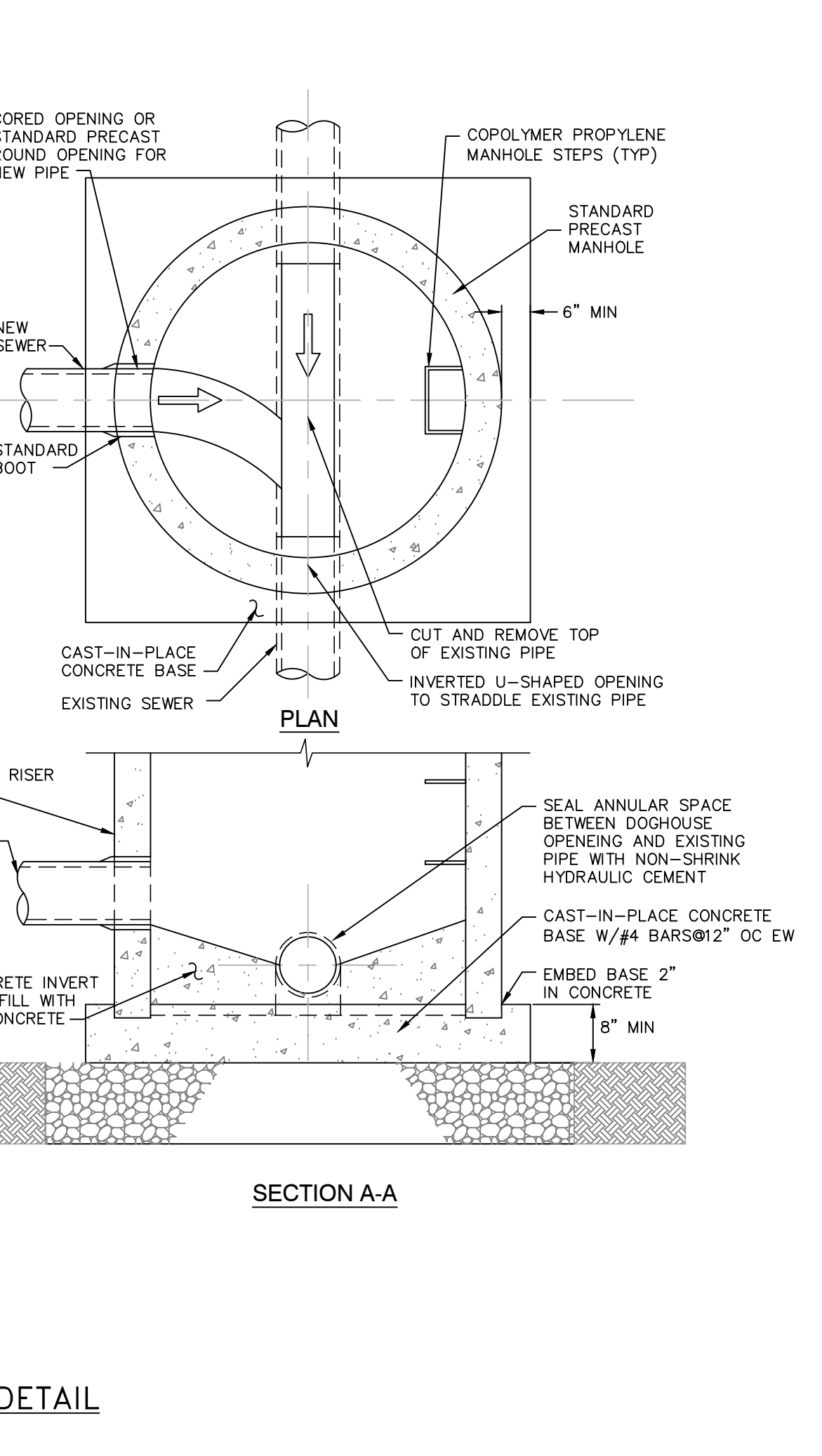
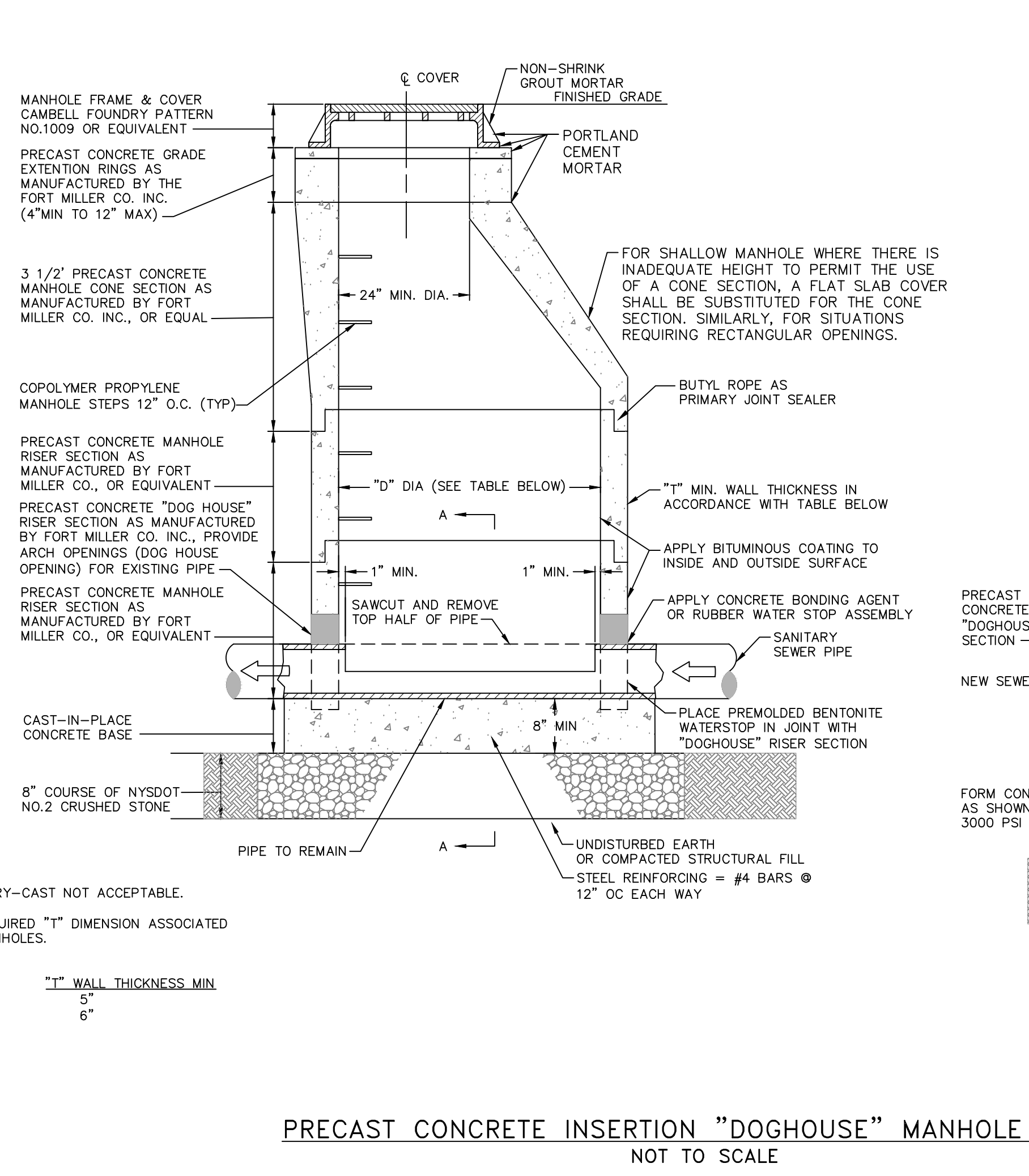
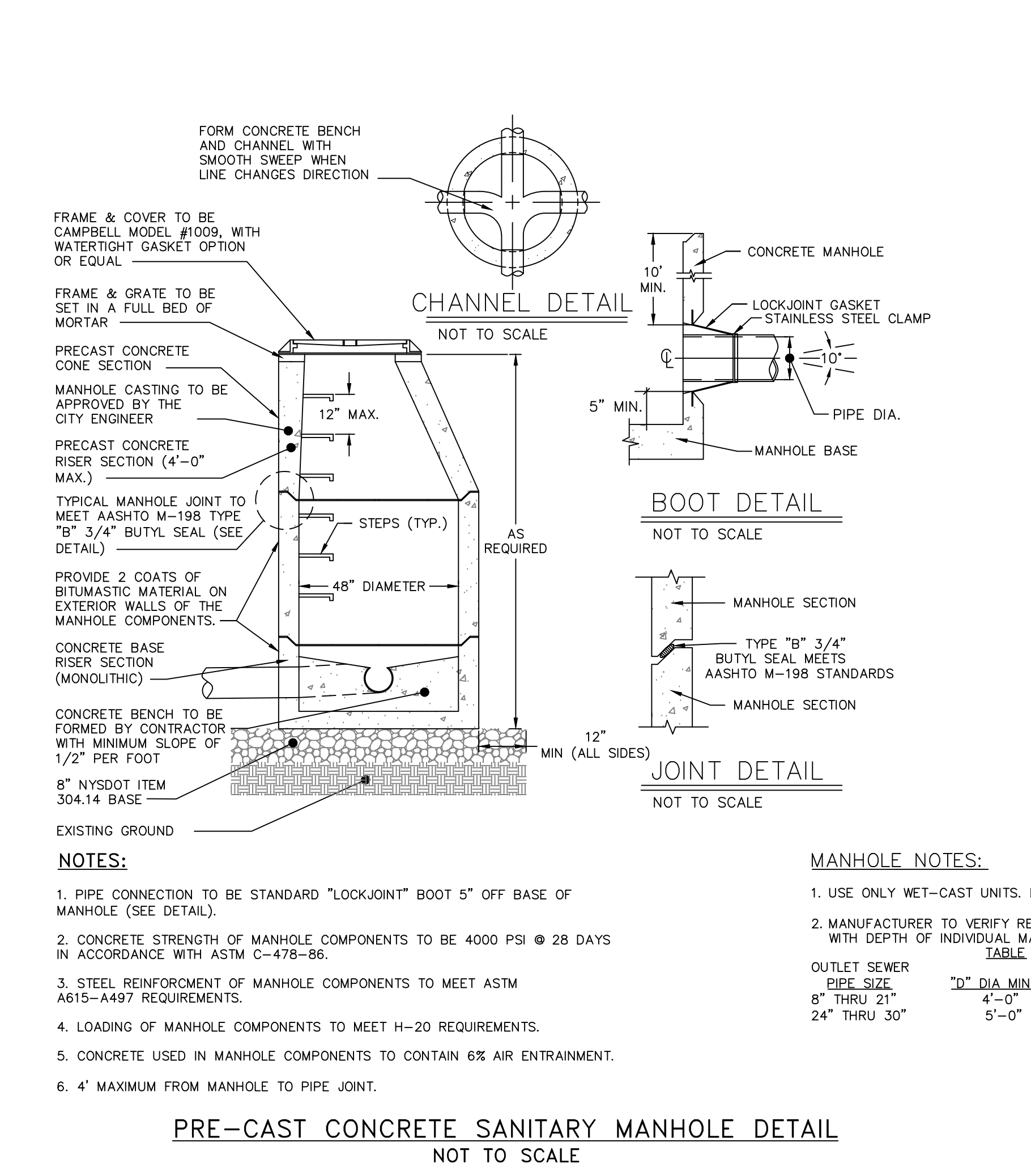
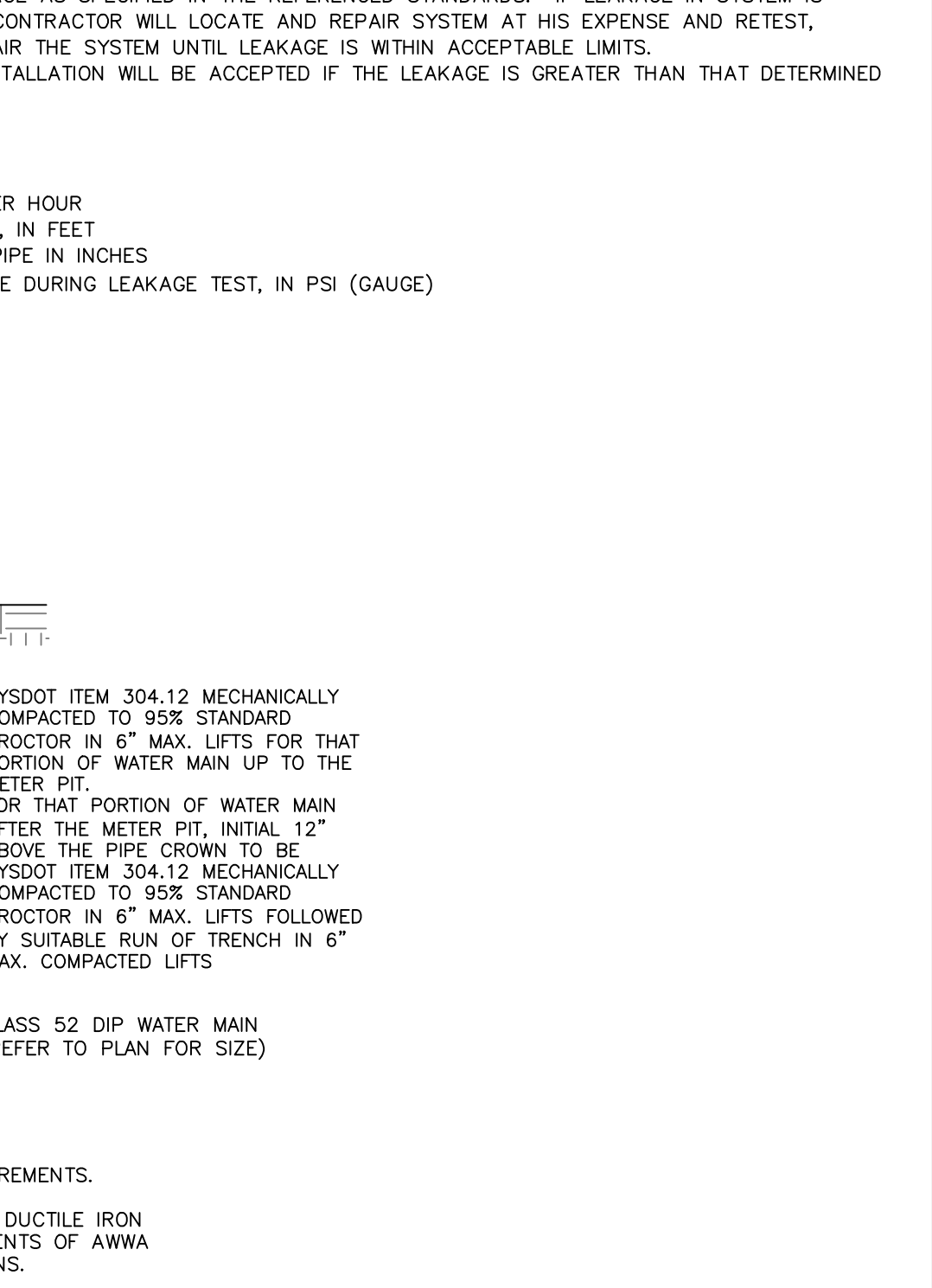
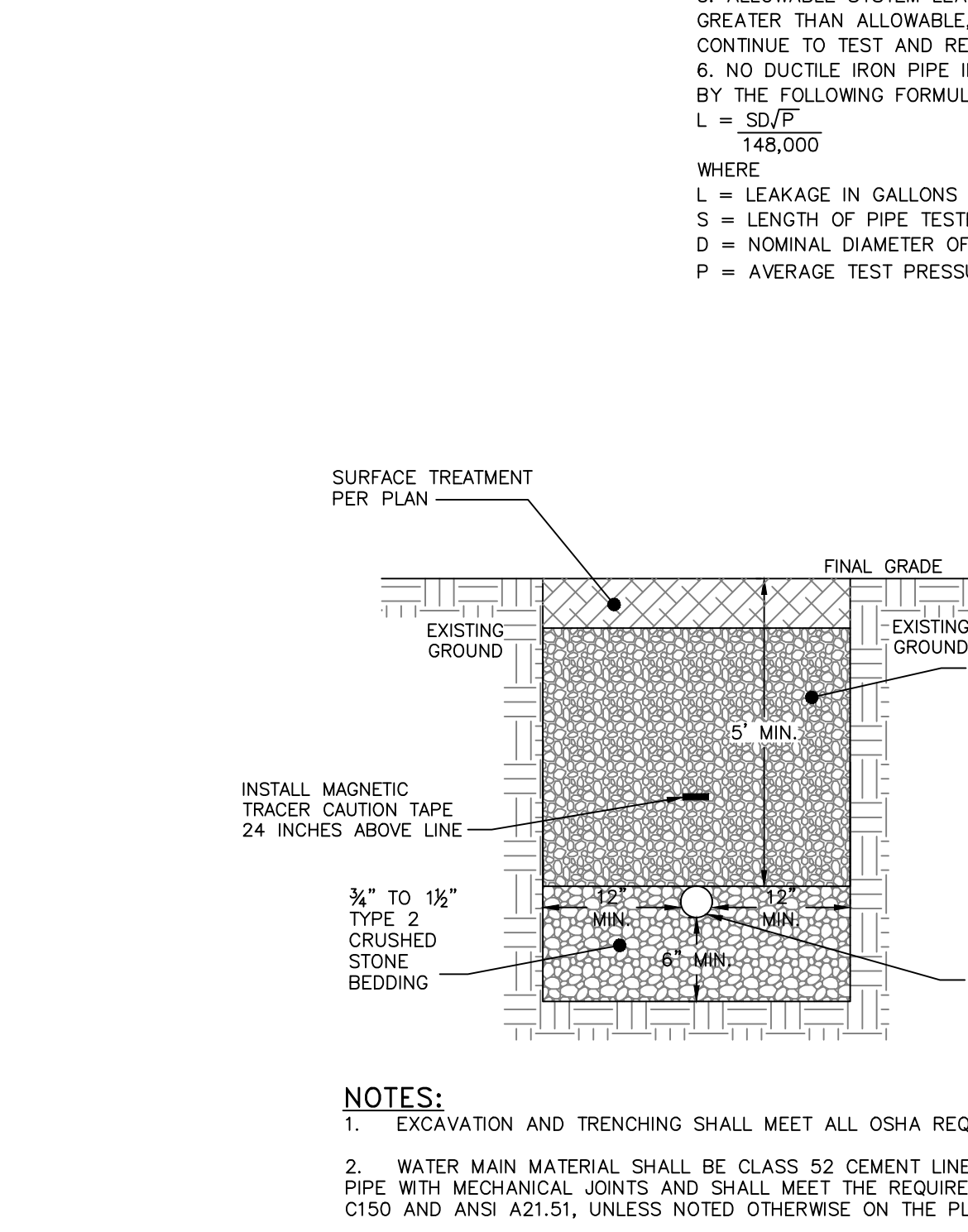
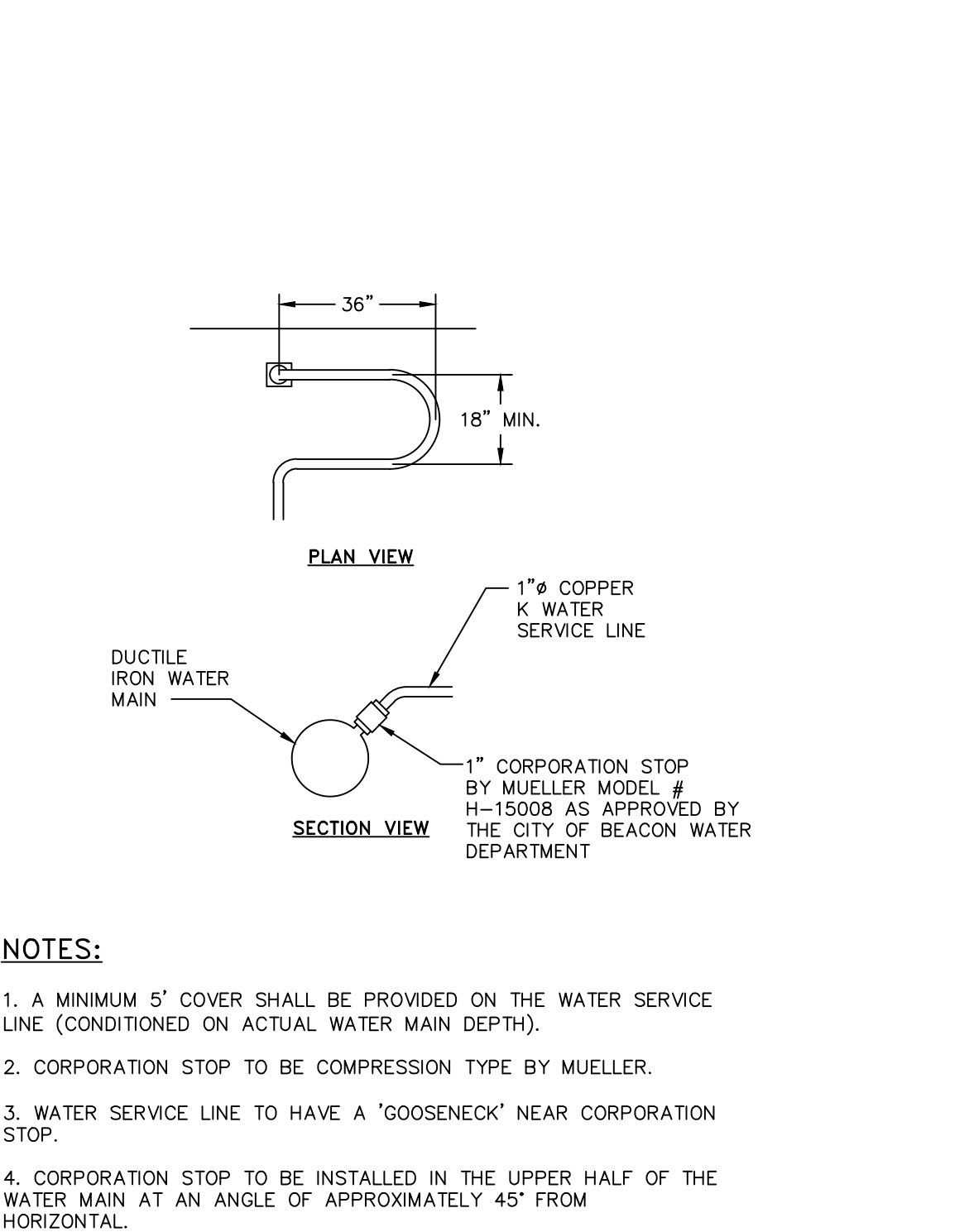
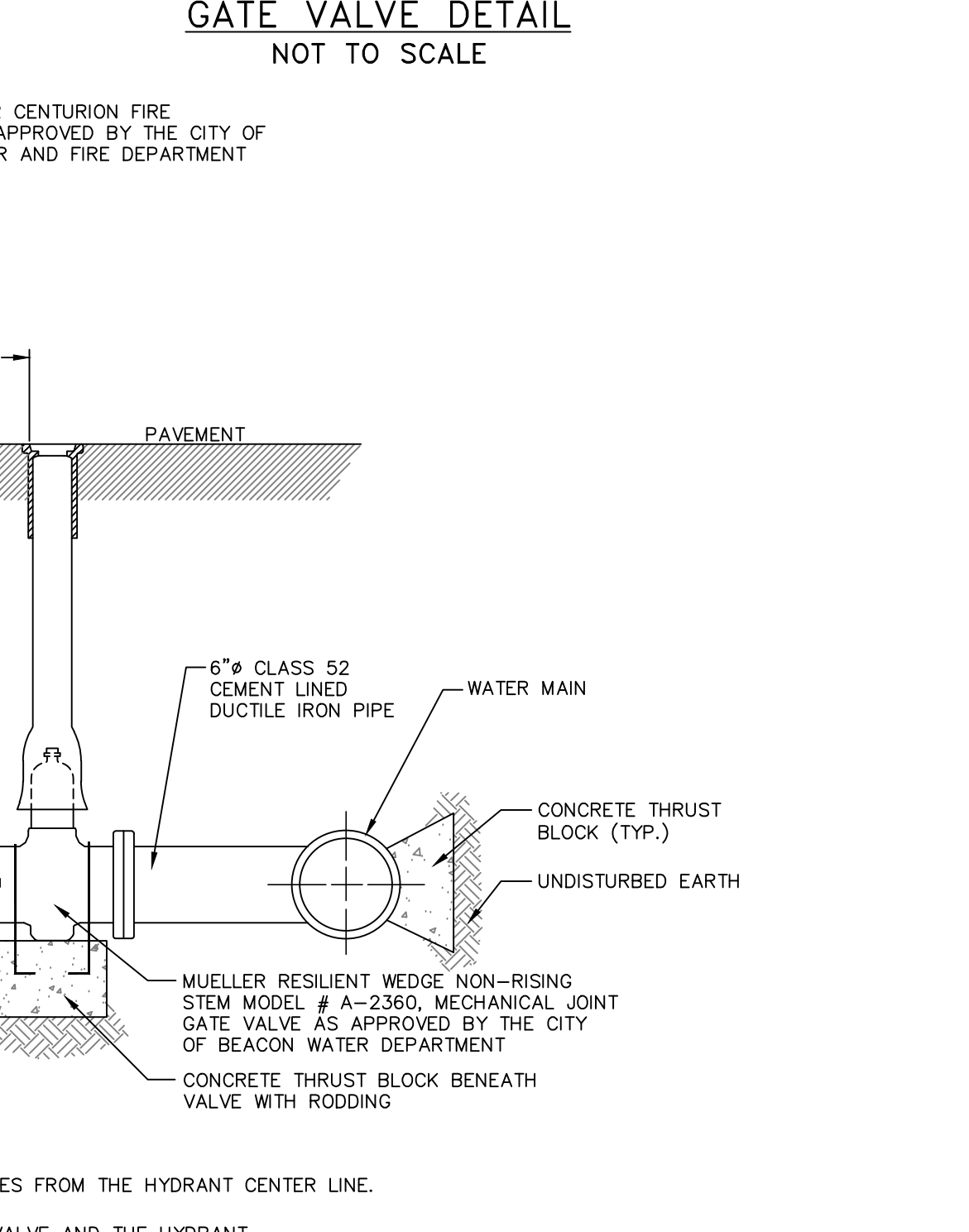
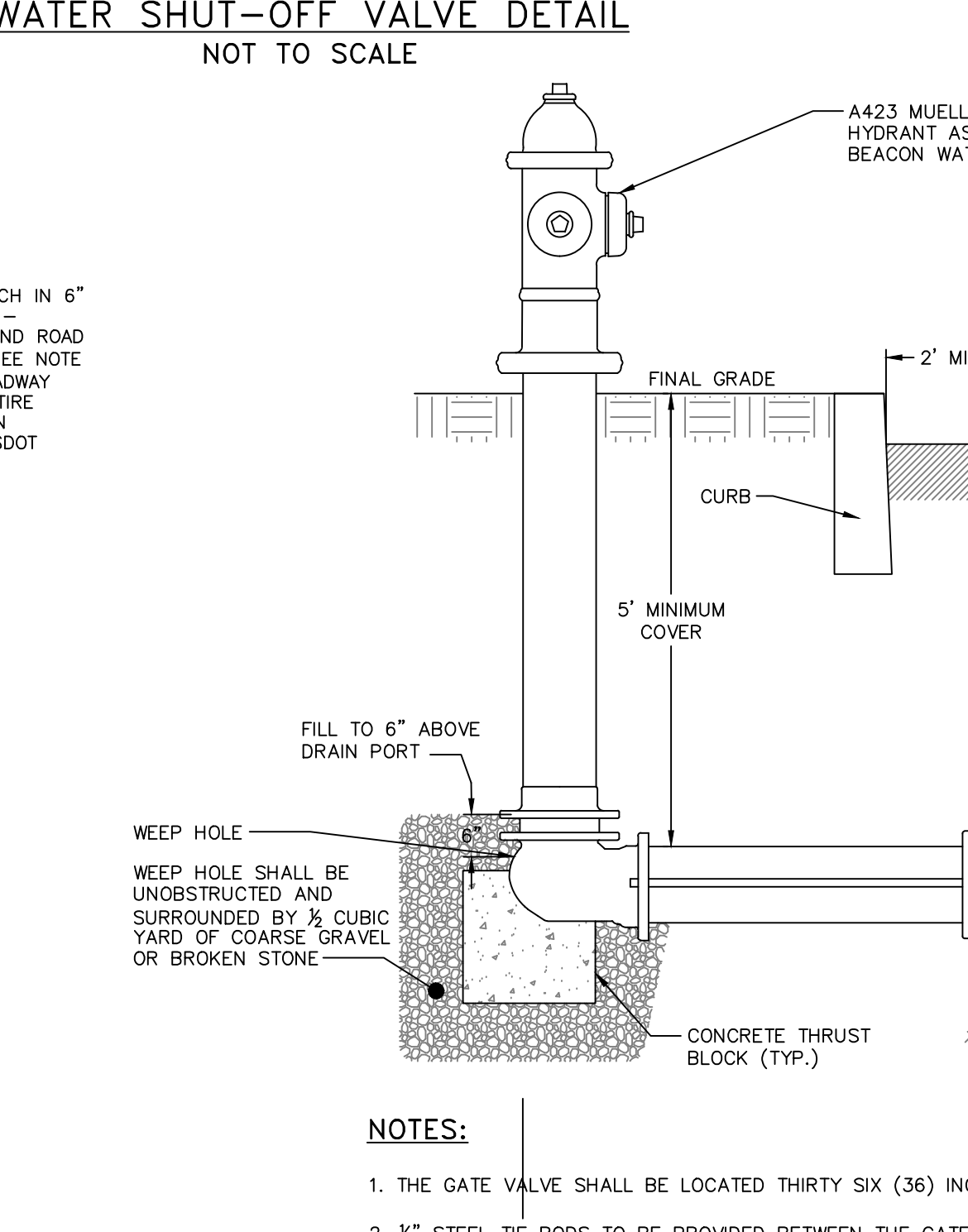
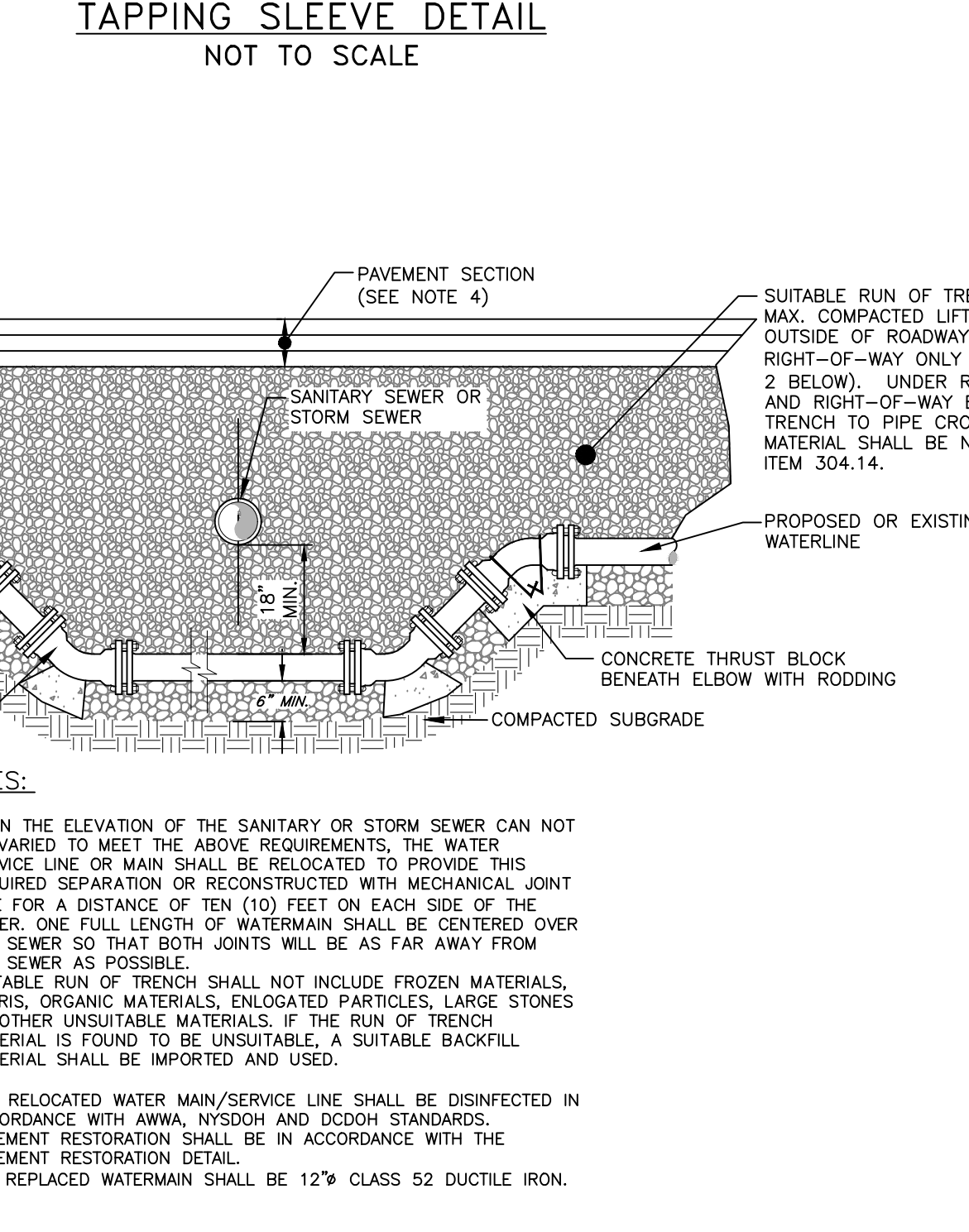
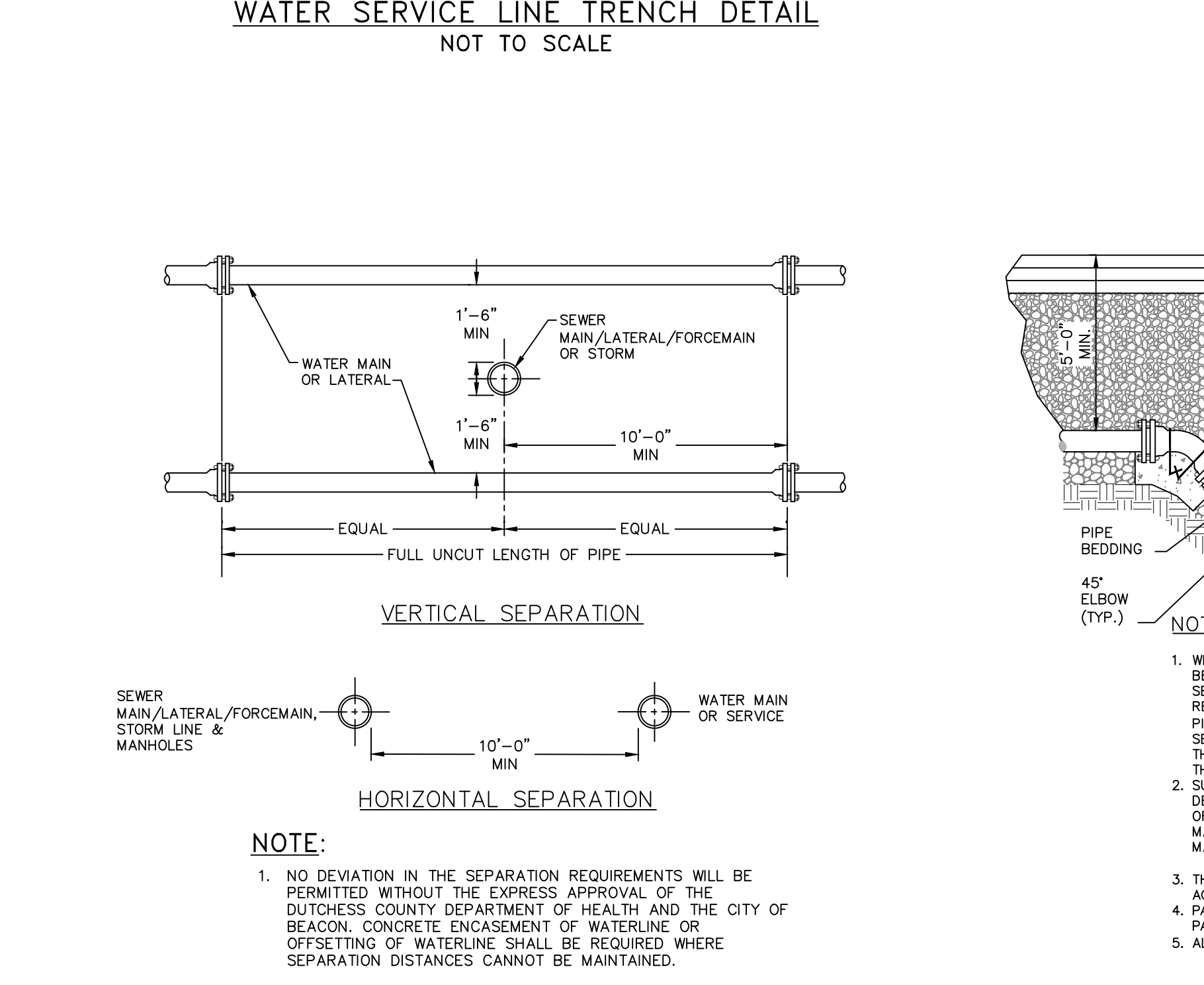
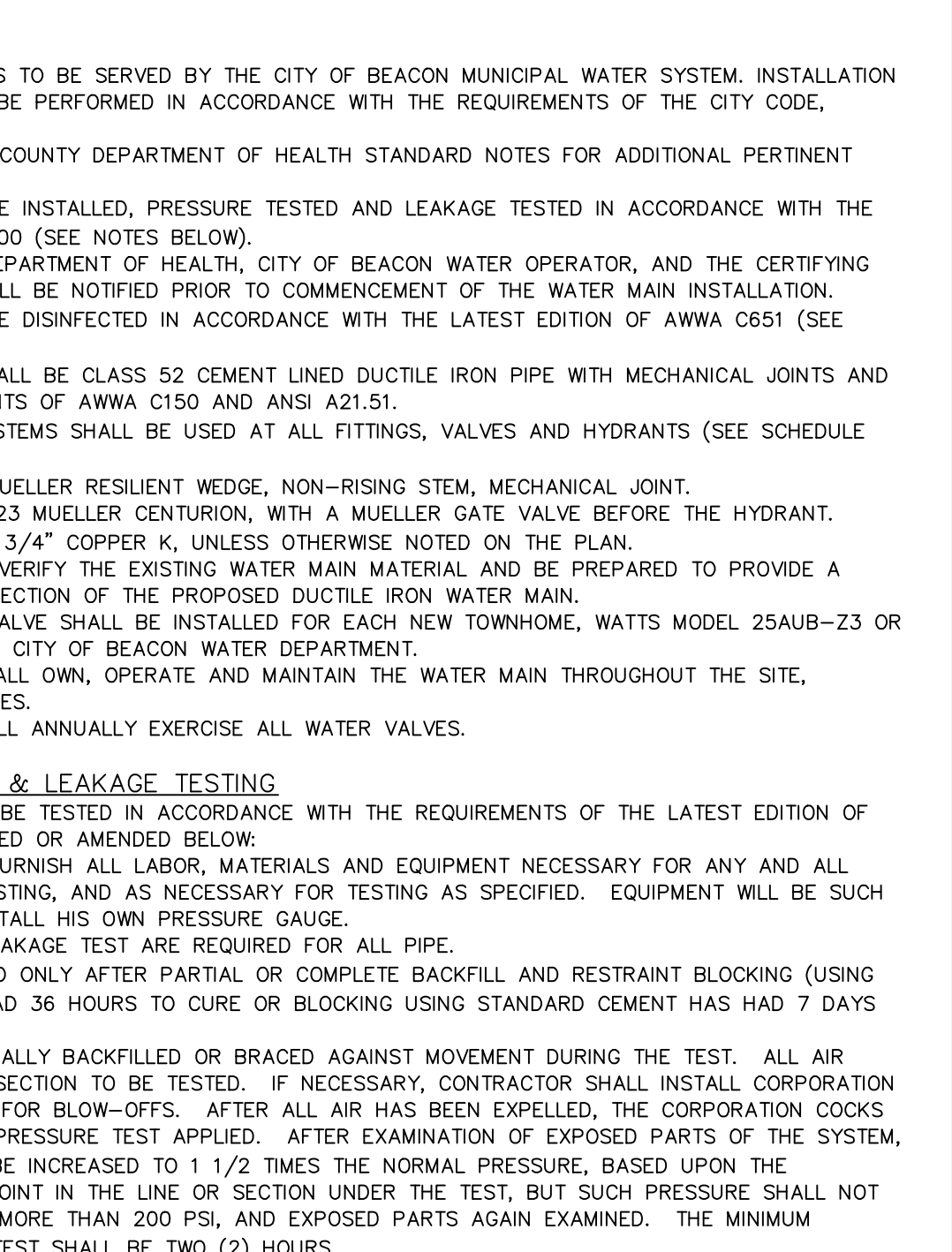
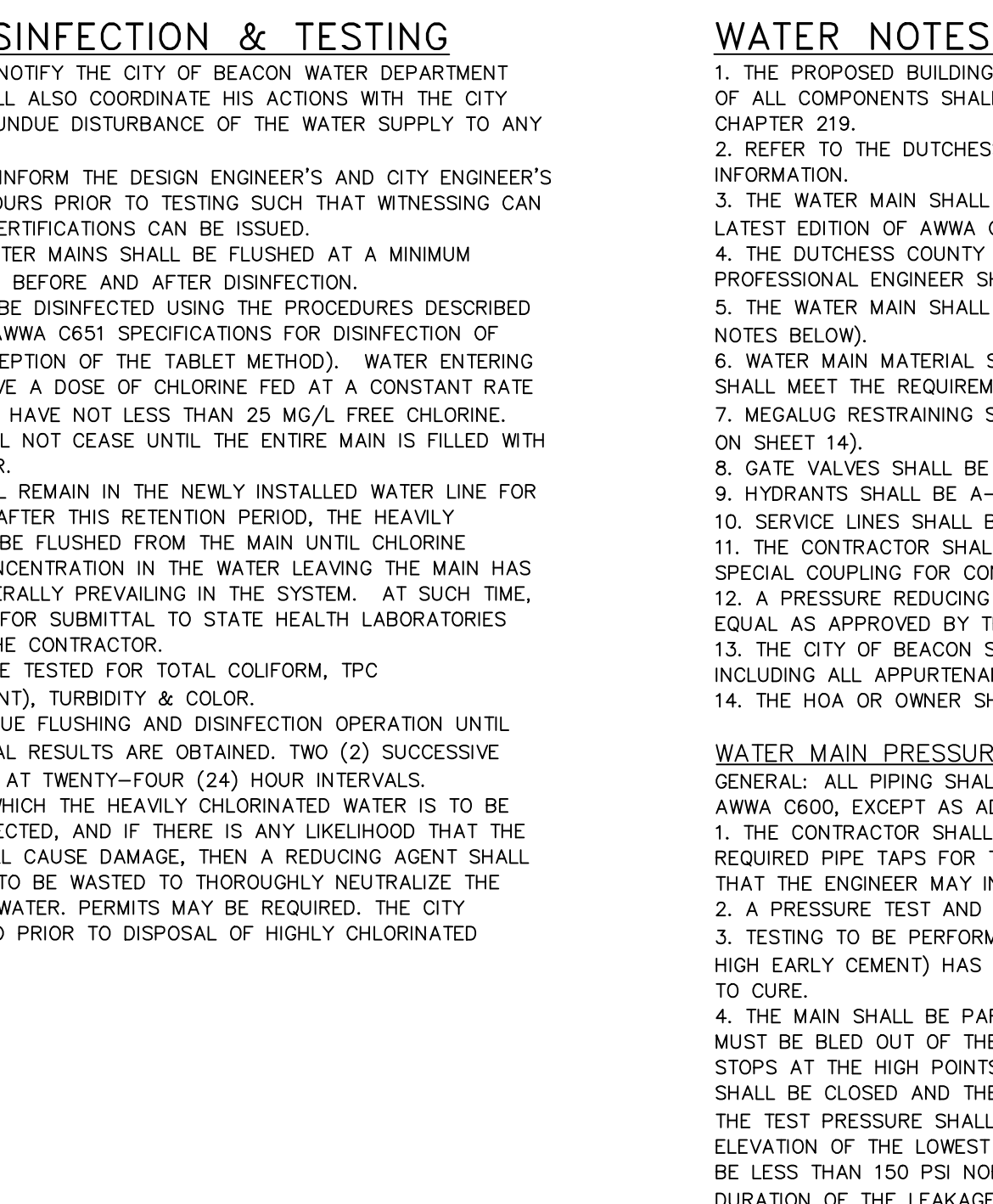
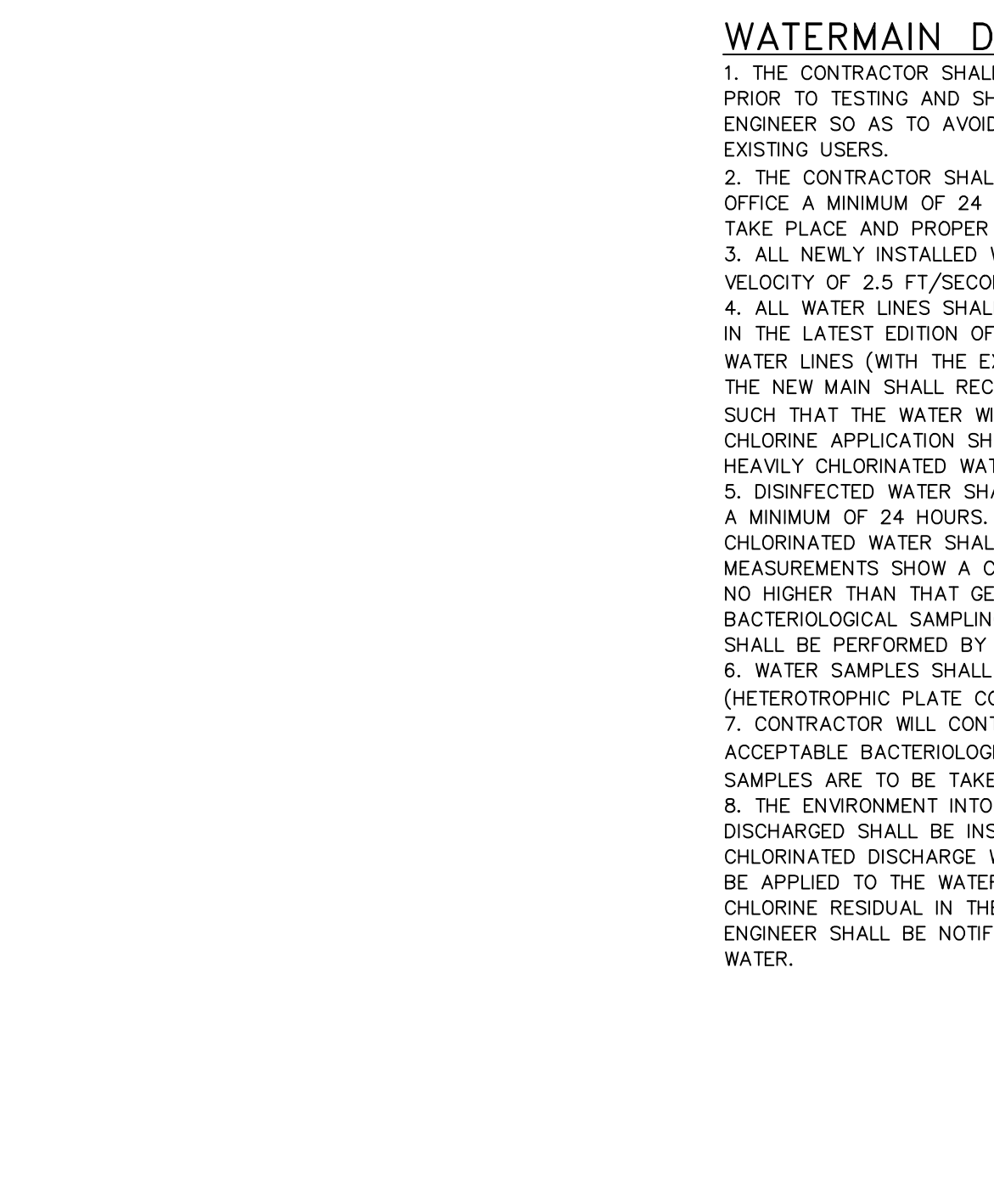
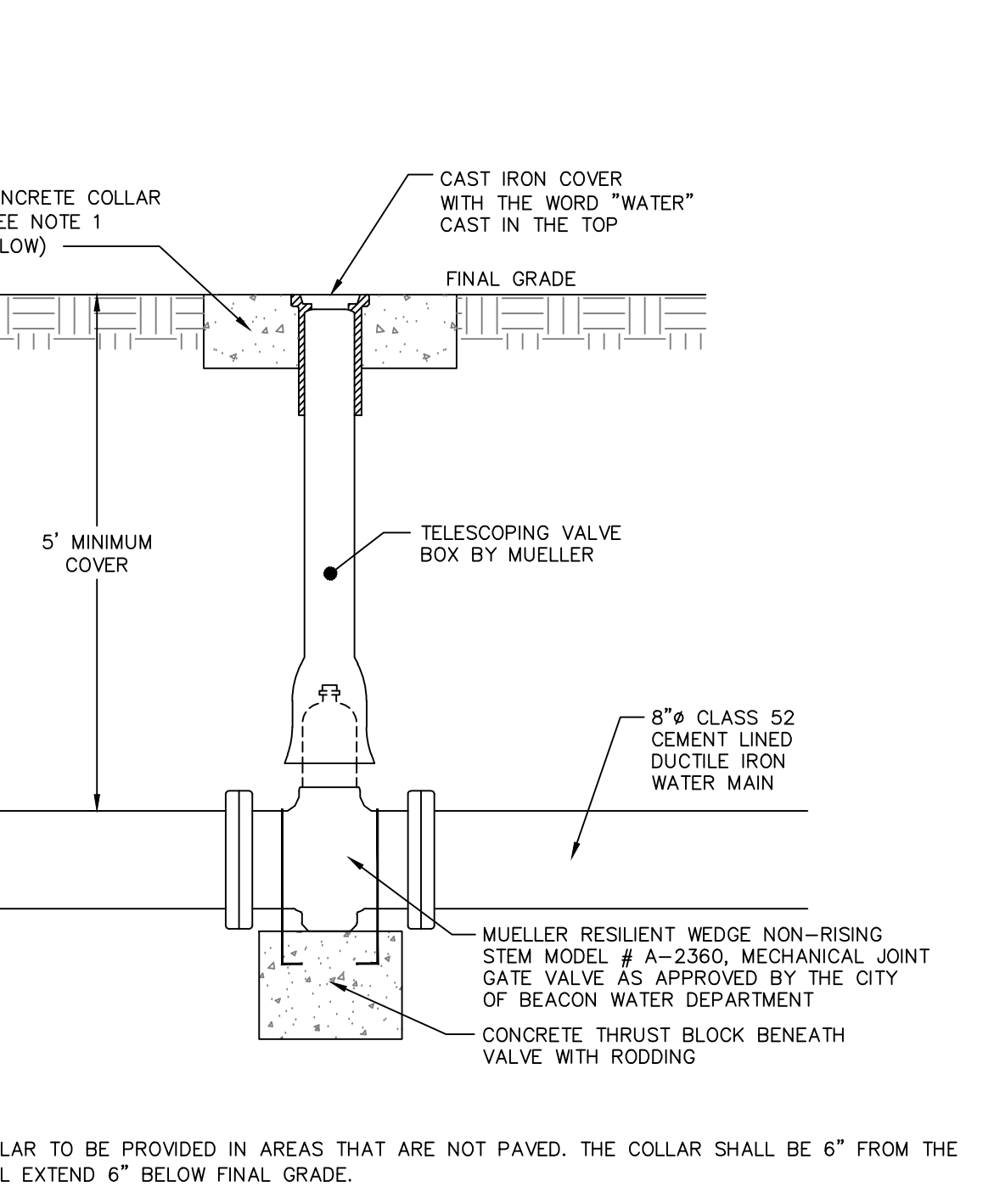
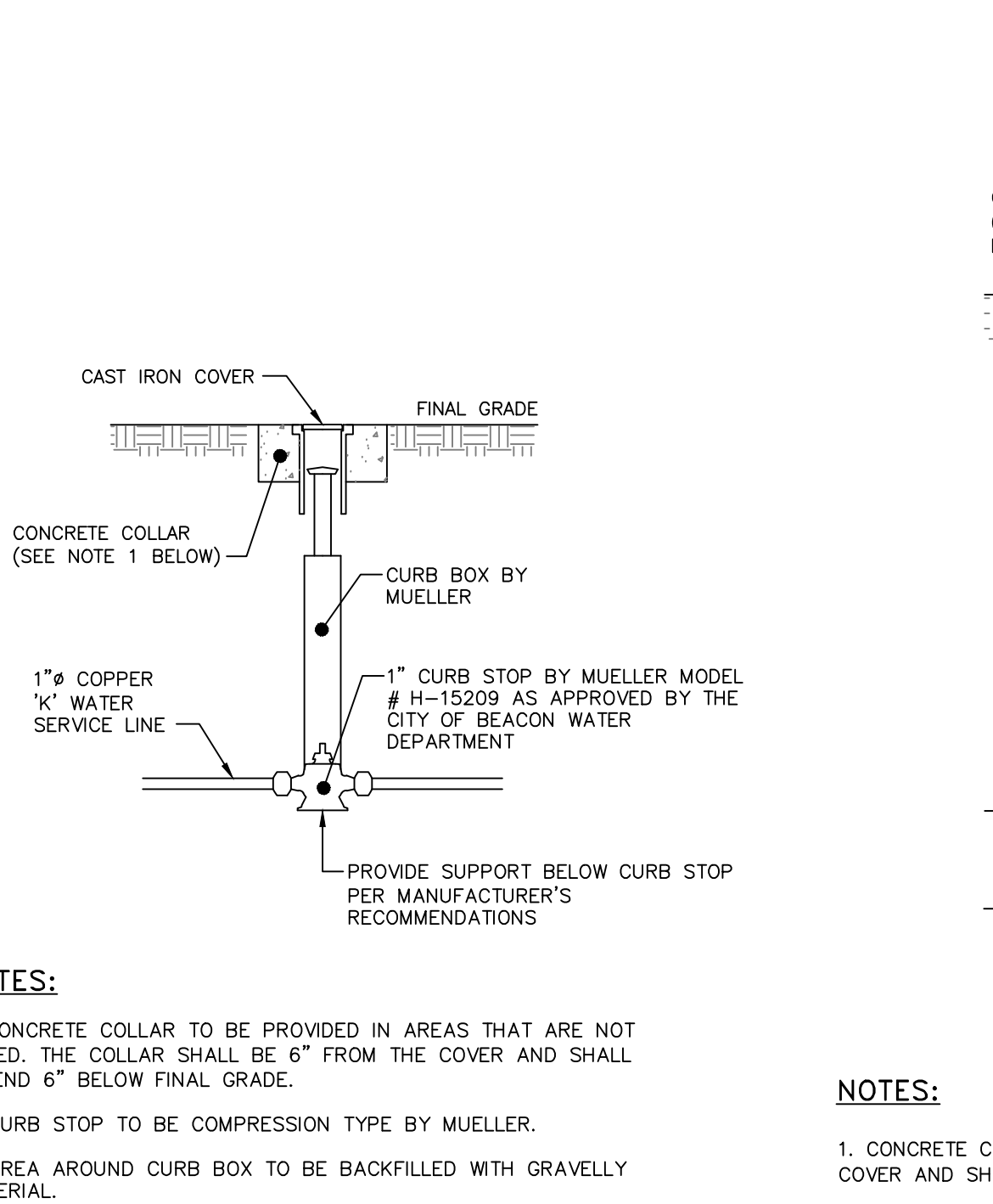
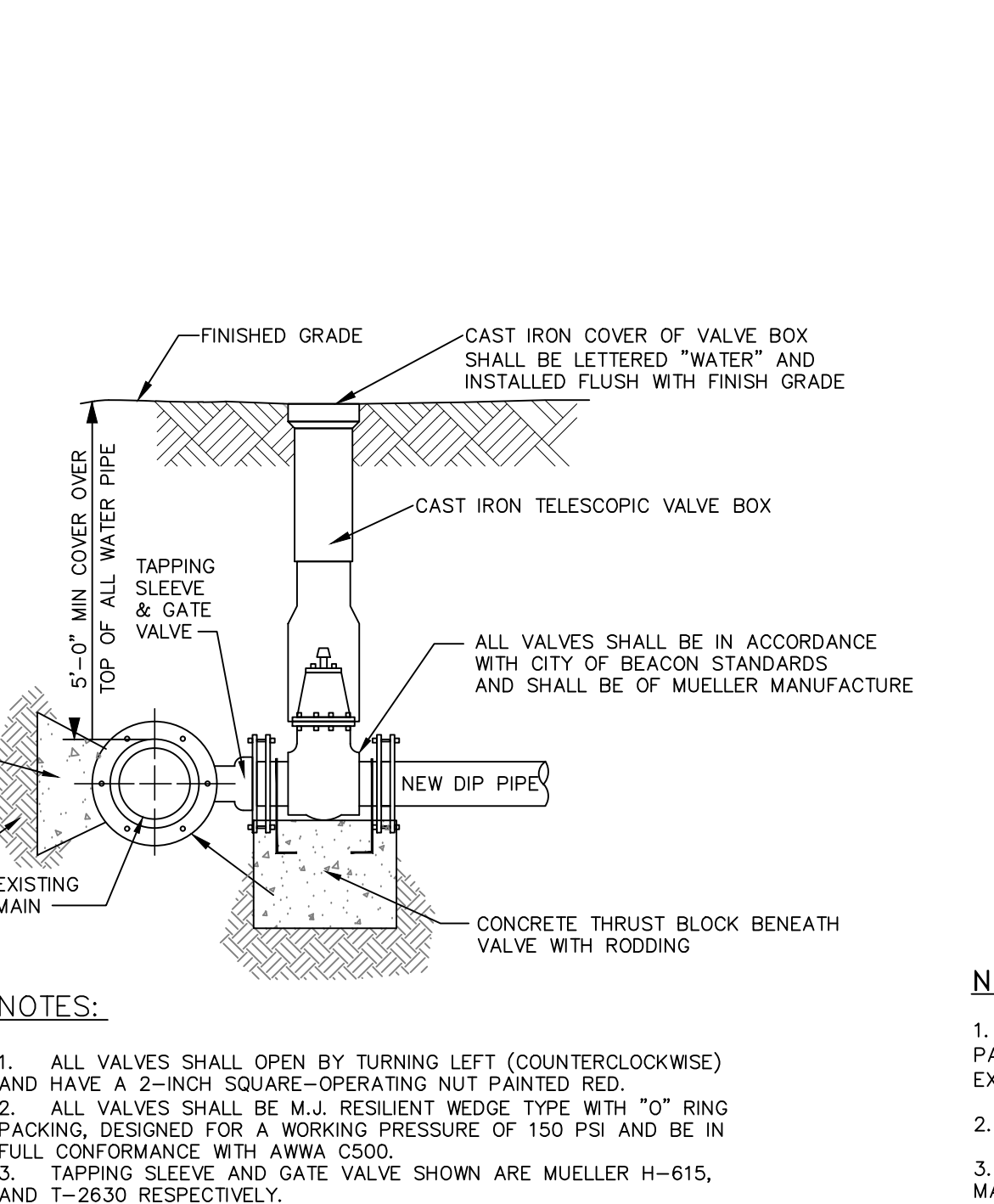
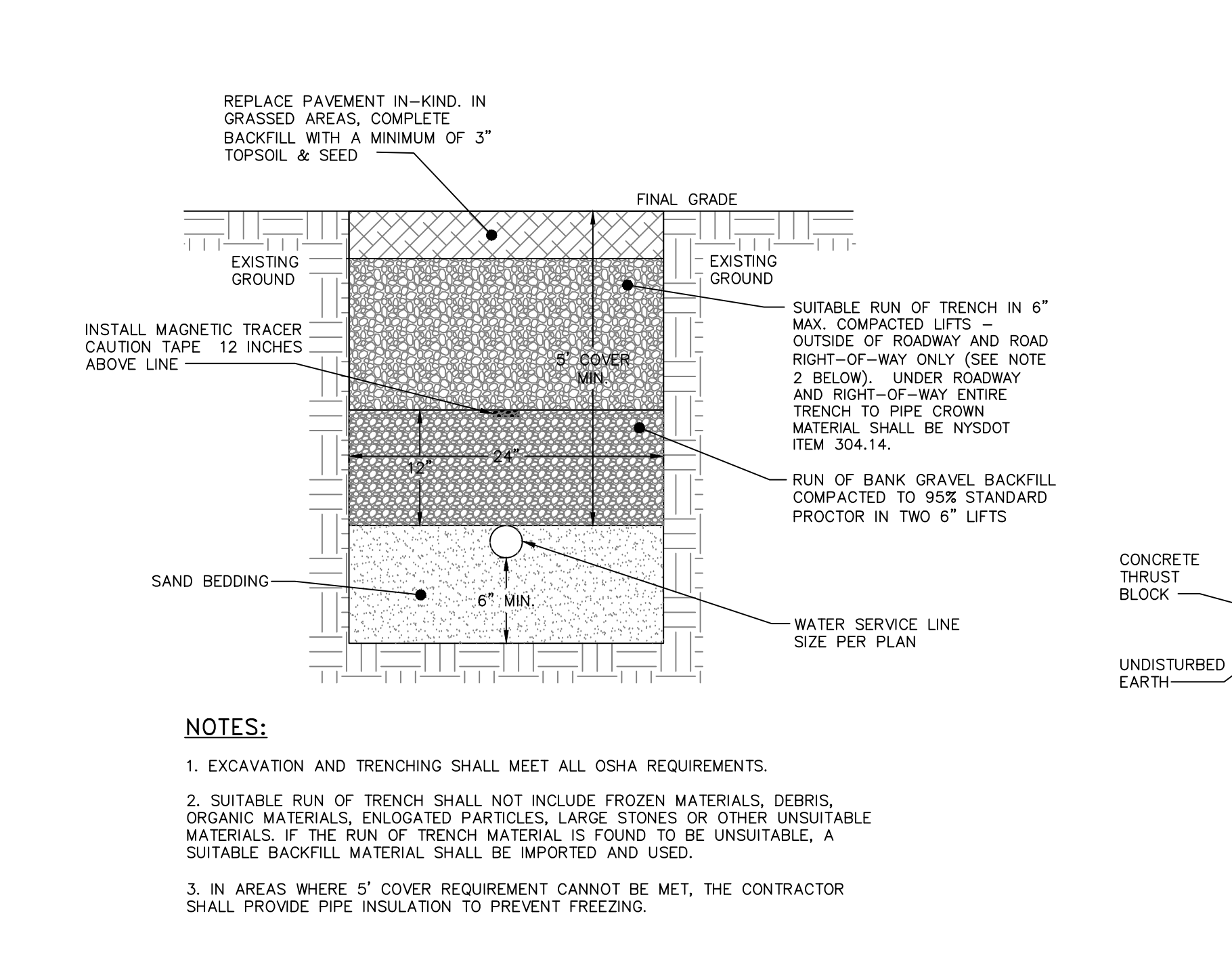


SEWER DETAILS



WATER DETAILS



DRAWN BY: MAB				CHECKED BY: DGK			
REVISIONS:				REVISIONS:			
NO.	DATE	DESCRIPTION	BY	NO.	DATE	DESCRIPTION	BY
1	12/29/18	REVISED FOR PLANNING BOARD SUBMISSION	MAB				
2	02/28/19	REVISED FOR PLANNING BOARD SUBMISSION	MAB				
3	02/28/19	NO CHANGE THIS SHEET	MAB				
4	04/30/19	REVISED PER PLANNING BOARD COMMENTS	MAB				
5	05/28/19	REVISED PER PLANNING BOARD COMMENTS	MAB				

DRAWN BY: MAB				CHECKED BY: DGK			
REVISIONS:				REVISIONS:			
NO.	DATE	DESCRIPTION	BY	NO.	DATE	DESCRIPTION	BY
1	12/29/18	REVISED FOR PLANNING BOARD SUBMISSION	MAB				
2	02/28/19	REVISED FOR PLANNING BOARD SUBMISSION	MAB				
3	02/28/19	NO CHANGE THIS SHEET	MAB				
4	04/30/19	REVISED PER PLANNING BOARD COMMENTS	MAB				
5	05/28/19	REVISED PER PLANNING BOARD COMMENTS	MAB				

DRAWN BY: MAB				CHECKED BY: DGK			
REVISIONS:				REVISIONS:			
NO.	DATE	DESCRIPTION	BY	NO.	DATE	DESCRIPTION	BY
1	12/29/18	REVISED FOR PLANNING BOARD SUBMISSION	MAB				
2	02/28/19	REVISED FOR PLANNING BOARD SUBMISSION	MAB				
3	02/28/19	NO CHANGE THIS SHEET	MAB				
4	04/30/19	REVISED PER PLANNING BOARD COMMENTS	MAB				
5	05/28/19	REVISED PER PLANNING BOARD COMMENTS	MAB				

DRAWN BY: MAB				CHECKED BY: DGK			
REVISIONS:				REVISIONS:			
NO.	DATE	DESCRIPTION	BY	NO.	DATE	DESCRIPTION	BY
1	12/29/18	REVISED FOR PLANNING BOARD SUBMISSION	MAB				
2	02/28/19	REVISED FOR PLANNING BOARD SUBMISSION	MAB				
3	02/28/19	NO CHANGE THIS SHEET	MAB				
4	04/30/19	REVISED PER PLANNING BOARD COMMENTS	MAB				
5	05/28/19	REVISED PER PLANNING BOARD COMMENTS	MAB				

DRAWN BY: MAB				CHECKED BY: DGK			
REVISIONS:				REVISIONS:			
NO.	DATE	DESCRIPTION	BY	NO.	DATE	DESCRIPTION	BY
1	12/29/18	REVISED FOR PLANNING BOARD SUBMISSION	MAB				
2	02/28/19	REVISED FOR PLANNING BOARD SUBMISSION	MAB				
3	02/28/19	NO CHANGE THIS SHEET	MAB				
4	04/30/19	REVISED PER PLANNING BOARD COMMENTS	MAB				
5	05/28/19	REVISED PER PLANNING BOARD COMMENTS	MAB				

DRAWN BY: MAB				CHECKED BY: DGK			
REVISIONS:				REVISIONS:			
NO.	DATE	DESCRIPTION	BY	NO.	DATE	DESCRIPTION	BY
1	12/29/18	REVISED FOR PLANNING BOARD SUBMISSION	MAB				
2	02/28/19	REVISED FOR PLANNING BOARD SUBMISSION	MAB				
3	02/28/19	NO CHANGE THIS SHEET	MAB				
4	04/30/19	REVISED PER PLANNING BOARD COMMENTS	MAB				
5	05/28/19	REVISED PER PLANNING BOARD COMMENTS	MAB				

DRAWN BY: MAB				CHECKED BY: DGK			
REVISIONS:				REVISIONS:			
NO.	DATE	DESCRIPTION	BY	NO.	DATE	DESCRIPTION	BY
1	12/29/18	REVISED FOR PLANNING BOARD SUBMISSION	MAB				
2	02/28/19	REVISED FOR PLANNING BOARD SUBMISSION	MAB				
3	02/28/19	NO CHANGE THIS SHEET	MAB				
4	04/30/19	REVISED PER PLANNING BOARD COMMENTS	MAB				
5	05/28/19	REVISED PER PLANNING BOARD COMMENTS	MAB				

Dig Safely. New York
800-962-7962
www.digsafely.com
Call Before You Dig
Mark The Required Time
Coordinate Utility Responses
Respect the Marks
Dig With Care

HUDSON LAND DESIGN

SEAL

HUDSON LAND DESIGN
PROFESSIONAL ENGINEERING P.C.
174 MAIN ST., BEACON, NEW YORK 12508
13 CHAMBERS ST., NEWBURGH, NEW YORK 12560
TEL: 845-440-6906
F: 845-440-6637

SEAL

WATER AND SEWER DETAILS
23-28 CREEK DRIVE
33-28 CREEK ROAD
CITY OF BEACON
DUTCHESS COUNTY, NEW YORK
TAX ID: 6054-37-037625

JOB #: 2018-029
DATE: 10/23/2018
SCALE: AS SHOWN
TITLE: D-3
SHEET: 12 OF 12