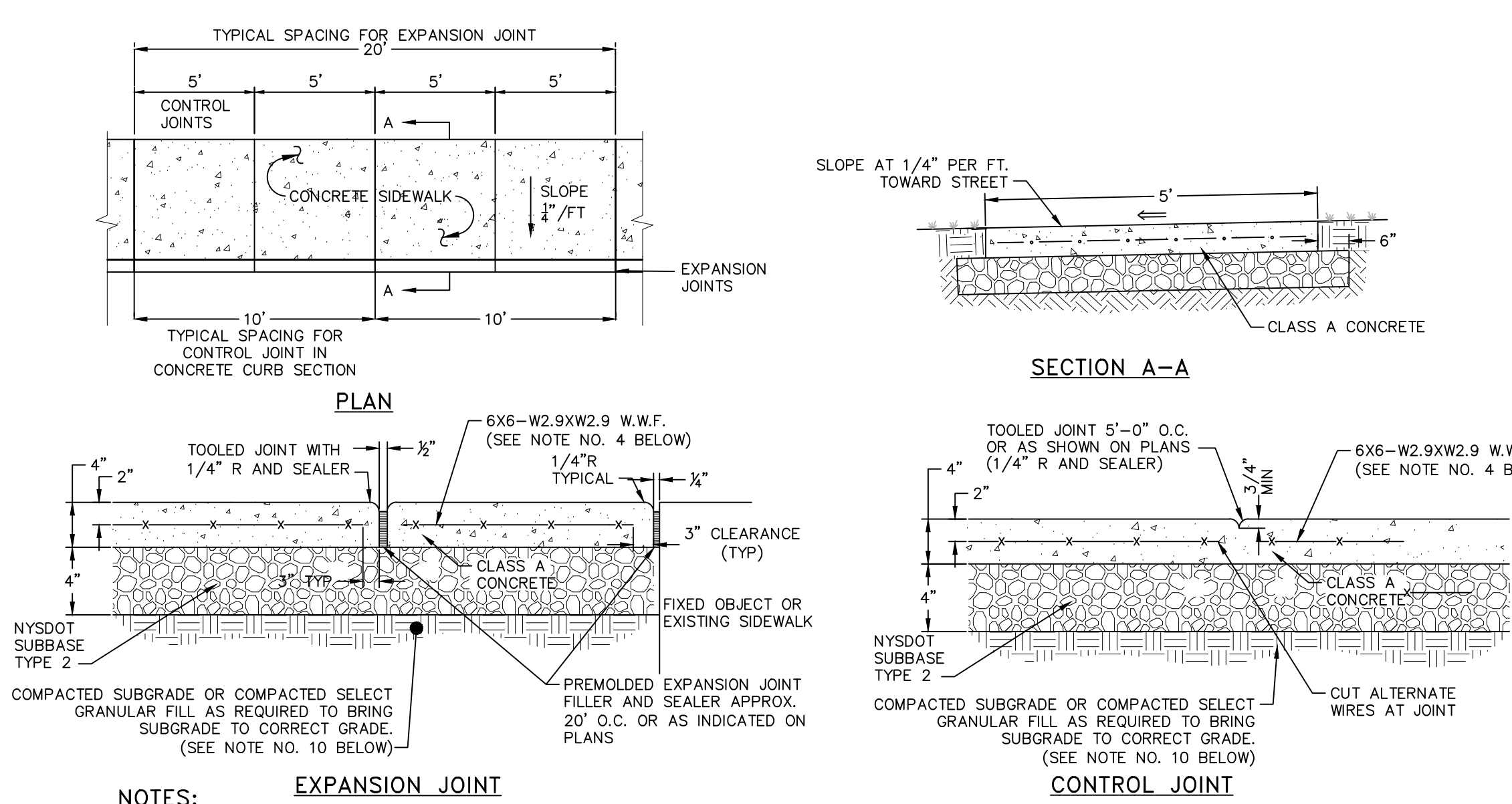


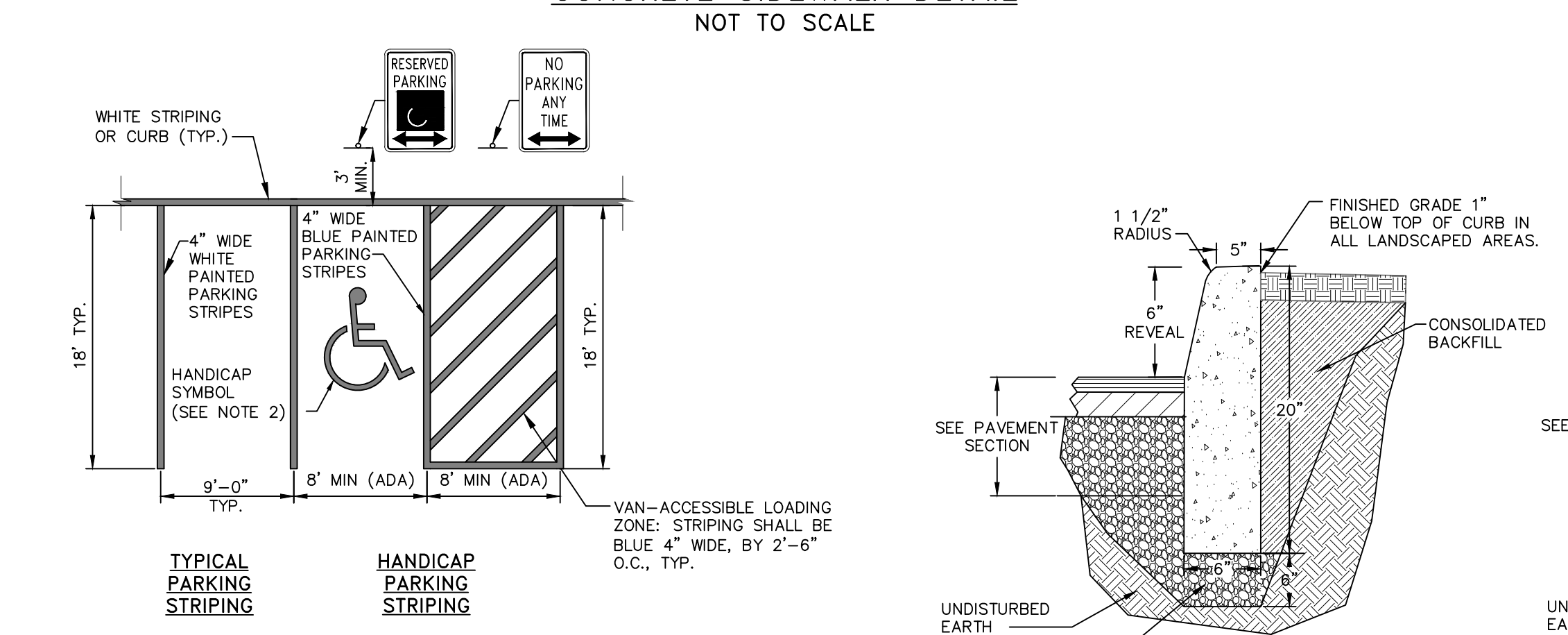
SITE DETAILS



NOTES:

1. 10' SPACING OF CONTROL JOINTS SHALL BE USED FOR CAST IN PLACE CONCRETE CURBS.
2. MATERIAL AND METHODS OF CONSTRUCTION SHALL BE IN CONFORMANCE WITH THE NEW YORK STATE DEPARTMENT OF TRANSPORTATION (NYSDOT) STANDARD SPECIFICATIONS FOR CONSTRUCTION AND MATERIALS, DATED JANUARY 2, 2002, AND ALL ADDENDA THEREIN. THE ONLY EXCEPTION BEING THAT THE WORK OF THIS CONTRACT SHALL BE MEASURED IN ENGLISH UNITS.
3. ALL CONCRETE SHALL BE 3500 PSI CLASS A CONCRETE. CONCRETE MATERIALS, PLACEMENT, AND CONSTRUCTION SHALL CONFORM WITH SECTION 500 OF THE ABOVE REFERENCED NYSDOT STANDARD SPECIFICATIONS.
4. REINFORCING STEEL FOR CONCRETE SHALL CONFORM WITH SECTION 556 - REINFORCING STEEL FOR CONCRETE STRUCTURES OF THE ABOVE REFERENCED NYSDOT STANDARD SPECIFICATIONS AND AS SPECIFICALLY CALLED OUT IN THE DRAWINGS.
5. ALL EXPOSED SURFACES SHALL HAVE A BROOM TEXTURED FINISH.
6. EXPANSION JOINTS SHALL BE LOCATED A MAXIMUM OF 20' ON CENTER, OR AS INDICATED ON PLANS.
7. JOINTS SHALL NOT BE SAW CUT.
8. EXPOSED CONCRETE SURFACES SHALL BE TREATED WITH "SUREBOND"/"SAFEbond" 98-7000 INTENSIFIER BRIGHT PROTECTOR AND SIDEWALK SEALER, OR EQUAL. RATE AND METHOD OF APPLICATION SHALL BE IN ACCORDANCE WITH MANUFACTURER'S RECOMMENDATION.
9. SUBGRADE MATERIAL SHALL CONFORM WITH SECTION 304 OF THE ABOVE REFERENCED NYSDOT STANDARD SPECIFICATIONS.
10. WHERE IT IS NECESSARY TO PLACE FILL FOR PURPOSES OF BRINGING THE SUBGRADE ELEVATION UP TO A SPECIFIED GRADE, THE FILL MATERIAL PLACED SHALL BE IN CONFORMANCE WITH SECTION 203-EXCAVATION AND EMBANKMENT OF THE ABOVE REFERENCED NYSDOT STANDARD SPECIFICATIONS.
11. ALL WORK SHALL CONFORM WITH SECTION 608-SIDEWALK, DRIVEWAYS, AND BICYCLE PATHS OF THE ABOVE REFERENCED NYSDOT STANDARD SPECIFICATIONS.

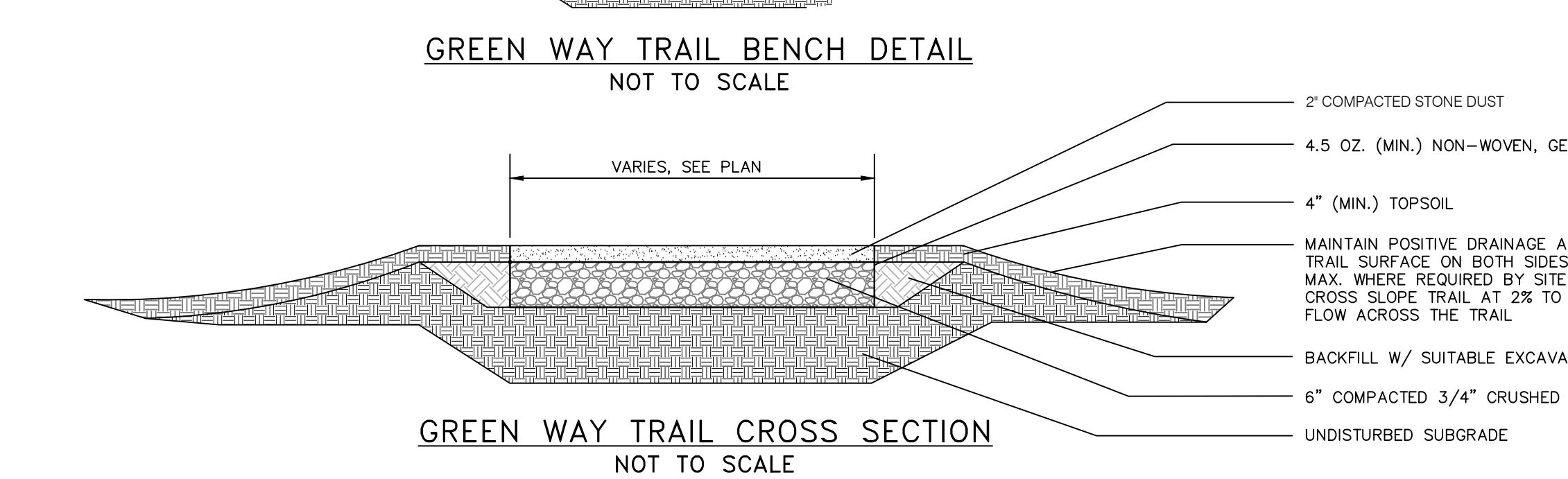
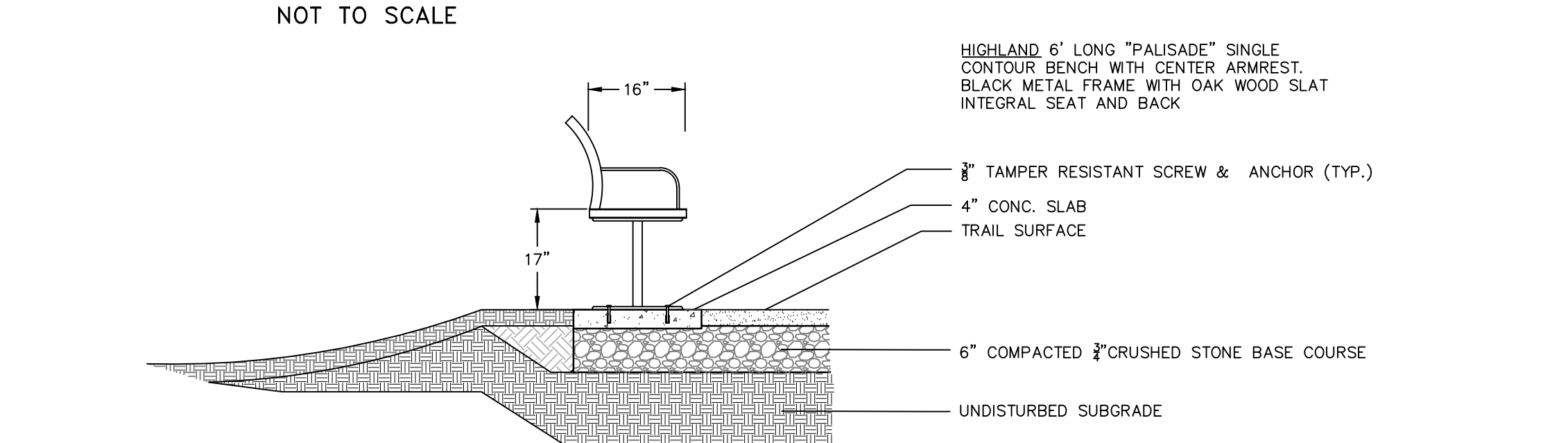
CONCRETE SIDEWALK DETAIL
NOT TO SCALE



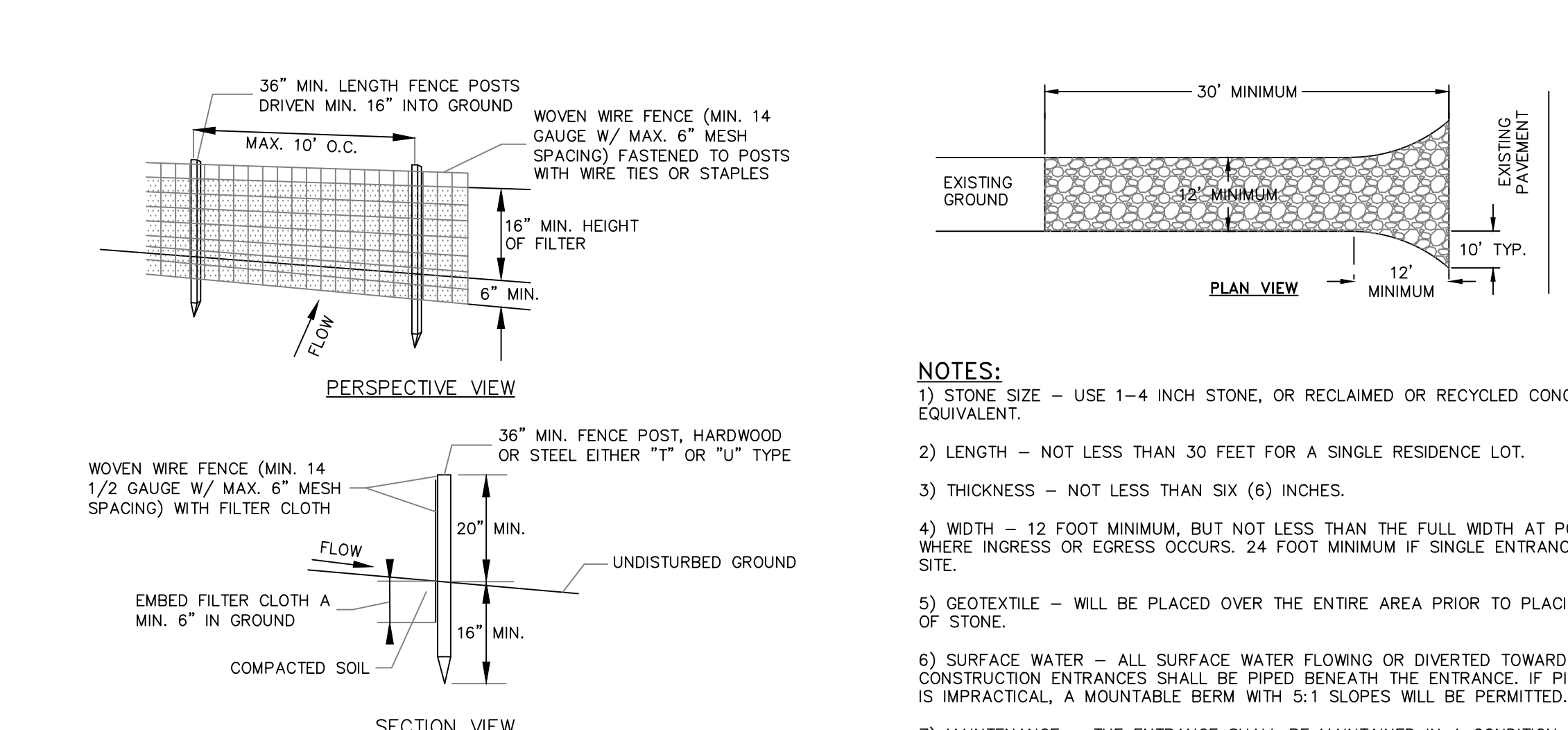
NOTES:

1. ALL DIMENSIONS SUBJECT TO CURRENT MUNICIPALITY ZONING AND SITE REGULATIONS.
2. PAINTED HANDCAP SYMBOL TO BE IN ACCORDANCE WITH NYSDOT AND ADA STANDARDS.
3. IF PARKING ADJUTS A SIDEWALK, THEN THE REGULATORY SIGNS SHALL BE PLACED BEHIND THE SIDEWALK.

PARKING AND STRIPING DETAIL
NOT TO SCALE



LANDSCAPE & EROSION AND SEDIMENT CONTROL DETAILS



NOTES:

1. FILTER CLOTH TO BE FASTENED SECURELY TO WOVEN WIRE FENCE WITH TIES SPACING EVERY 24" AT TOP AND MID SECTION.
2. WHEN TWO SECTIONS OF FILTER CLOTH ADJOIN EACH OTHER THEY SHALL BE OVERLAPPED BY SIX INCHES AND FOLDED. FILTER CLOTH SHALL BE EITHER FILTER X, MIRAL 100X, STABILINKA 1140N OR APPROVED EQUAL.
3. PREFABRICATED UNITS SHALL BE GEOTAF, ENVIRONMENT OR APPROVED EQUAL.
4. MAINTENANCE SHALL BE PERFORMED AS NEEDED AND MATERIAL REMOVED WHEN "BULGES" DEVELOP IN THE SILT FENCE.

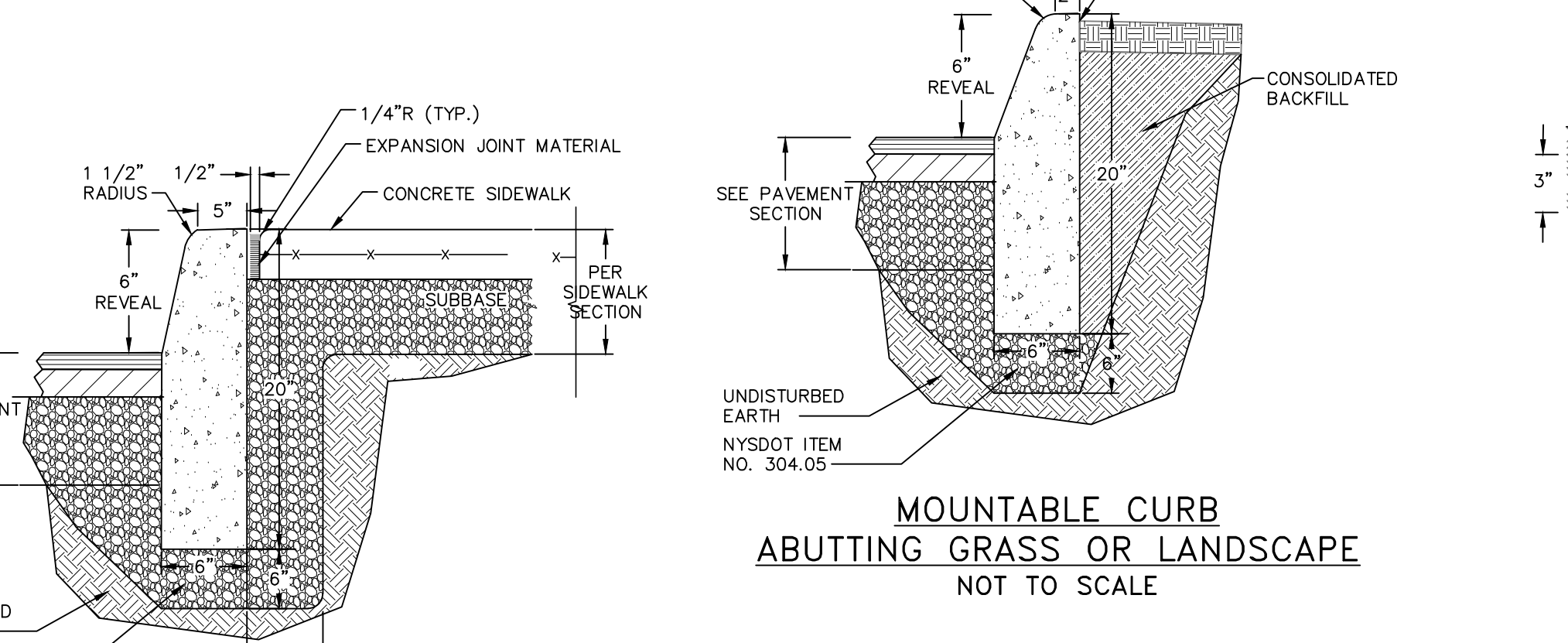
DRAWN BY: MAB			CHECKED BY: DKG				
REVISIONS:			REVISIONS:				
NO.	DATE	DESCRIPTION	BY	NO.	DATE	DESCRIPTION	BY
1	12/28/18	REVISED FOR PLANNING BOARD SUBMISSION	MAB				
2	02/28/19	NO CHANGE ON THIS SHEET	MAB				
3	03/28/19	REVISED PER PLANNING BOARD COMMENTS	MAB				
4	04/29/19	REVISED PER PLANNING BOARD COMMENTS	MAB				
5	05/29/19	NO CHANGE THIS SHEET	MAB				

PAVEMENT SECTION DETAIL
NOT TO SCALE



NOTES:

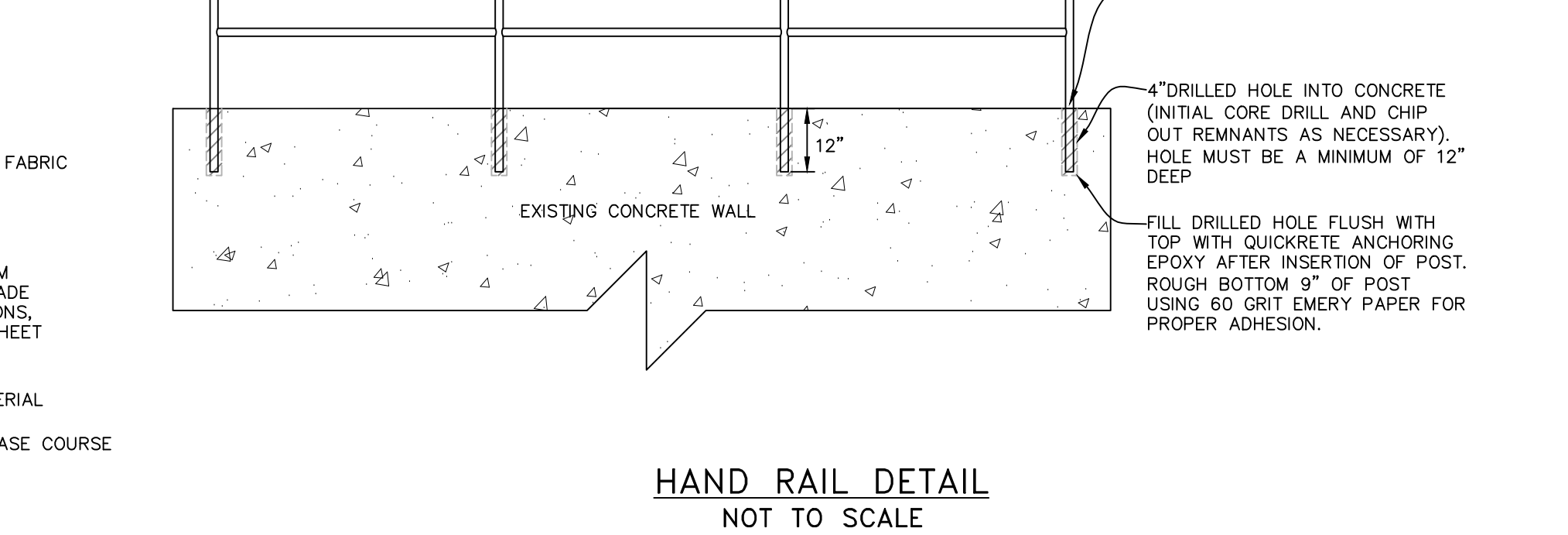
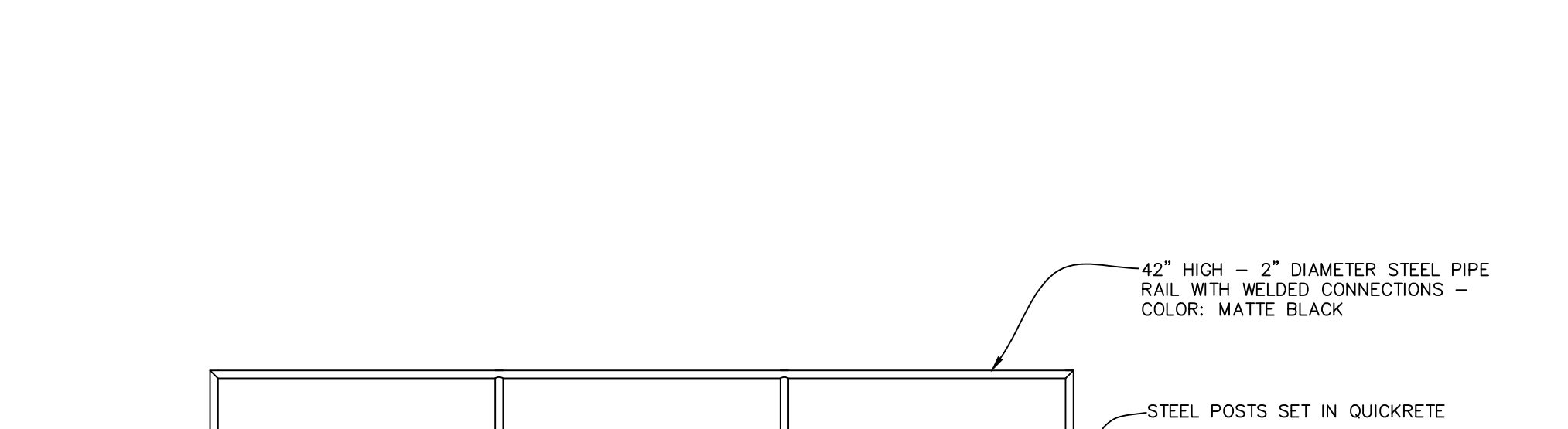
1. MATERIALS AND METHODS OF CONSTRUCTION SHALL BE IN CONFORMANCE WITH THE NEW YORK STATE DEPARTMENT OF TRANSPORTATION (NYSDOT) STANDARD SPECIFICATIONS FOR CONSTRUCTION AND MATERIALS, DATED JANUARY 2, 2002.
2. SUBGRADE SHALL NOT INCLUDE FROZEN MATERIALS, DEBRIS, ORGANIC MATERIALS, LARGE STONES OR OTHER UNSUITABLE MATERIALS.
3. TACK COAT WHEN SPECIFIED OR CALLED OUT IN THESE DRAWINGS OR REQUIRED BY THE REFERENCED SPECIFICATIONS SHALL CONFORM WITH SECTION 407-TACK COAT OF THE ABOVE REFERENCED NYSDOT STANDARD SPECIFICATIONS.
4. WHERE IT IS NECESSARY TO PLACE FILL FOR PURPOSES OF BRINGING THE SUBGRADE ELEVATION UP TO A SPECIFIED GRADE, THE FILL MATERIAL PLACED SHALL BE IN CONFORMANCE WITH SECTION 203-EXCAVATION AND EMBANKMENT OF THE ABOVE REFERENCED NYSDOT STANDARD SPECIFICATIONS.
5. IT IS EXPECTED THAT THE EXISTING SITE SUB-SOLS ARE SAND AND GRAVEL IN NATURE (CALIFORNIA BEARING RATIO RANGE BETWEEN 40 AND 80). IF UNSUITABLE SOILS ARE ENCOUNTERED DURING CONSTRUCTION, THE CONTRACTOR SHALL CONTACT THE ENGINEER FOR POSSIBLE MODIFICATIONS TO THE PAVEMENT DETAIL.



NOTES:

1. SAW CUT MIN. 18" BEYOND EXCAVATION WITH SMOOTH EDGES. 18" JOINT BETWEEN EXISTING AND NEW TOP COURSE TO BE MILLED. JOINT TO BE SEALED WITH POLYMER MODIFIED SEALER.
2. FURNISH, PLACE, AND COMPACT SUBGRADE.
3. TACK COAT IN ACCORDANCE WITH NYSDOT STANDARD SPEC.
4. FURNISH AND PLACE ASPHALT CONCRETE PAVEMENT AS SPECIFIED.

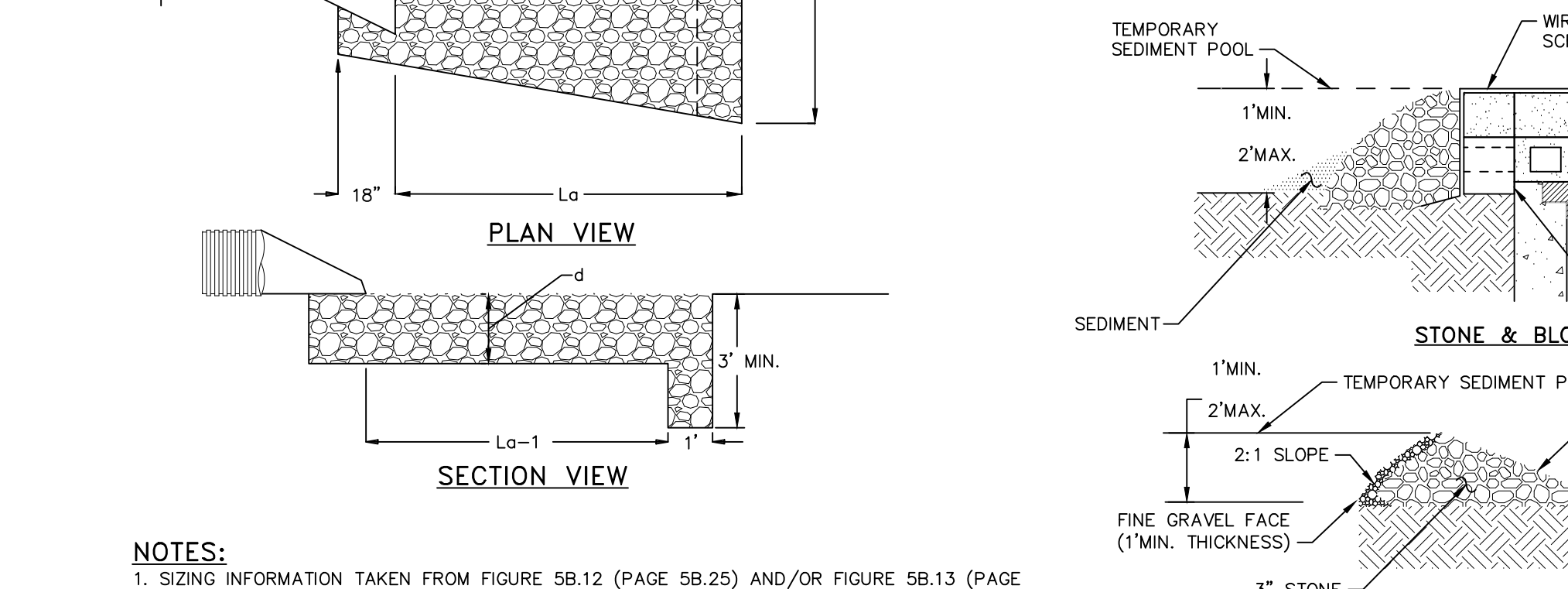
PAVEMENT RESTORATION DETAIL
NOT TO SCALE



NOTES:

1. CONCRETE CURB SHALL BE 4000 PSI CAST-IN-PLACE, AND IN ACCORDANCE WITH NYSDOT STANDARD SPECIFICATION SECTION 609.
2. EXPANSION JOINTS OF 1/2" CELLULOSE OR SIMILAR MATERIAL SHALL BE PLACED AT 10 FOOT INTERVALS.
3. FOR MOUNTABLE CURBS ABUTTING SIDEWALK, REFER TO "ABUTTING SIDEWALK" DETAIL.

CAST-IN-PLACE CONCRETE CURB DETAIL
NOT TO SCALE

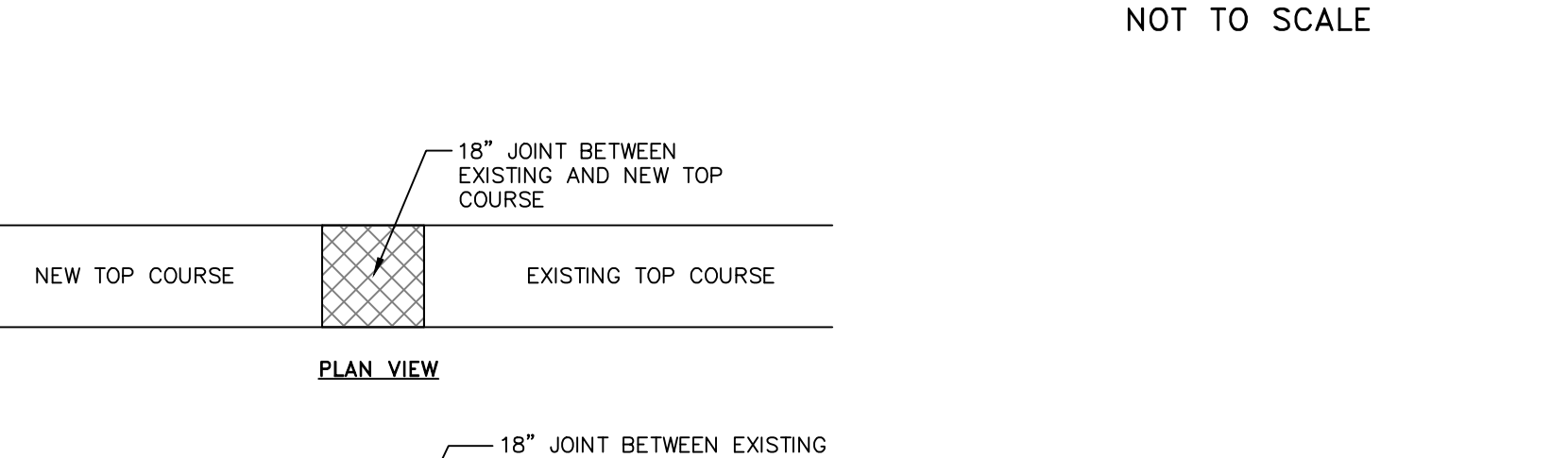


NOTES:

1. SIZING INFORMATION TAKEN FROM FIGURE 5B.12 (PAGE 5B.25) AND/OR FIGURE 5B.13 (PAGE 5B.26) OF THE "NEW YORK" STANDARDS AND SPECIFICATIONS FOR EROSION AND SEDIMENT CONTROL, 2016 EDITION.
2. RIPRAP SHALL BE COMPOSED OF A WELL-GRADED MIXTURE OF STONE SIZE SO THAT 50% OF THE MINIMUM THICKNESS OF THE RIPRAP LAYER SHALL BE LARGER BY WEIGHT, THAN THE SPECIFIED #50. THE LARGEST STONE SIZE SHALL BE 1.5 TIMES #50.
3. THE MINIMUM THICKNESS OF THE RIPRAP LAYER SHALL BE 1.5 TIMES THE MAXIMUM STONE SIZE FOR #50 OF 15 INCHES OR LESS, AND 1.2 TIMES THE MAXIMUM STONE SIZE FOR #50 GREATER THAN 15 INCHES.
4. A LAYER OF FILTER FABRIC (THICKNESS 20-60 MILS, GRAB STRENGTH 90-120 LBS, SHALL CONFORM TO ASTM D-1777 AND ASTM D-1822) SHALL BE PLACED BETWEEN THE RIPRAP AND THE UNDERLYING SOIL SURFACE. FILTER FABRIC SHALL HAVE A MINIMUM 1' OVERLAP AT ALL SEAMS.



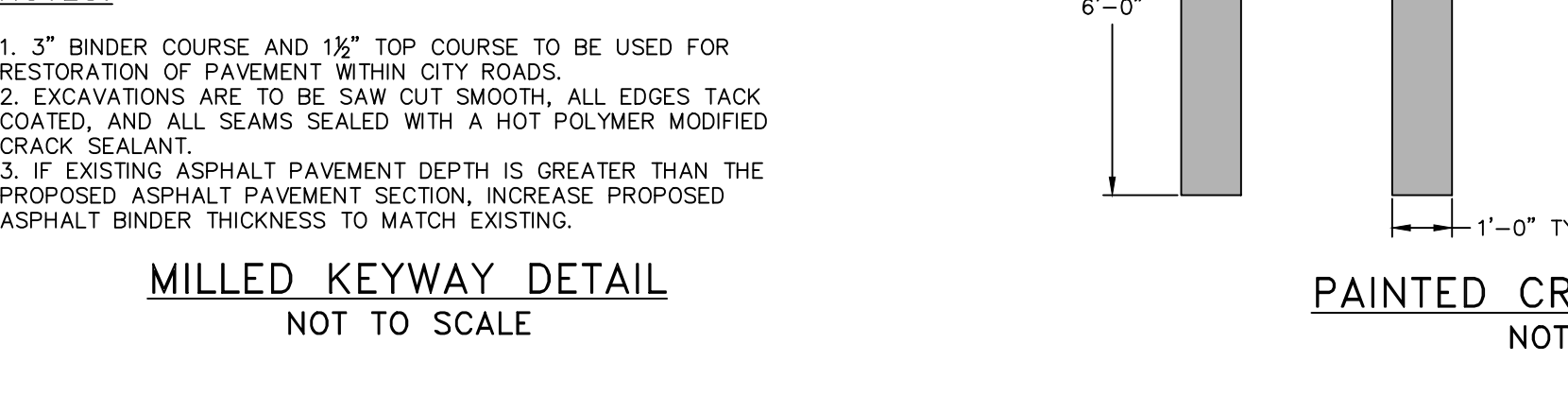
TRASH ENCLOSURE DETAILS
NOT TO SCALE



NOTES:

1. POSTS SHALL HAVE A DECORATIVE CAP, CONSISTENT WITH THE ARTS & CRAFTS STYLE, AS APPROVED BY OWNER. POST SPACING SHALL BE AS REQUIRED BY WALL CONSTRUCTION.
2. WALLS OF DUMPSTER ENCLOSURE SHALL BE A SOLID WOOD PRIVACY FENCING NATURAL STAIN OR PAINT TO COMPLEMENT BUILDING.

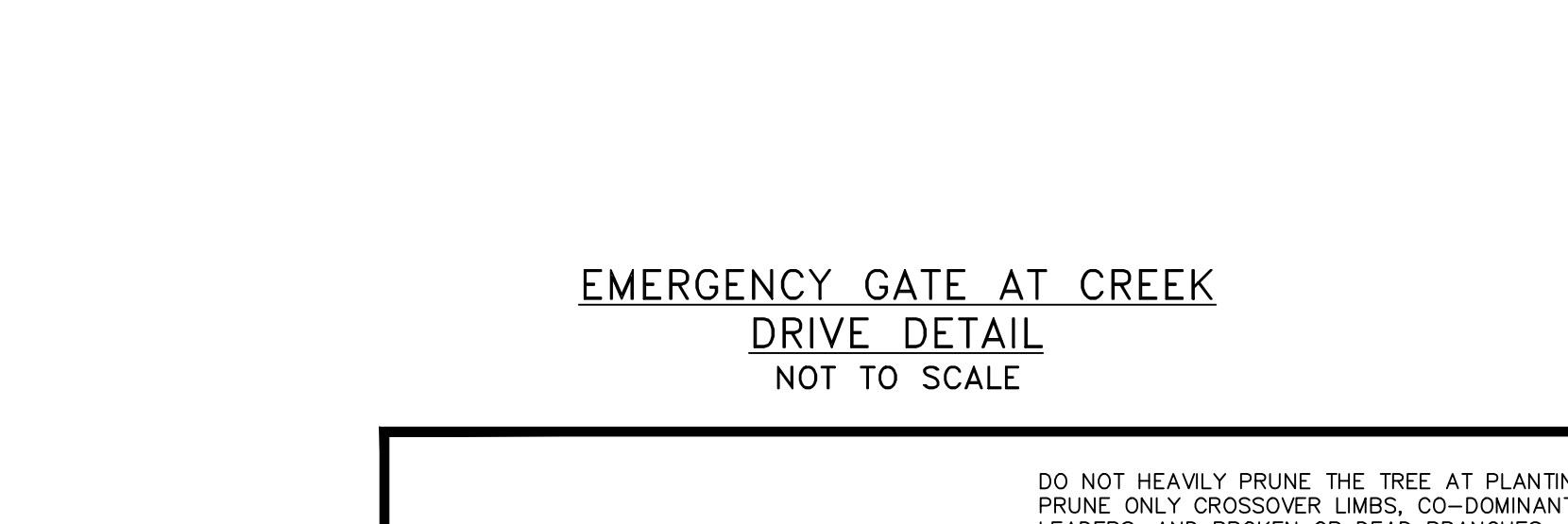
PAINTED CROSSWALK DETAIL
NOT TO SCALE



NOTES:

1. SIGN MOUNTING HEIGHT SHALL BE A MINIMUM OF 7'. MINIMUM MOUNTING HEIGHT MAY BE ADJUSTED ONLY IN ACCORDANCE WITH PROVISIONS OUTLINED IN "NYSDOT CHAPTER V-UNIFORM TRAFFIC CONTROL DEVICES".
2. SIGN POST SHALL BE IN ACCORDANCE WITH NYSDOT STANDARD SPEC SECTION 730.
3. SIGN BRACING PER NYSDOT STANDARD SHEETS.
4. SIGN POSTS WITHIN THE COUNTY RIGHT-OF-WAY SHALL BE BREAKAWAY TYPE MEETING THE REQUIREMENTS OF THE NYSDOT.

STOP BAR DETAIL
NOT TO SCALE



EMERGENCY GATE AT CREEK DRIVE DETAIL
NOT TO SCALE



DO NOT HEAVILY PRUNE THE TREE AT PLANTING. PRUNE ONLY CROSSOVER LIMBS, CO-DOMINANT LEADERS, AND BROKEN OR DEAD BRANCHES. SOME INTERIOR TWIGS AND LATERAL BRANCHES MAY BE PRUNED, HOWEVER, DO NOT REMOVE THE TERMINAL BUDS OF BRANCHES THAT EXTEND TO THE EDGE OF THE CROWN.

STAKE TREES ONLY UPON THE APPROVAL OF THE LANDSCAPE DESIGNER.

WRAP TREE TRUNKS ONLY UPON THE APPROVAL OF THE LANDSCAPE DESIGNER.

MARK THE NORTH SIDE OF THE TREE IN THE NURSERY, AND ROTATE TREE TO FACE NORTH AT THE SITE.

TREE SHALL BEAR SAME RELATION TO GRADE AS IT BORE TO ITS PREVIOUSLY EXISTING GRADE. PLANT TREE 2'-3" IN ABOVE DESIRED GRADE TO ALLOW FOR SOME SETTLING.

2 IN. MULCH. DO NOT PLACE MULCH IN CONTACT WITH TREE TRUNK. MAINTAIN THE MULCH WEED-FREE FOR A MINIMUM OF THREE YEARS AFTER PLANTING.

1:1 SLOPE ON SIDES OF PLANTING HOLE.

FORM A SOIL SAUCER 8 IN. IN DEPTH AND FILL WITH WATER. SOON AFTER WATER HAS BEEN ABSORBED, COVER WITH MULCH.

REMOVE ALL TWINE, ROPE AND WIRE, AND BURLAP FROM TOP HALF OF ROOT BALL. IF PLANT IS SHIPPED WITH A WIRE BASKET AROUND THE ROOT BALL, CUT THE WIRE BASKET IN FOUR PLACES AND FOLD DOWN 8 IN. INTO PLANTING HOLE.

PLACE ROOTBALL ON UNEXCAVATED OR COMPACTED MOUND TO PREVENT SETTLEMENT.

MULCH RING 6 FT. DIA. MINIMUM.

PLANTING HOLE 2 X ROOT BALL DIAMETER.

SOIL PH SHALL BE TESTED. LIME SHALL BE APPLIED AS REQUIRED TO BRING SOIL PH TO 6.5.

MULCH LAYER OF HAY OR STRAW, 2 TONS PER ACRE.

EXISTING GRADE.

SEED, SEE VEGETATIVE COVER SPECIFICATIONS BELOW.

138 POUNDS PER ACRE 37% POUNDS PER ACRE 17% POUNDS PER ACRE 20% FINE FESCUE

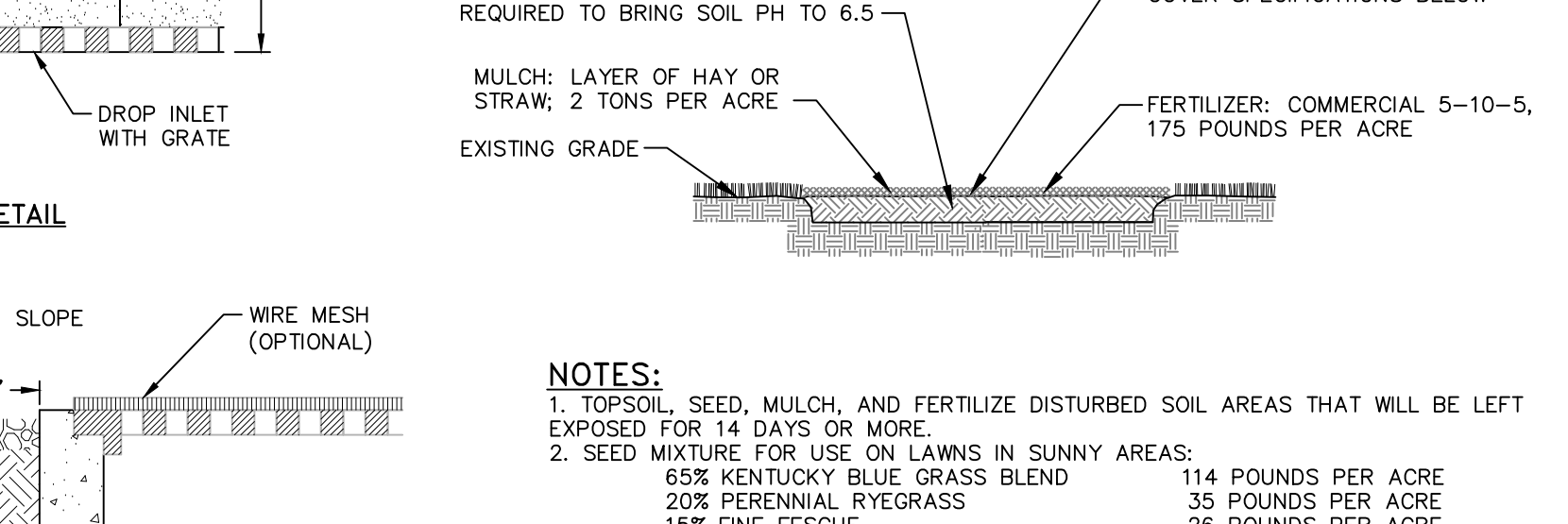
175 POUNDS PER ACRE 37% POUNDS PER ACRE 17% POUNDS PER ACRE 20% FINE FESCUE

SEED BETWEEN APRIL 1ST AND MAY 15TH OR AUGUST 15TH AND OCTOBER 15TH.

5. TOPSOIL SHALL OCCUR BETWEEN MAY 15TH AND AUGUST 15TH IF ADEQUATE IRRIGATION IS PROVIDED.

6. SEED SHALL HAVE AT LEAST 6% BY WEIGHT OF FINE TEXTURED STABLE ORGANIC MATERIAL, AND NO GREATER THAN 20% TOPSOIL. SHALL HAVE NOT LESS THAN 20% FINE TEXTURED MATERIAL (PASSING THE NO. 200 SIEVE) AND NOT MORE THAN 15% CLAY.

TOPSOIL, SEED AND MULCH DETAIL
NOT TO SCALE



NOTES:

1. TOPSOIL, SEED, MULCH, AND FERTILIZER DISTURBED SOIL AREAS THAT WILL BE LEFT EXPOSED FOR 14 DAYS OR MORE.
2. SEED MIXTURE FOR USE ON LAWNS IN SUNNY AREAS: 14 POUNDS PER ACRE 35 POUNDS PER ACRE 26 POUNDS PER ACRE 175 POUNDS PER ACRE 20% FINE FESCUE
3. SEED MIXTURE FOR USE IN SHADY AREAS: 80% BLEND OF SHADE TOLERANT KENTUCKY BLUEGRASS 20% FINE FESCUE
4. SEED BETWEEN APRIL 1ST AND MAY 15TH OR AUGUST 15TH AND OCTOBER 15TH.
5. TOPSOIL SHALL OCCUR BETWEEN MAY 15TH AND AUGUST 15TH IF ADEQUATE IRRIGATION IS PROVIDED.
6. SEED SHALL HAVE AT LEAST 6% BY WEIGHT OF FINE TEXTURED STABLE ORGANIC MATERIAL, AND NO GREATER THAN 20% TOPSOIL. SHALL HAVE NOT LESS THAN 20% FINE TEXTURED MATERIAL (PASSING THE NO. 200 SIEVE) AND NOT MORE THAN 15% CLAY.



NOTES:

1. AREA CHOSEN FOR STOCKPILING OPERATIONS SHALL BE DRY AND STABLE.
2. EACH PILE SHALL BE SURROUNDED WITH SILT FENCING, THEN STABILIZED WITH VEGETATION OR COVERED.

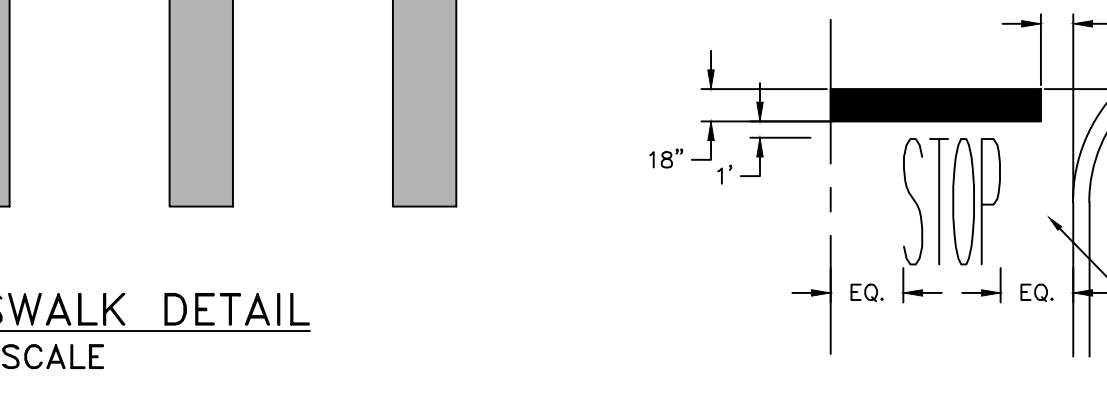
TYPICAL REDI-ROCK GRAVITY WALL
NOT TO SCALE



NOTES:

1. RETAINING WALL MANUFACTURED BY RECI-ROCK OR APPROVED EQUAL.
2. THIS DETAIL FOR SITE PLAN APPROVAL ONLY TO SHOW GENERAL WALL ASSEMBLY. FINAL DESIGN DOCUMENTS SHALL BE PROVIDED TO THE CITY OF BEACON FOR REVIEW PRIOR TO CONSTRUCTION.

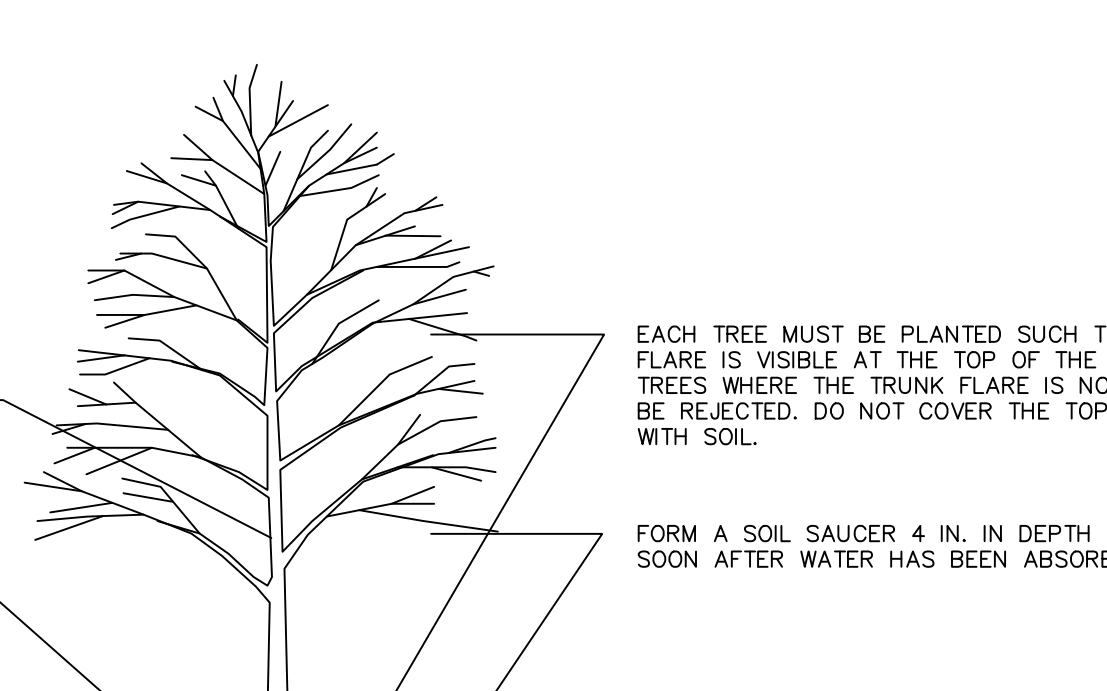
STOP SIGN DETAIL
NOT TO SCALE



NOTES:

1. SIGN MOUNTING HEIGHT SHALL BE A MINIMUM OF 7'. MINIMUM MOUNTING HEIGHT MAY BE ADJUSTED ONLY IN ACCORDANCE WITH PROVISIONS OUTLINED IN "NYSDOT CHAPTER V-UNIFORM TRAFFIC CONTROL DEVICES".
2. SIGN POST SHALL BE IN ACCORDANCE WITH NYSDOT STANDARD SPEC SECTION 730.
3. SIGN BRACING PER NYSDOT STANDARD SHEETS.
4. SIGN POSTS WITHIN THE COUNTY RIGHT-OF-WAY SHALL BE BREAKAWAY TYPE MEETING THE REQUIREMENTS OF THE NYSDOT.

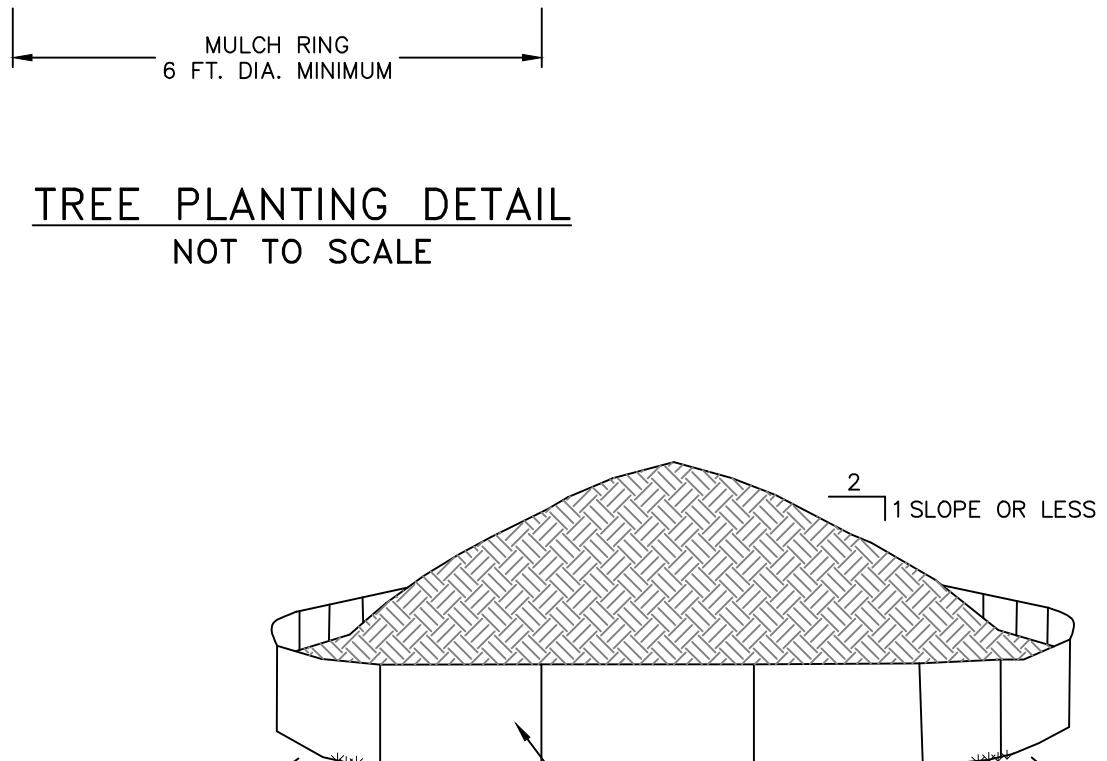
SINGLE POST SIGN DETAIL
NOT TO SCALE



NOTE:

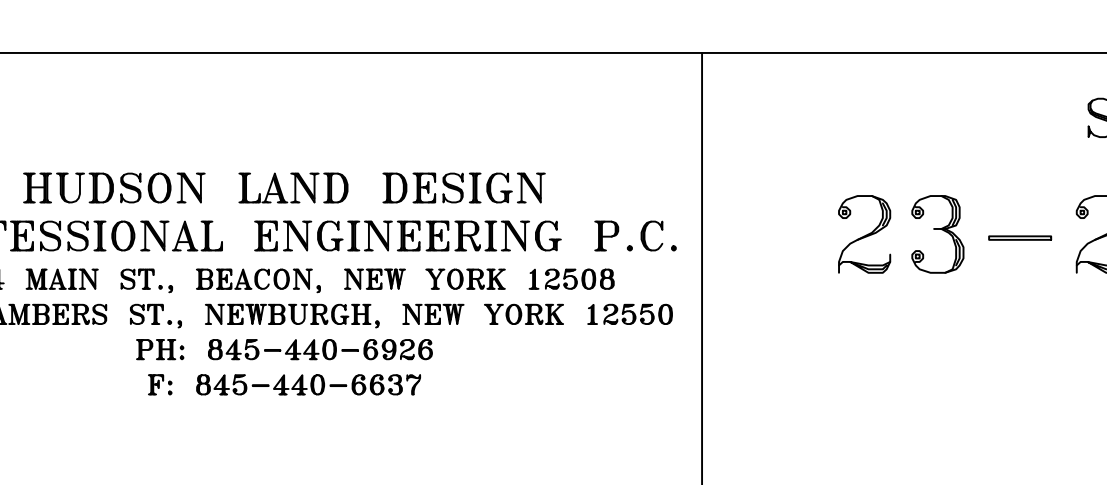
1. WATER PER NURSERY SPECIFICATIONS IMMEDIATELY FOLLOWING PLANTING.
2. DETAIL IS FOR BOTH BALL & BURLAPPED OR CONTAINERED SHRUBS.

SHRUB PLANTING DETAIL
NOT TO SCALE



NOTES:

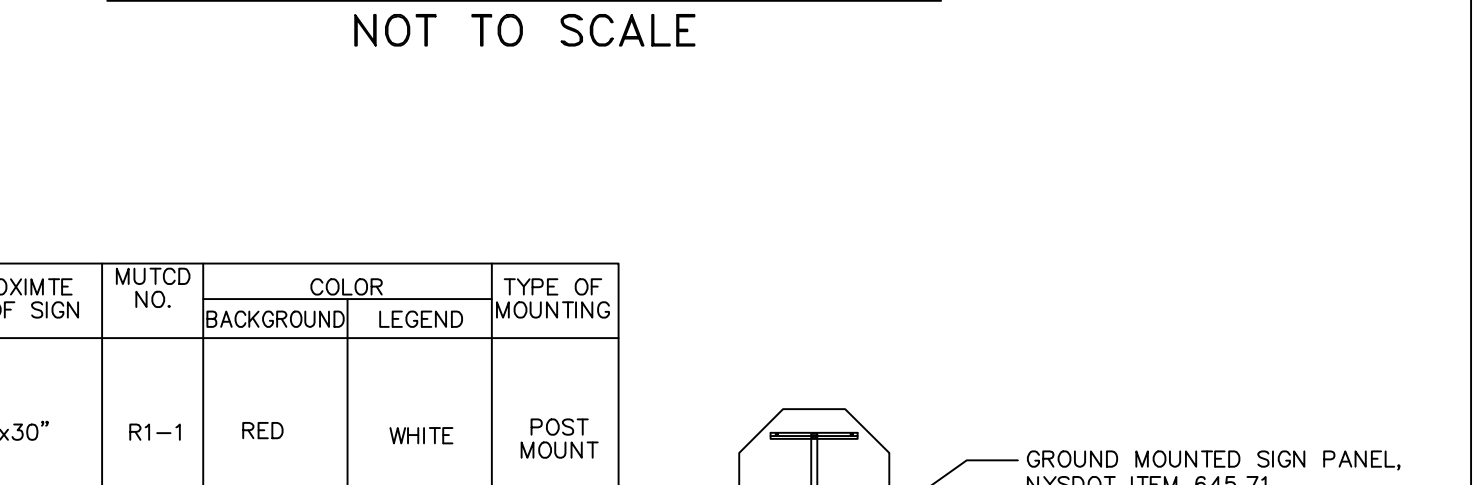
1. TREES TO REMAIN NOTED ON EXISTING CONDITIONS PLAN.
2. NOT ALL TREES TO REMAIN REQUIRE PROTECTION. TREE PROTECTION TO BE UTILIZED ON TREES WHERE CONSTRUCTION TRAFFIC WOULD COMPROMISE THE ROOT ZONE OF THE TREE.



NOTES:

1. AREA CHOSEN FOR STOCKPILING OPERATIONS SHALL BE DRY AND STABLE.
2. EACH PILE SHALL BE SURROUNDED WITH SILT FENCING, THEN STABILIZED WITH VEGETATION OR COVERED.

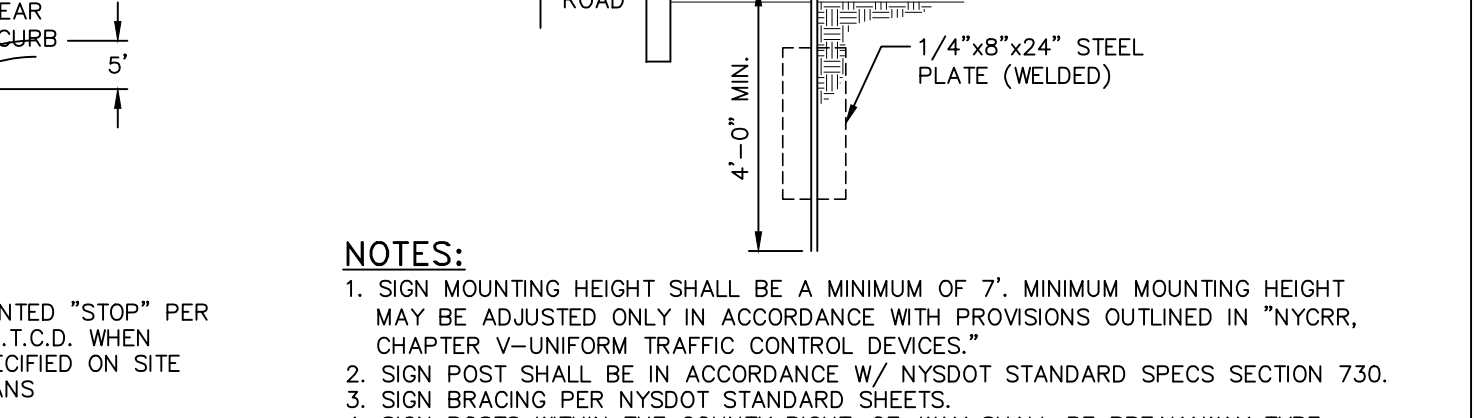
STOP SIGN DETAIL
NOT TO SCALE



NOTES:

1. SIGN MOUNTING HEIGHT SHALL BE A MINIMUM OF 7'. MINIMUM MOUNTING HEIGHT MAY BE ADJUSTED ONLY IN ACCORDANCE WITH PROVISIONS OUTLINED IN "NYSDOT CHAPTER V-UNIFORM TRAFFIC CONTROL DEVICES".
2. SIGN POST SHALL BE IN ACCORDANCE WITH NYSDOT STANDARD SPEC SECTION 730.
3. SIGN BRACING PER NYSDOT STANDARD SHEETS.
4. SIGN POSTS WITHIN THE COUNTY RIGHT-OF-WAY SHALL BE BREAKAWAY TYPE MEETING THE REQUIREMENTS OF THE NYSDOT.

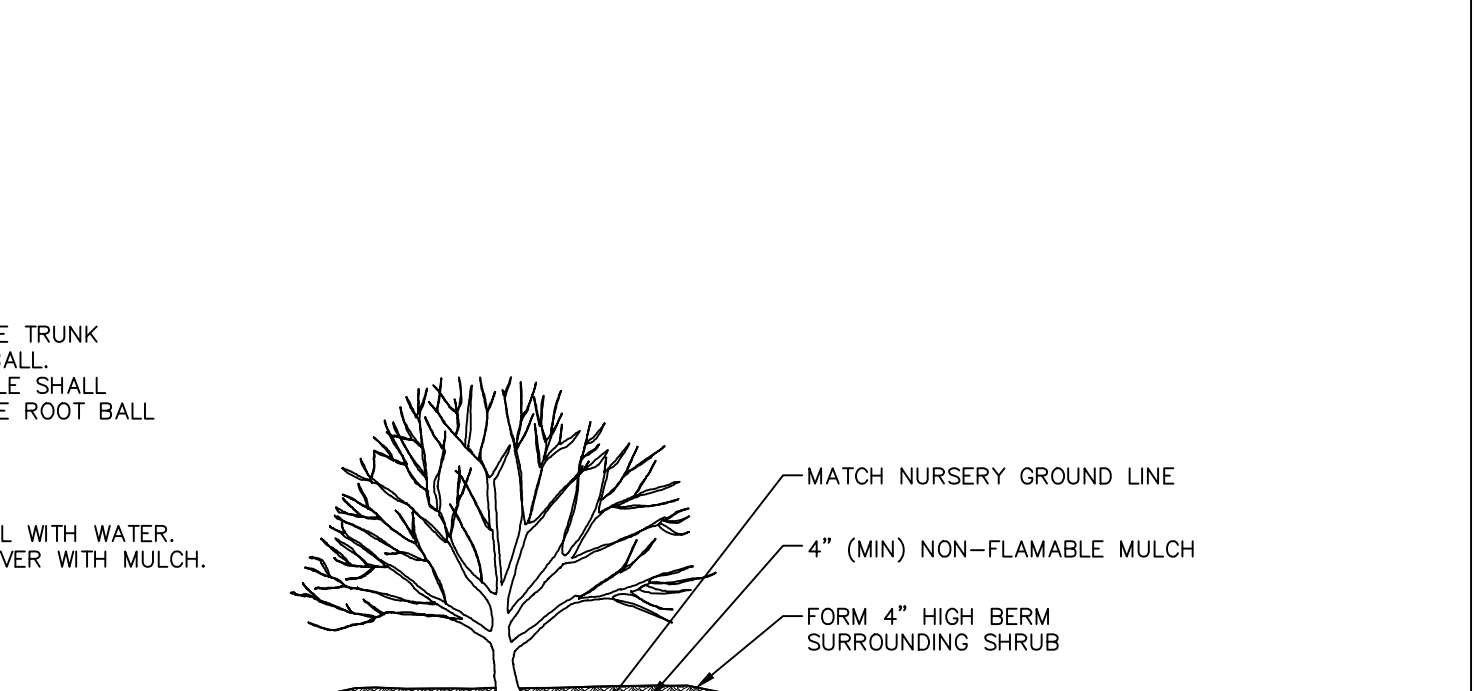
SINGLE POST SIGN DETAIL
NOT TO SCALE



NOTES:

1. TREES TO REMAIN NOTED ON EXISTING CONDITIONS PLAN.
2. NOT ALL TREES TO REMAIN REQUIRE PROTECTION. TREE PROTECTION TO BE UTILIZED ON TREES WHERE CONSTRUCTION TRAFFIC WOULD COMPROMISE THE ROOT ZONE OF THE TREE.

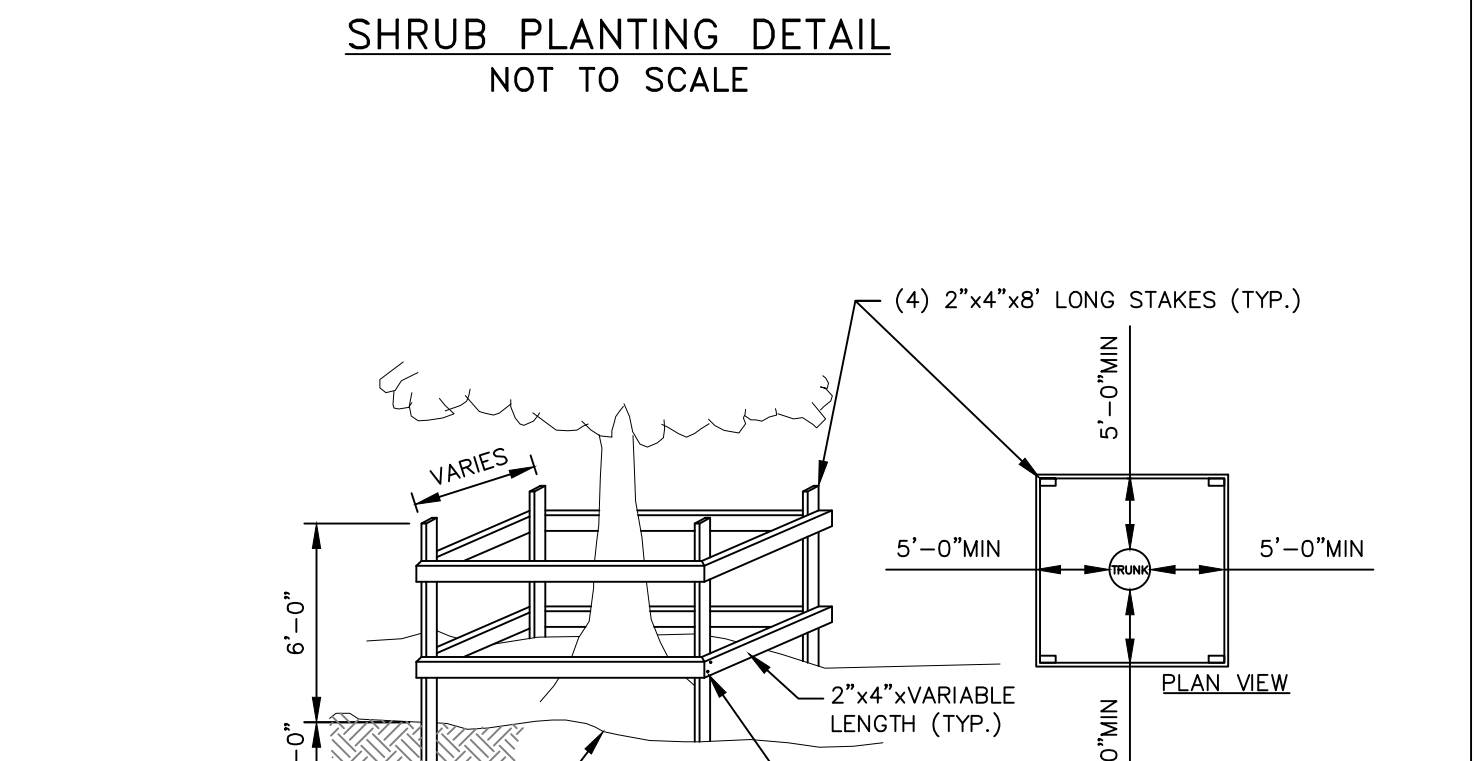
TEMPORARY TREE PROTECTION DETAIL
NOT TO SCALE



NOTES:

1. AREA CHOSEN FOR STOCKPILING OPERATIONS SHALL BE DRY AND STABLE.
2. EACH PILE SHALL BE SURROUNDED WITH SILT FENCING, THEN STABILIZED WITH VEGETATION OR COVERED.

TOPSOIL, SEED AND MULCH DETAIL
NOT TO SCALE



NOTES:

1. TOPSOIL, SEED, MULCH, AND FERTILIZER DISTURBED SOIL AREAS THAT WILL BE LEFT EXPOSED FOR 14 DAYS OR MORE.
2. SEED MIXTURE FOR USE ON LAWNS IN SUNNY AREAS: 14 POUNDS PER ACRE 35 POUNDS PER ACRE 26 POUNDS PER ACRE 175 POUNDS PER ACRE 20% FINE FESCUE
3. SEED MIXTURE FOR USE IN SHADY AREAS: 80% BLEND OF SHADE TOLERANT KENTUCKY BLUEGRASS 20% FINE FESCUE
4. SEED BETWEEN APRIL 1ST AND MAY 15TH OR AUGUST 15TH AND OCTOBER 15TH.
5. TOPSOIL SHALL OCCUR BETWEEN MAY 15TH AND AUGUST 15TH IF ADEQUATE IRRIGATION IS PROVIDED.
6. SEED SHALL HAVE AT LEAST 6% BY WEIGHT OF FINE TEXTURED STABLE ORGANIC MATERIAL, AND NO GREATER THAN 20% TOPSOIL. SHALL HAVE NOT LESS THAN 20% FINE TEXTURED MATERIAL (PASSING THE NO. 200 SIEVE) AND NOT MORE THAN 15% CLAY.



NOTES:

1. AREA CHOSEN FOR STOCKPILING OPERATIONS SHALL BE DRY AND STABLE.
2. EACH PILE SHALL BE SURROUNDED WITH SILT FENCING, THEN STABILIZED WITH VEGETATION OR COVERED.

Dig Safely
New York
800-962-7962
www.digsafely.com

HUDSON
LAND DESIGN



HUDSON LAND DESIGN
PROFESSIONAL ENGINEERING P.C.
174 MAIN ST., BEACON, NEW YORK 12508
13 CHAMBERS ST., NEWBURGH, NEW YORK 12550
TEL: 845-440-6926
F: 845-440-6637

SITE AND E&SC DETAILS
23-28 CREEK DRIVE
23-28 CREEK ROAD
CITY OF BEACON
DUTCH COUNTY, NEW YORK
TAX ID: 6054-37-037825

JOB #: 2018-029
DATE: 10/23/2018
SCALE: AS SHOWN
TITLE: D-1
SHEET: 10 OF 12

UNAUTHORIZED ALTERATIONS OR ADDITIONS TO THIS DRAWING IS A VIOLATION OF SECTION 2209.2 OF THE NEW YORK EDUCATION LAW