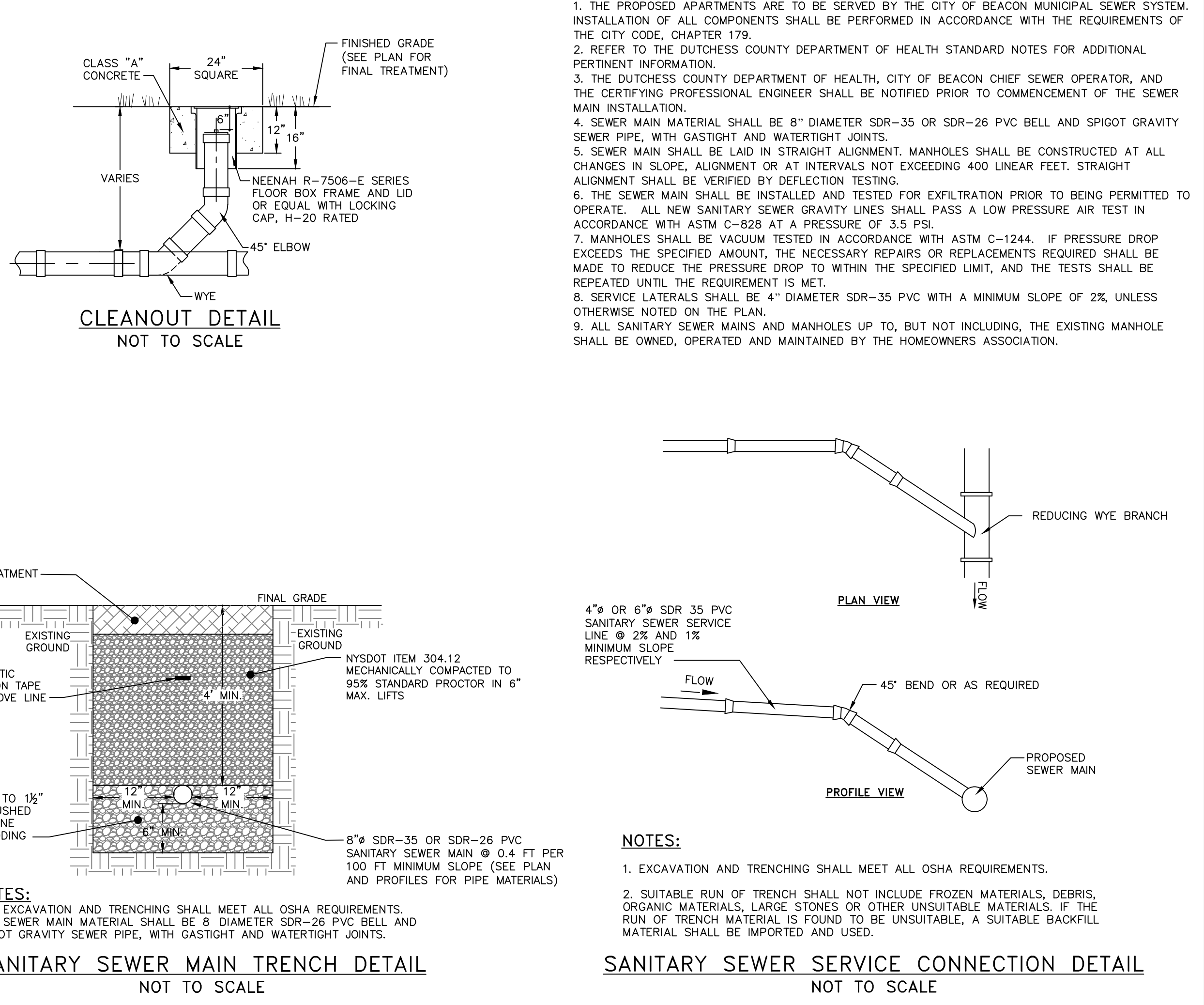
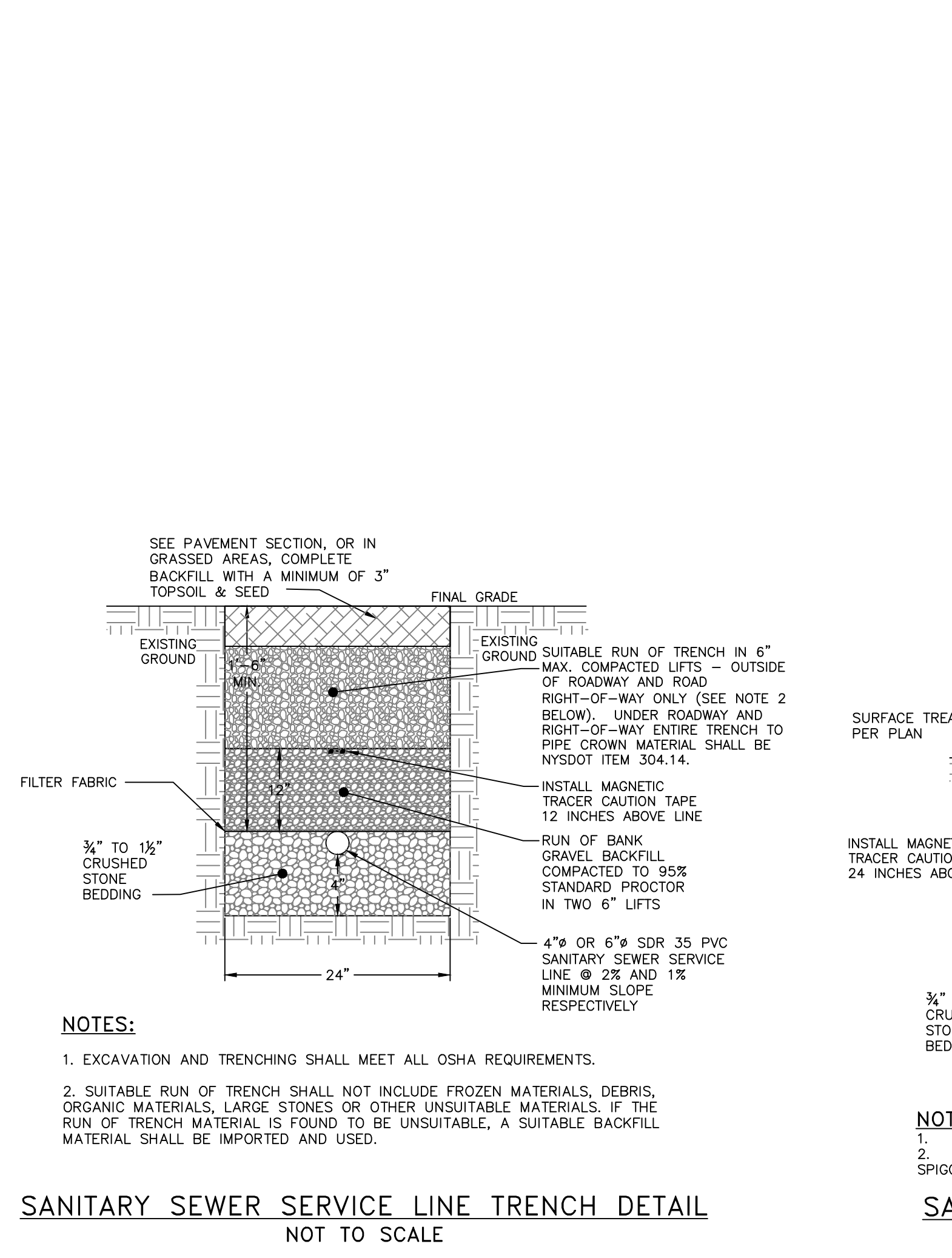
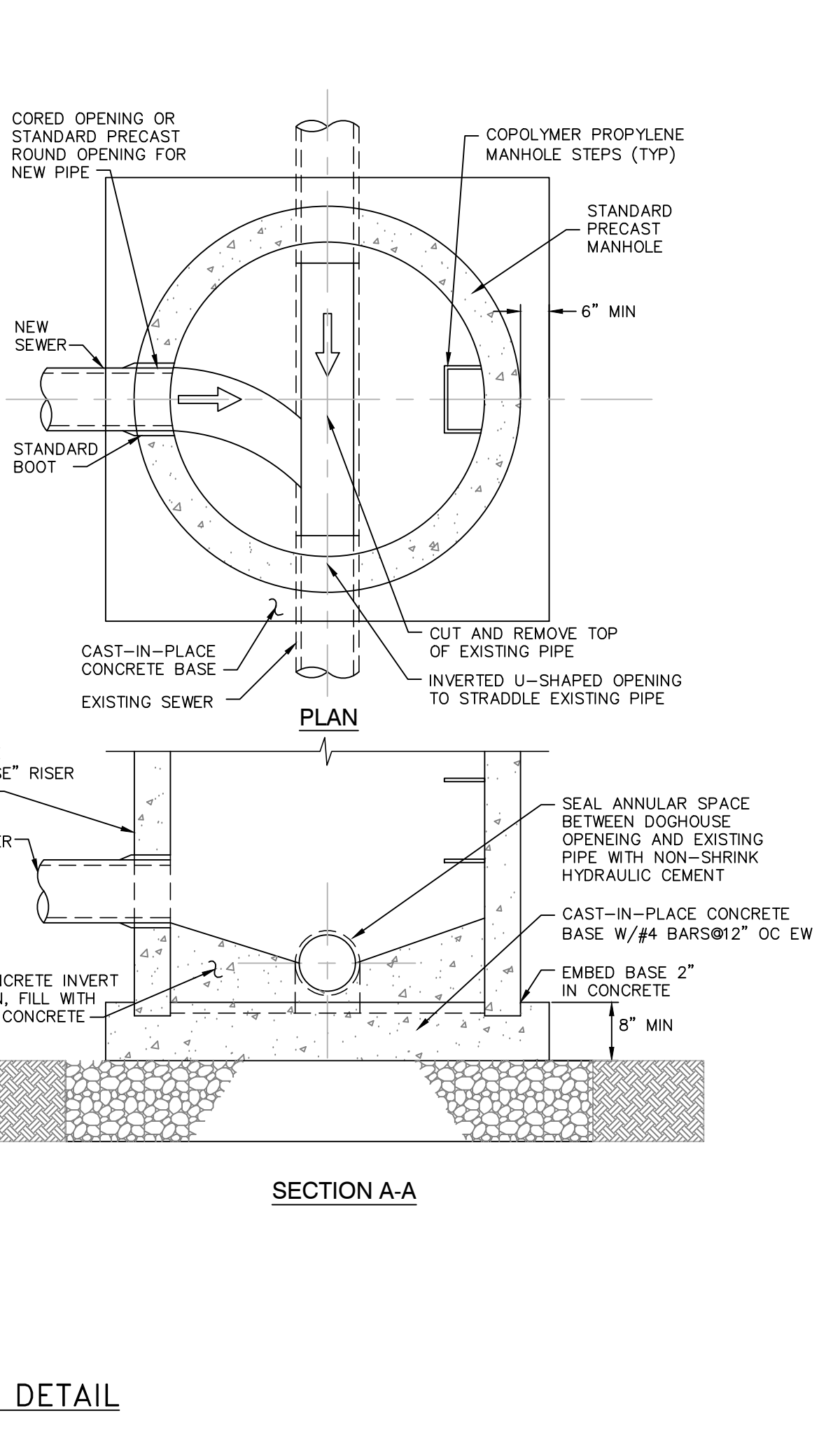
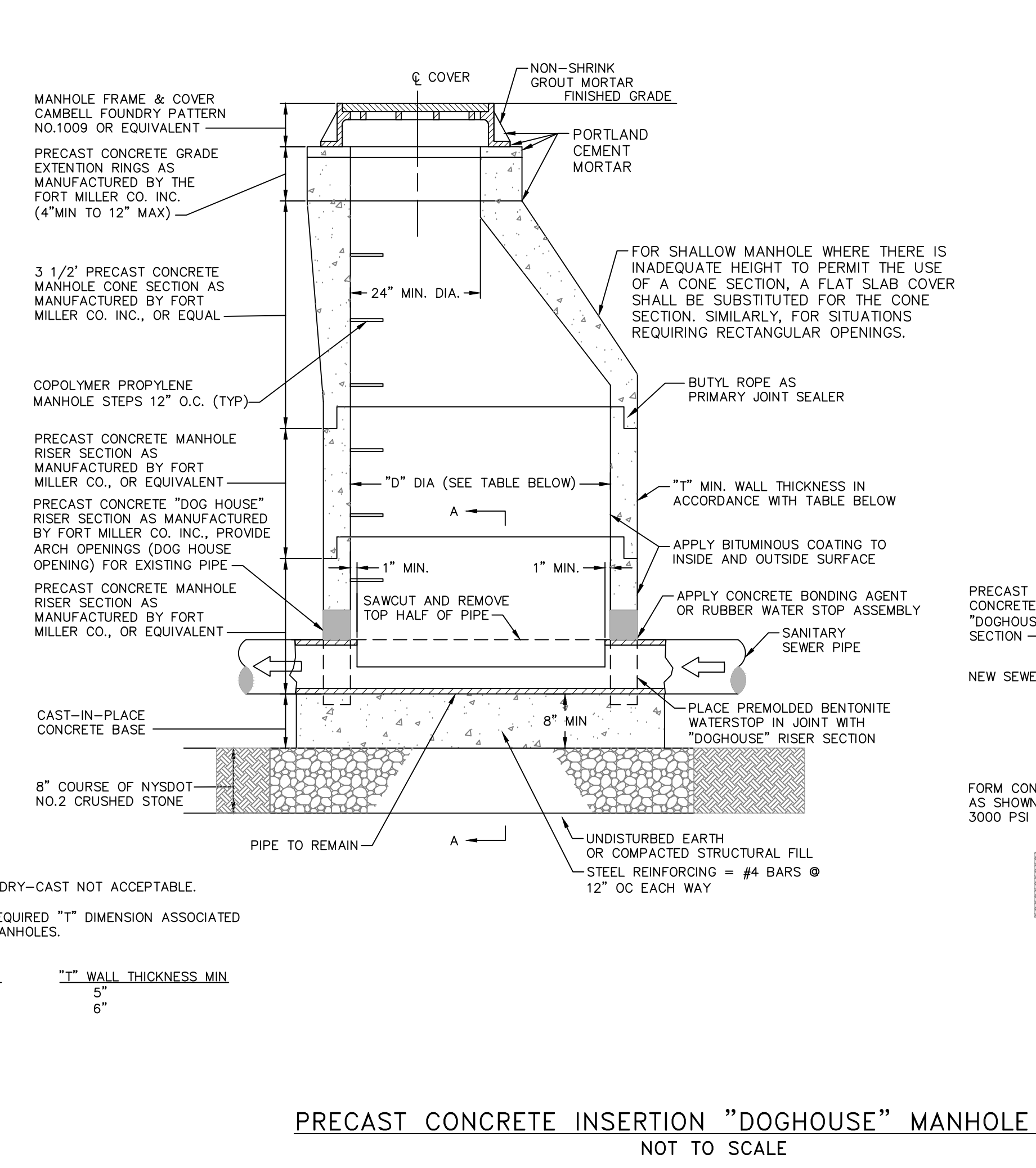
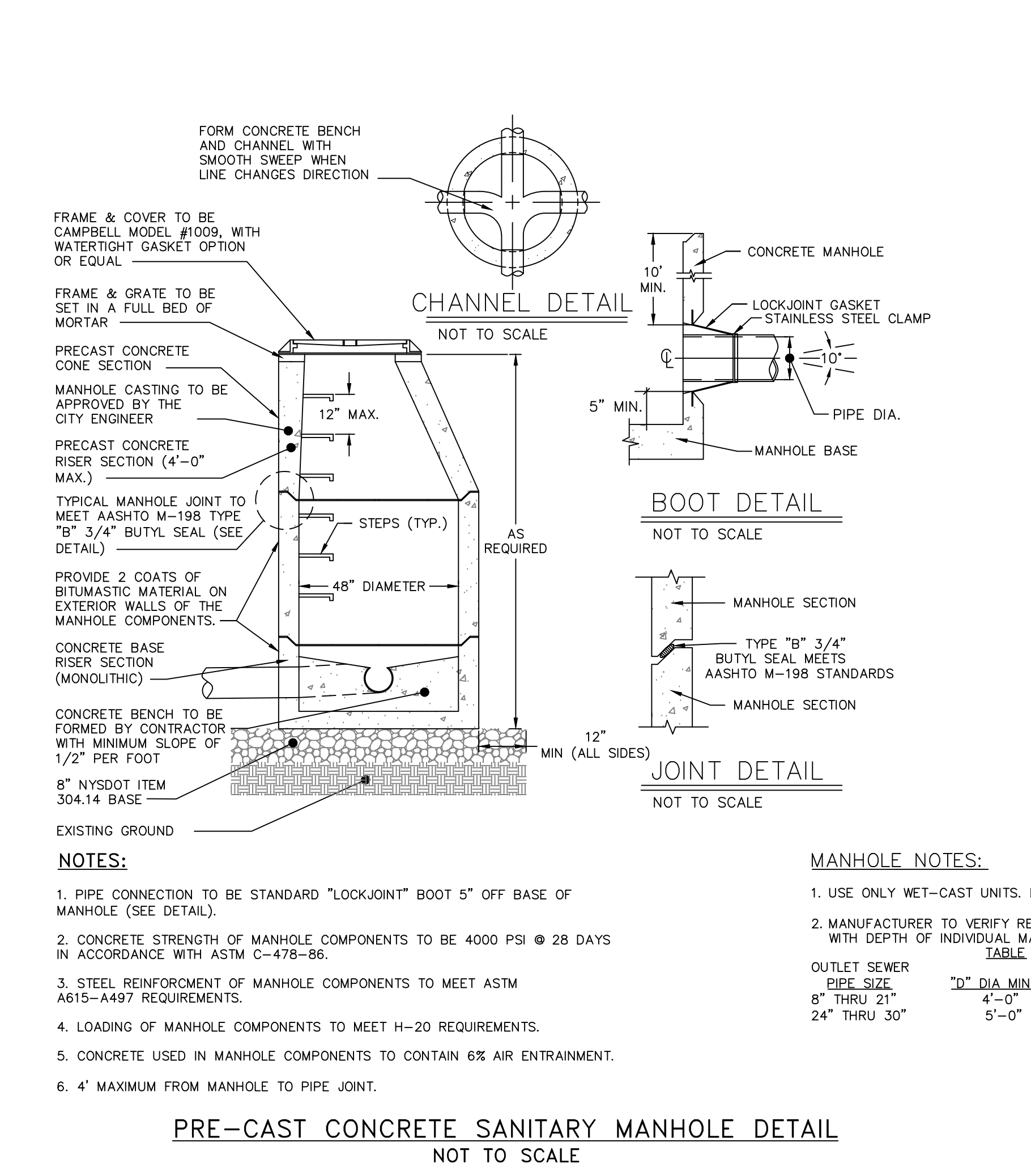
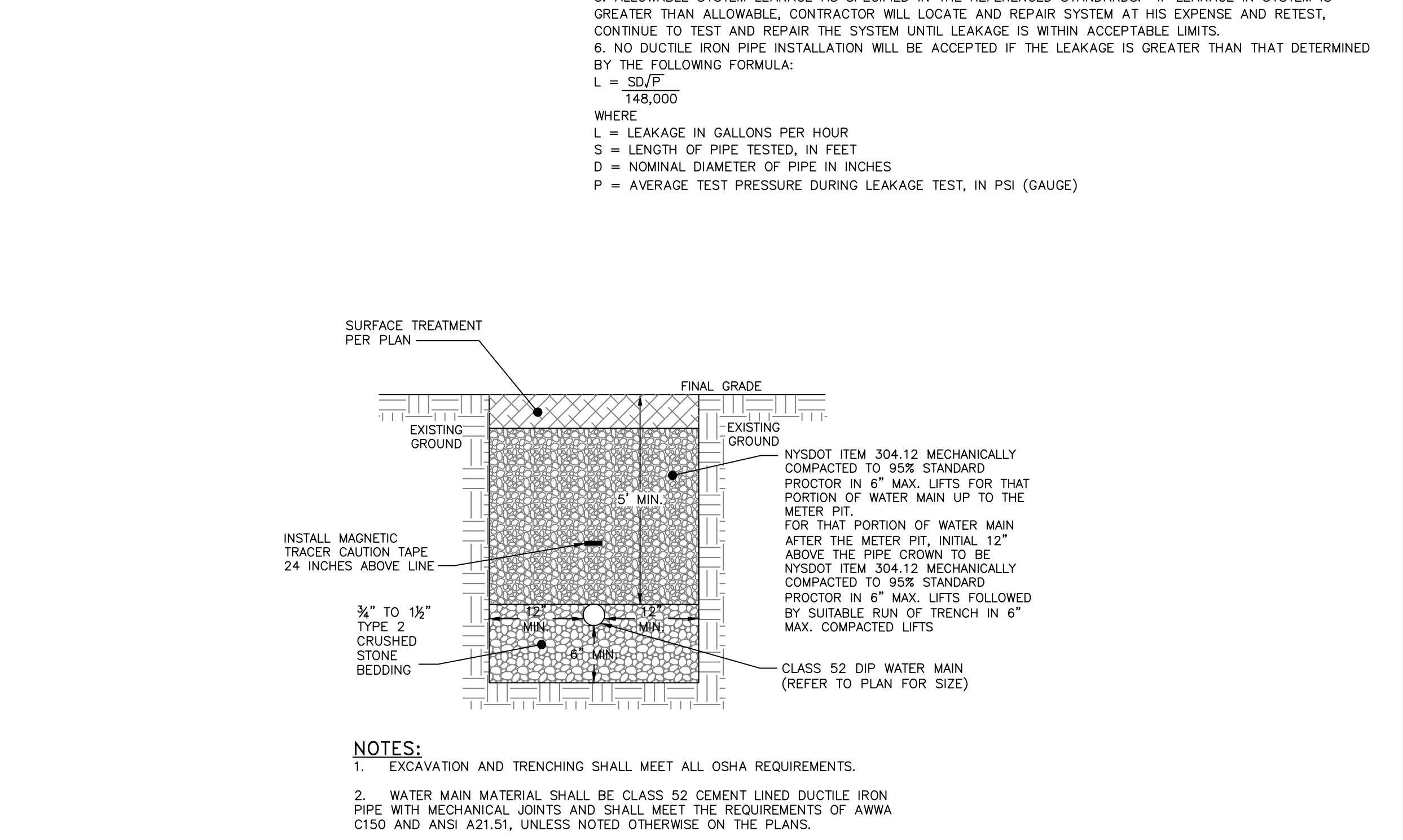
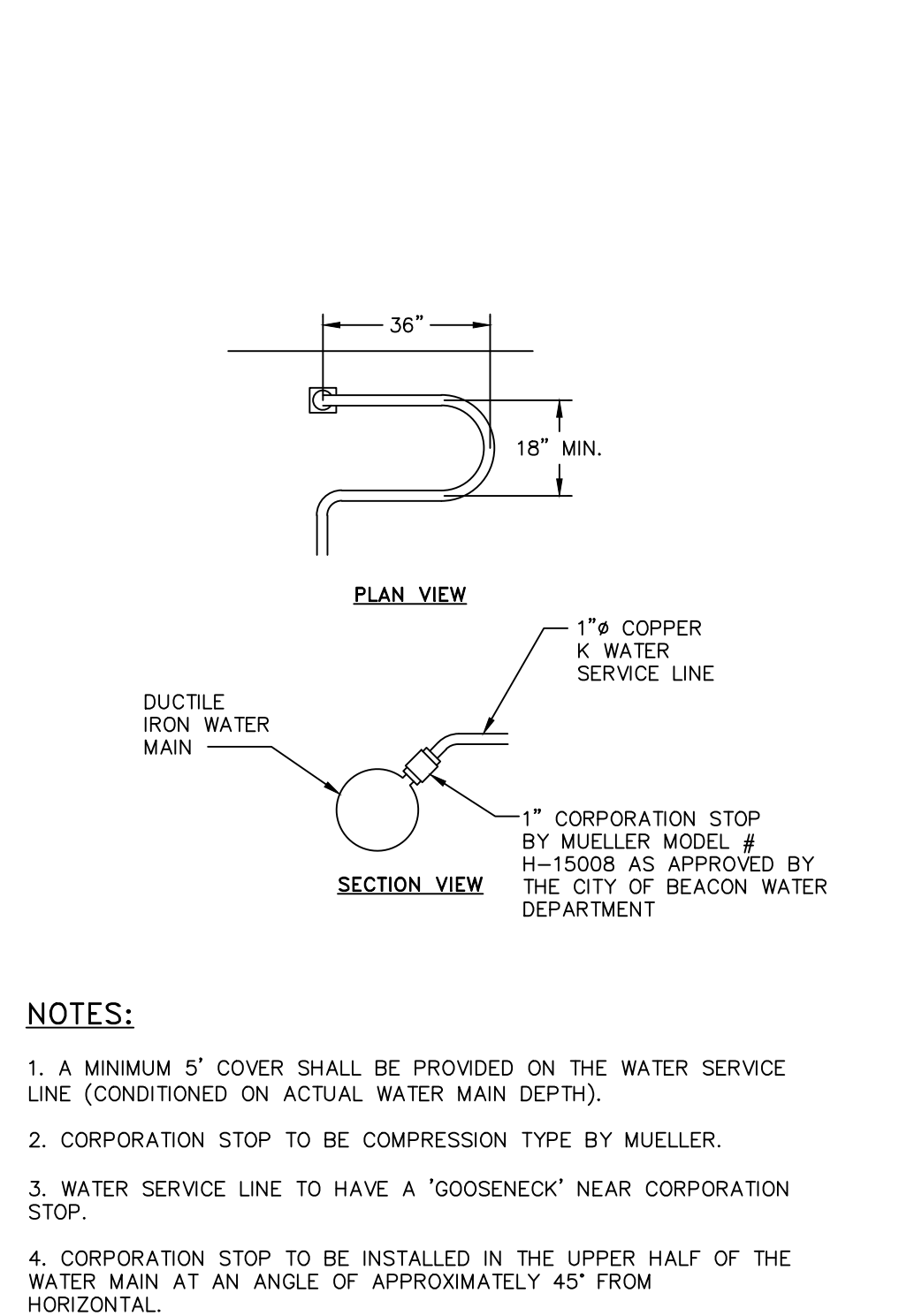
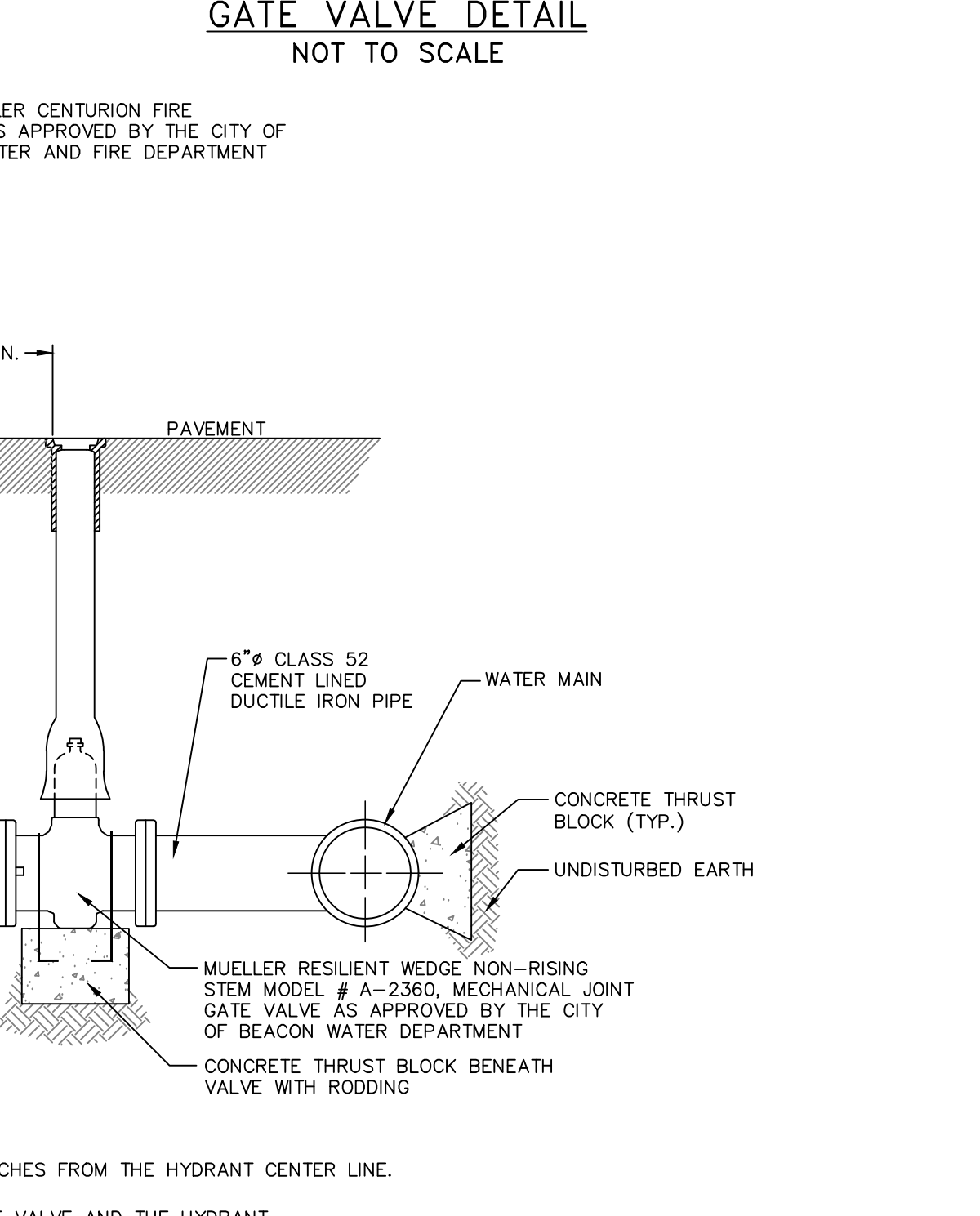
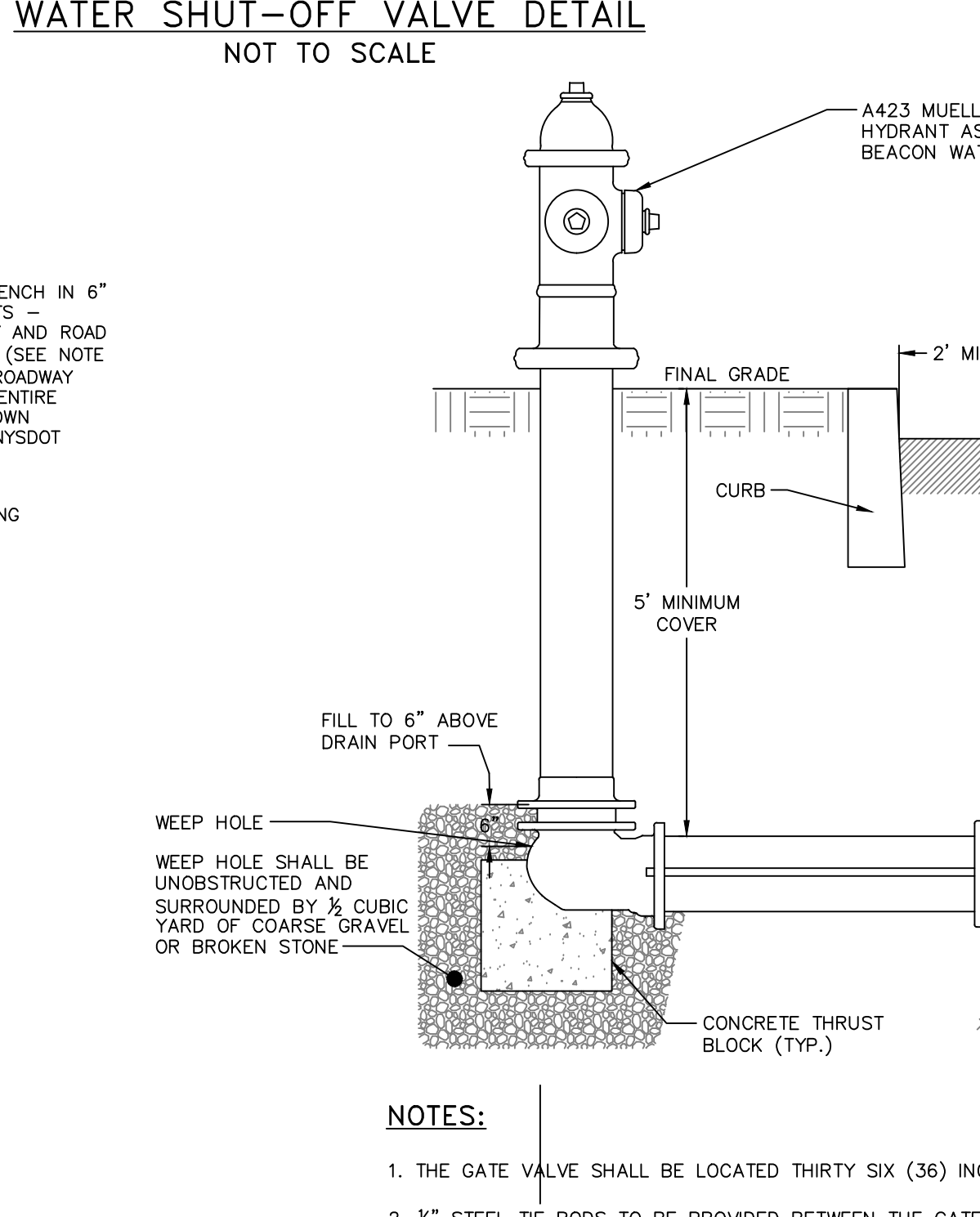
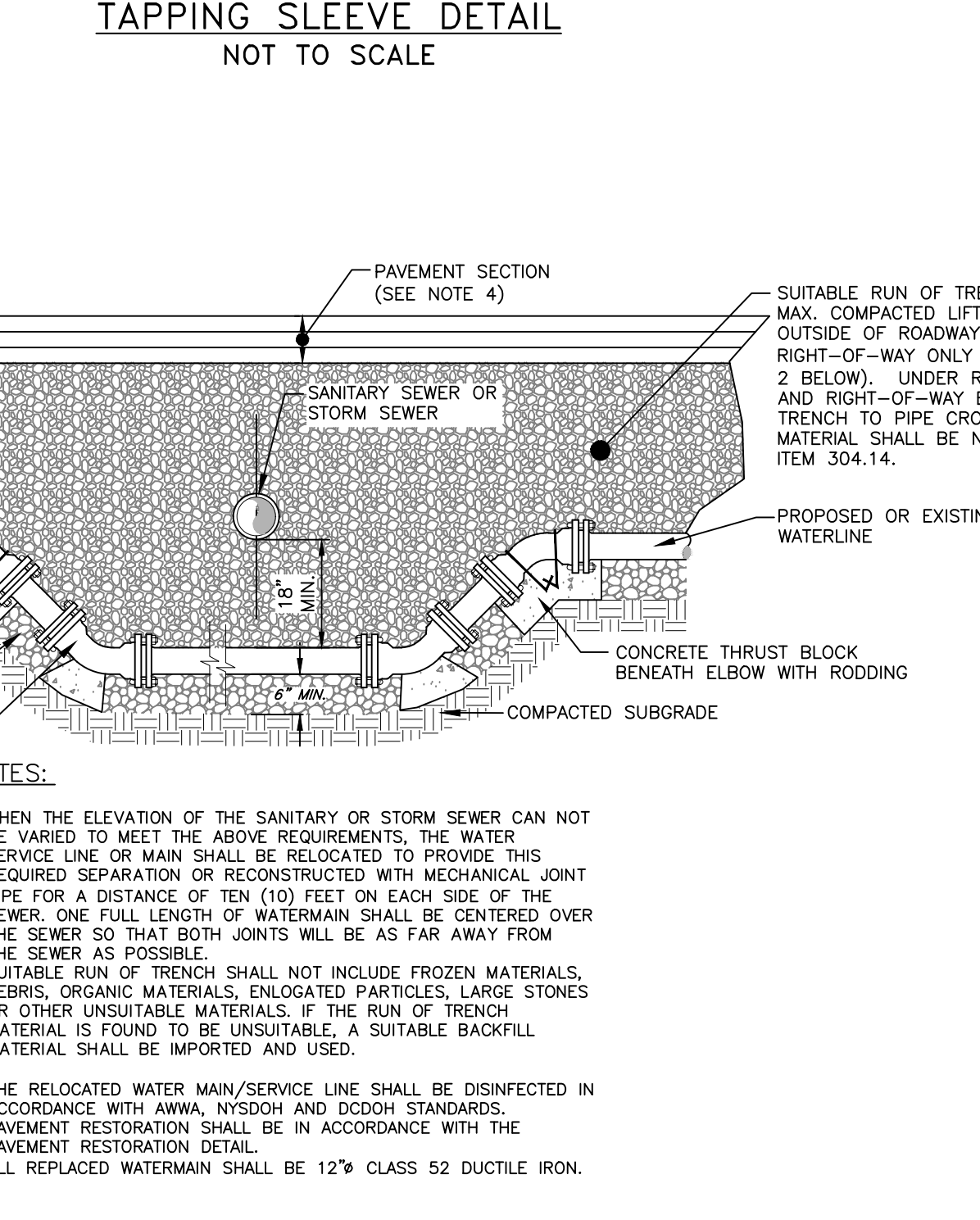
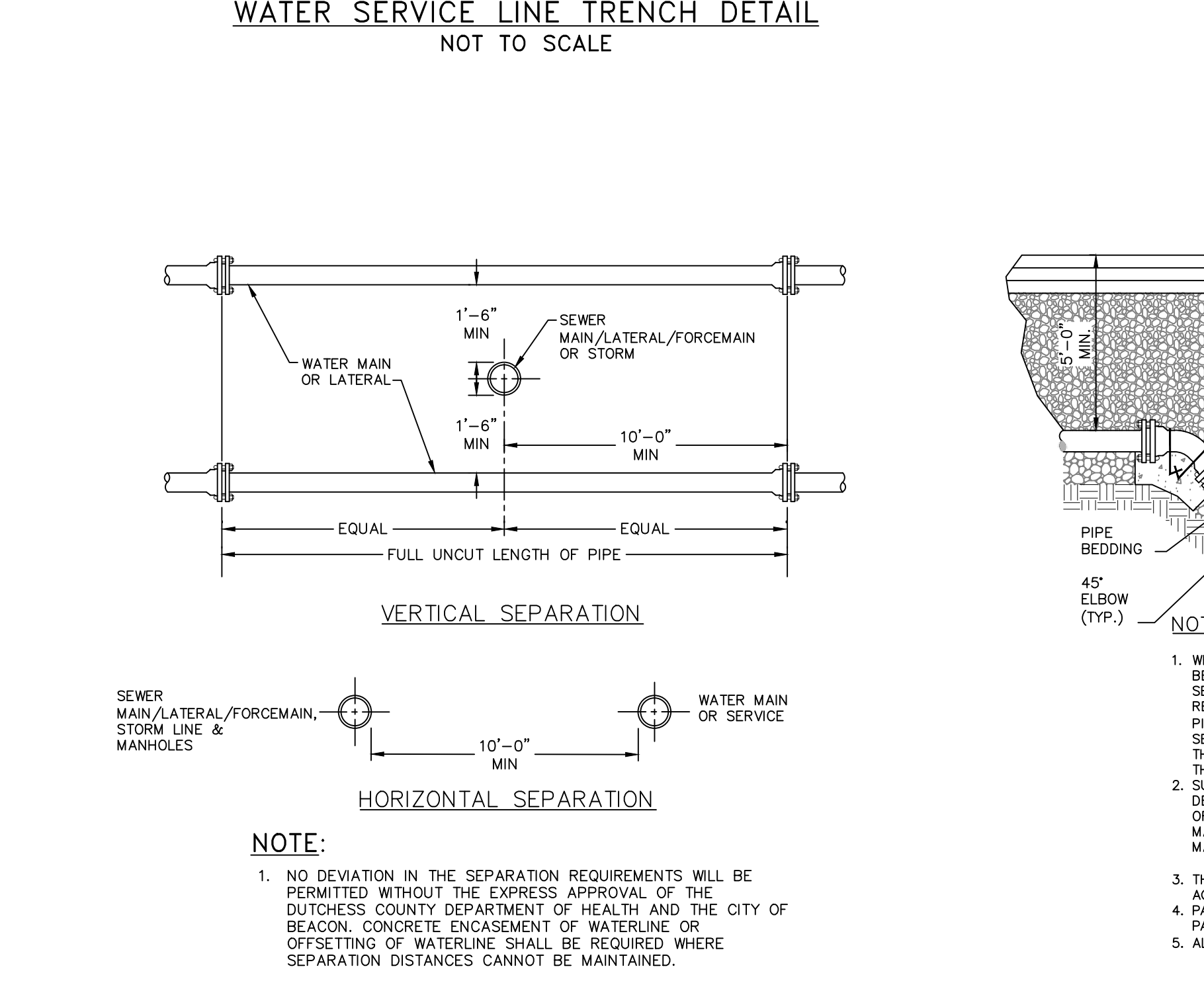
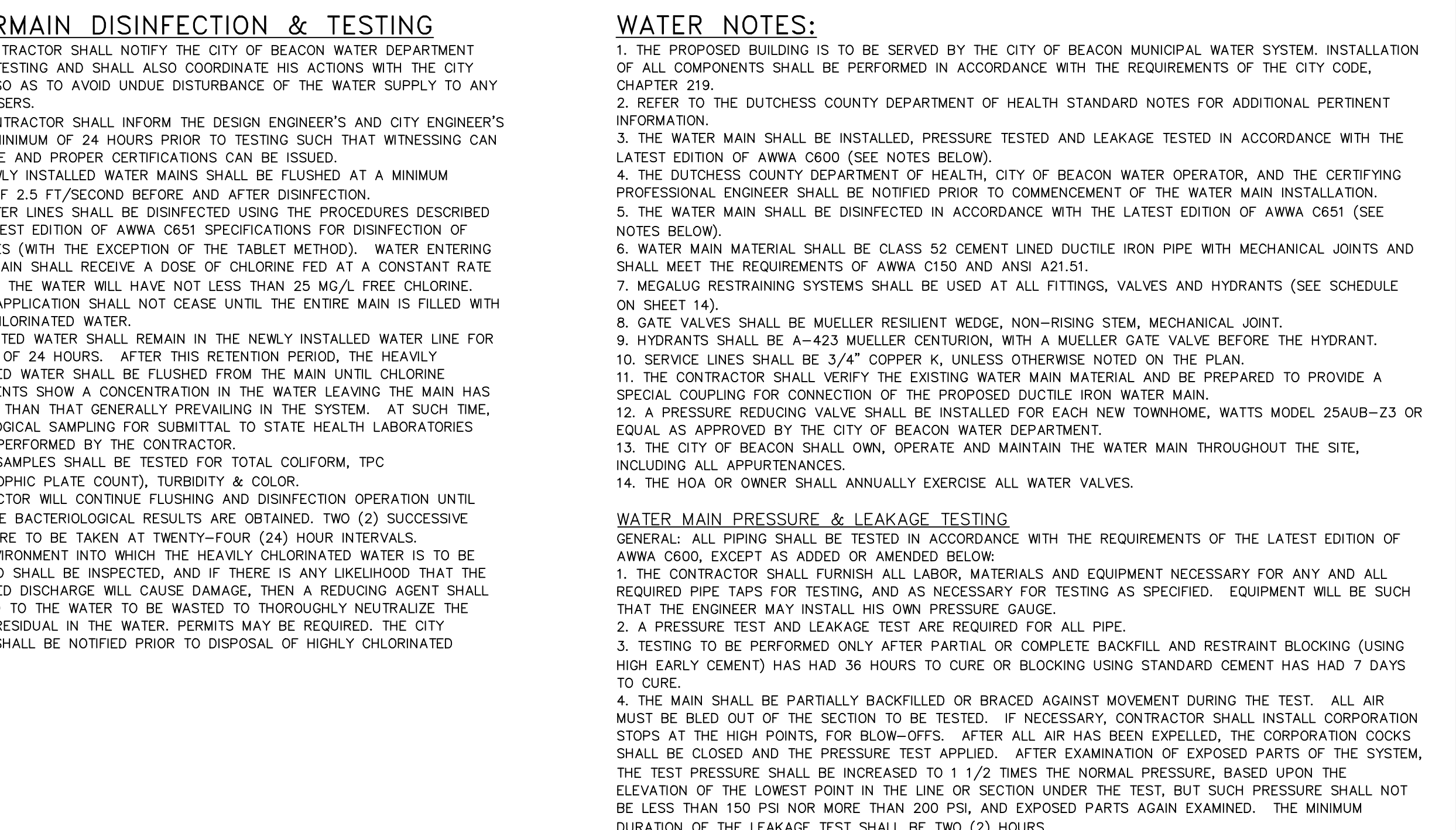
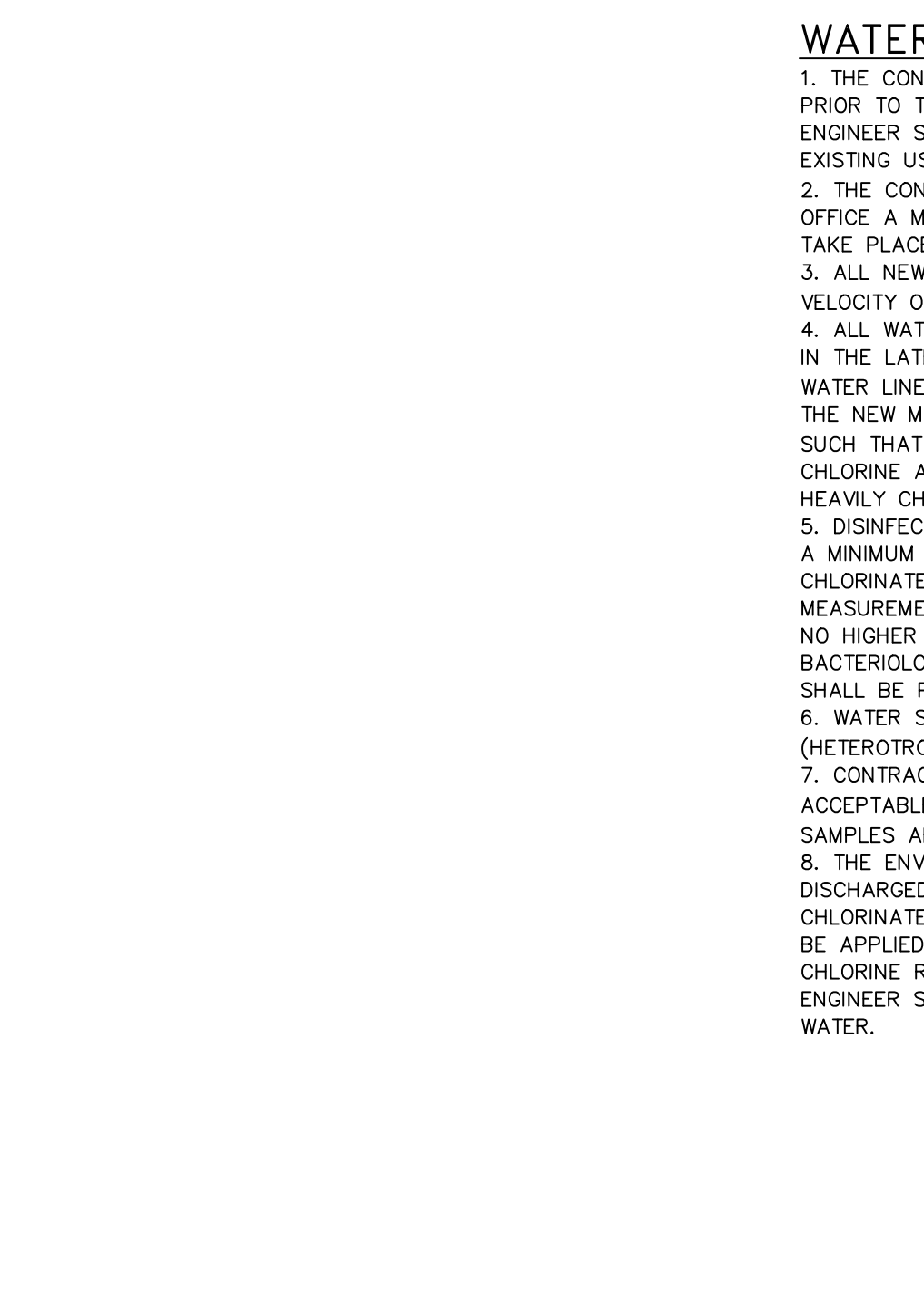
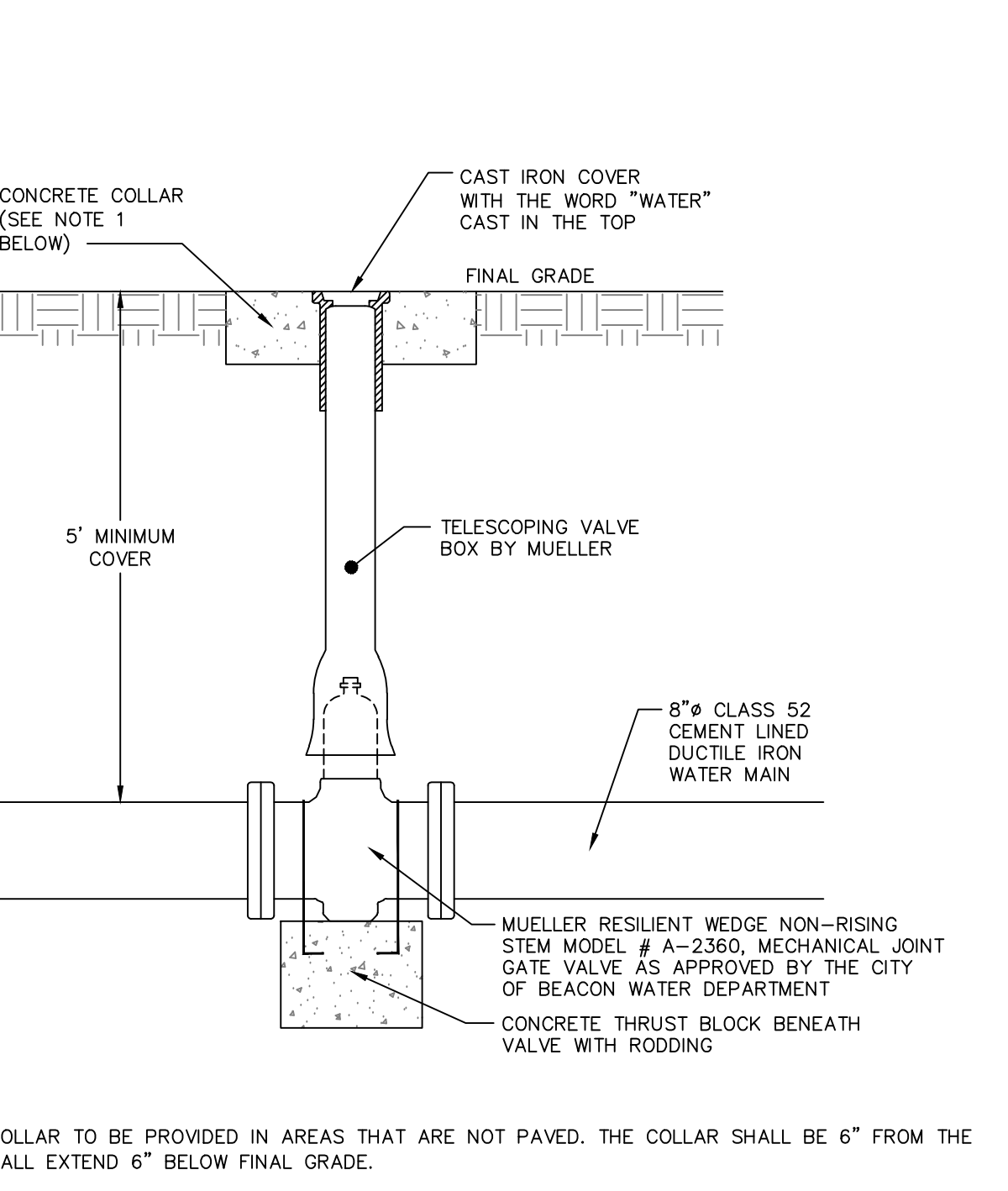
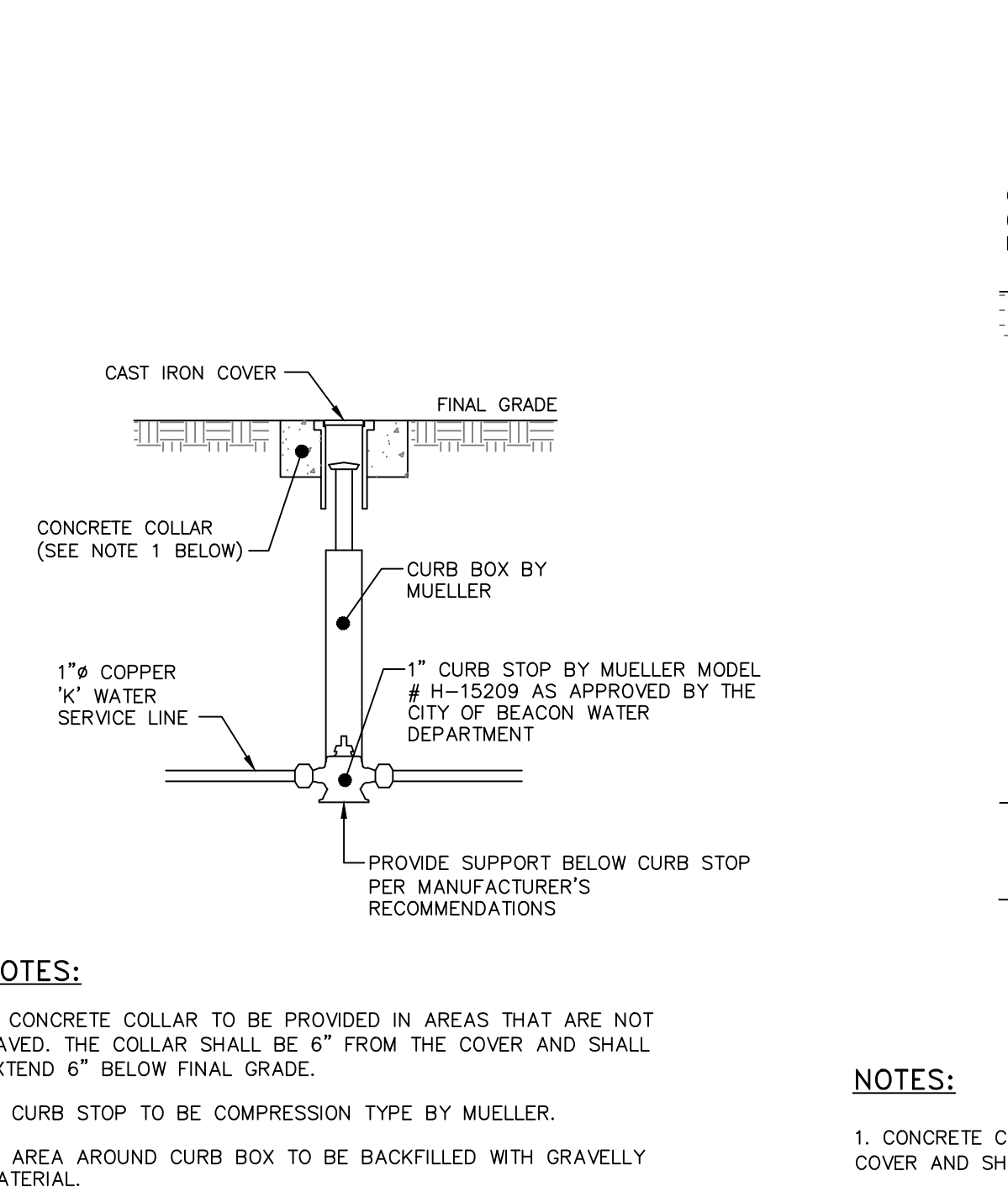
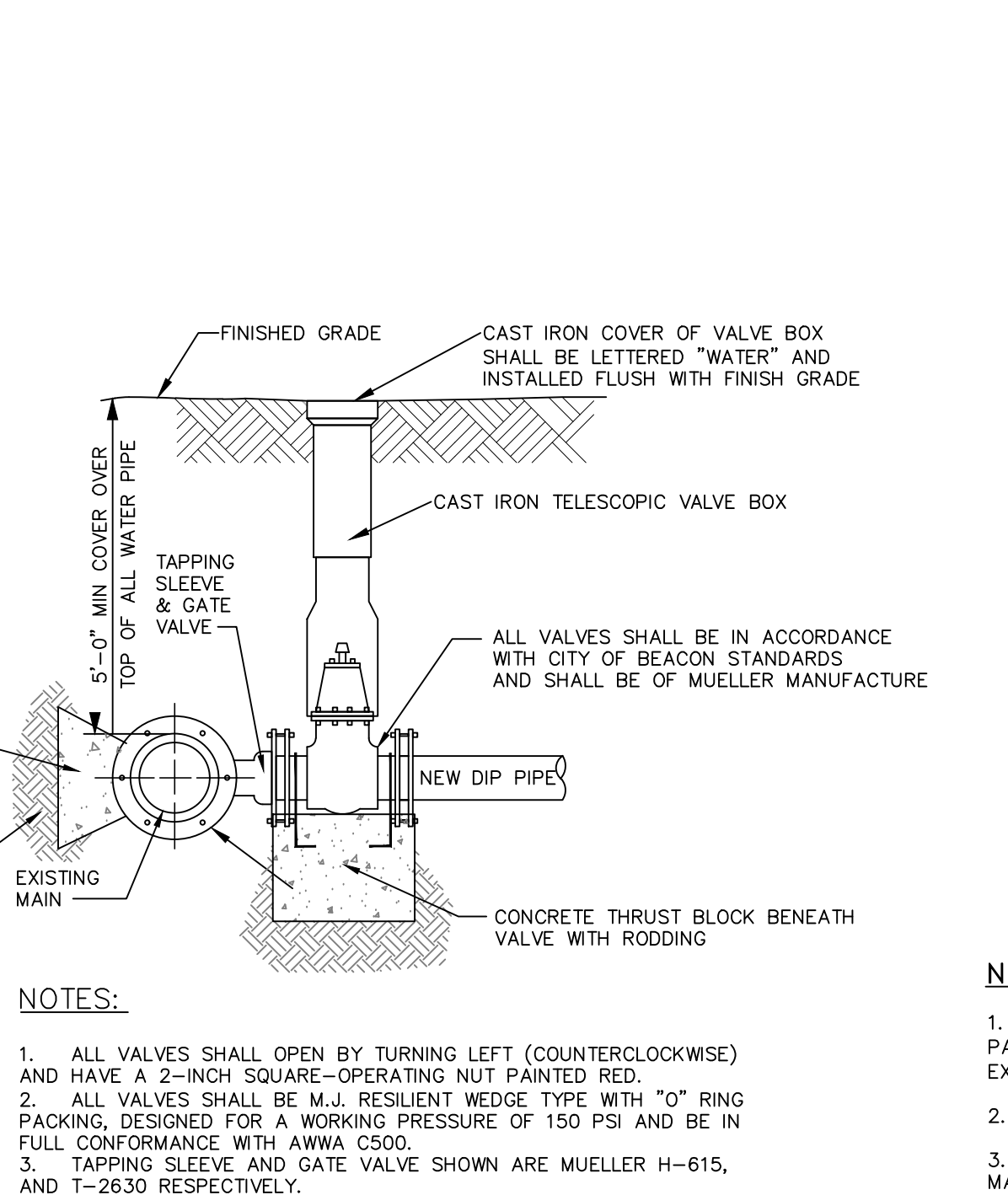
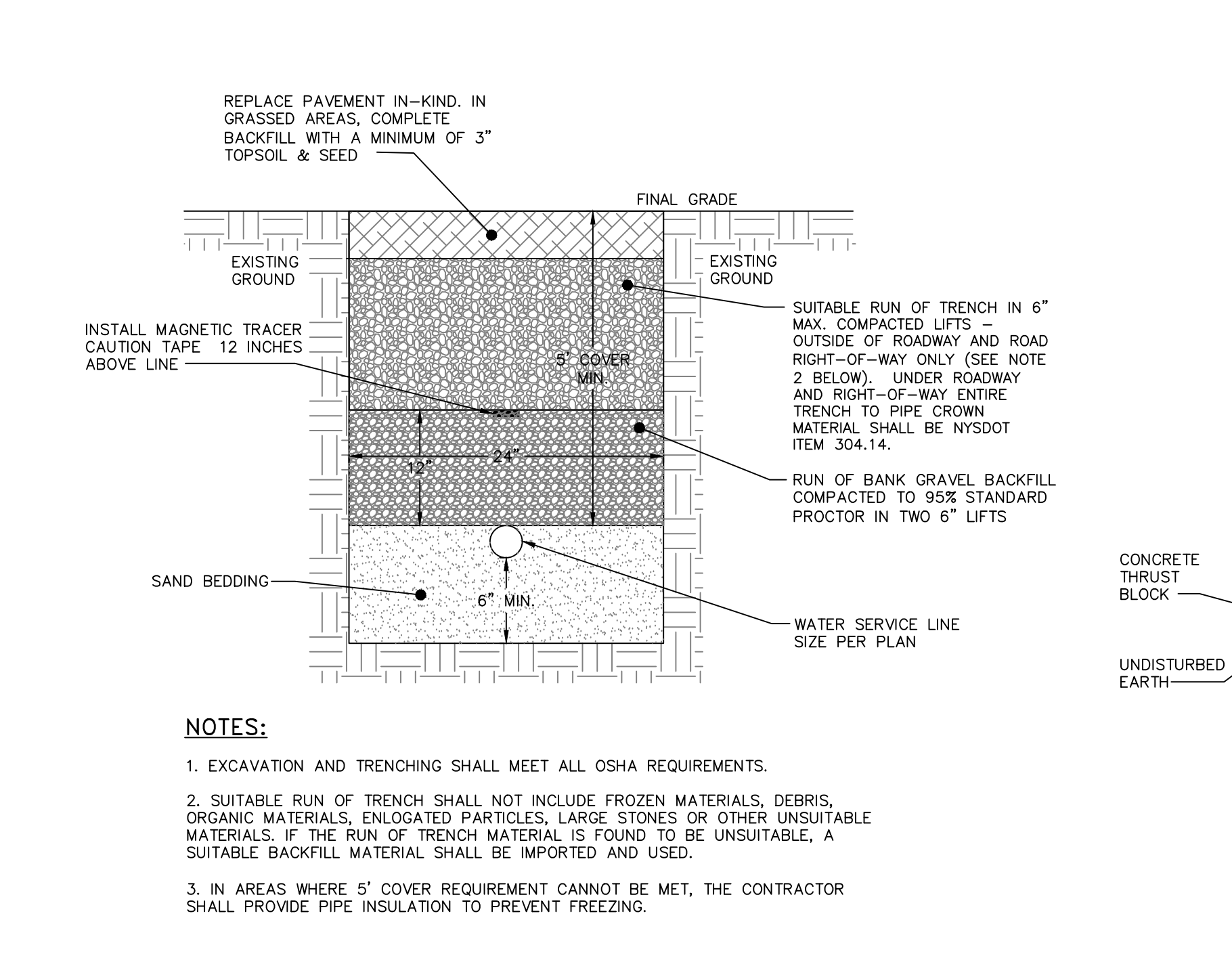


SEWER DETAILS



WATER DETAILS



DRAWN BY: MAB				CHECKED BY: DGK			
REVISIONS:				REVISIONS:			
NO.	DATE	DESCRIPTION	BY	NO.	DATE	DESCRIPTION	BY
1	12/29/18	REVISED FOR PLANNING BOARD SUBMISSION	MAB				
2	02/28/19	REVISED FOR PLANNING BOARD SUBMISSION	MAB				
3	02/28/19	NO CHANGE THIS SHEET	MAB				
4	04/30/19	REVISED PER PLANNING BOARD COMMENTS	MAB				
5	05/28/19	REVISED PER PLANNING BOARD COMMENTS	MAB				

DRAWN BY: MAB				CHECKED BY: DGK			
REVISIONS:				REVISIONS:			
NO.	DATE	DESCRIPTION	BY	NO.	DATE	DESCRIPTION	BY
1	12/29/18	REVISED FOR PLANNING BOARD SUBMISSION	MAB				
2	02/28/19	REVISED FOR PLANNING BOARD SUBMISSION	MAB				
3	02/28/19	NO CHANGE THIS SHEET	MAB				
4	04/30/19	REVISED PER PLANNING BOARD COMMENTS	MAB				
5	05/28/19	REVISED PER PLANNING BOARD COMMENTS	MAB				

DRAWN BY: MAB				CHECKED BY: DGK			
REVISIONS:				REVISIONS:			
NO.	DATE	DESCRIPTION	BY	NO.	DATE	DESCRIPTION	BY
1	12/29/18	REVISED FOR PLANNING BOARD SUBMISSION	MAB				
2	02/28/19	REVISED FOR PLANNING BOARD SUBMISSION	MAB				
3	02/28/19	NO CHANGE THIS SHEET	MAB				
4	04/30/19	REVISED PER PLANNING BOARD COMMENTS	MAB				
5	05/28/19	REVISED PER PLANNING BOARD COMMENTS	MAB				

DRAWN BY: MAB				CHECKED BY: DGK			
REVISIONS:				REVISIONS:			
NO.	DATE	DESCRIPTION	BY	NO.	DATE	DESCRIPTION	BY
1	12/29/18	REVISED FOR PLANNING BOARD SUBMISSION	MAB				
2	02/28/19	REVISED FOR PLANNING BOARD SUBMISSION	MAB				
3	02/28/19	NO CHANGE THIS SHEET	MAB				
4	04/30/19	REVISED PER PLANNING BOARD COMMENTS	MAB				
5	05/28/19	REVISED PER PLANNING BOARD COMMENTS	MAB				

DRAWN BY: MAB				CHECKED BY: DGK			
REVISIONS:				REVISIONS:			
NO.	DATE	DESCRIPTION	BY	NO.	DATE	DESCRIPTION	BY
1	12/29/18	REVISED FOR PLANNING BOARD SUBMISSION	MAB				
2	02/28/19	REVISED FOR PLANNING BOARD SUBMISSION	MAB				
3	02/28/19	NO CHANGE THIS SHEET	MAB				
4	04/30/19	REVISED PER PLANNING BOARD COMMENTS	MAB				
5	05/28/19	REVISED PER PLANNING BOARD COMMENTS	MAB				

HUDSON LAND DESIGN
PROFESSIONAL ENGINEERING P.C.
174 MAIN ST., BEACON, NEW YORK 12508
13 CHAMBERS ST., NEWBURGH, NEW YORK 12560
TEL: 845-440-6906
F: 845-440-6637

WATER AND SEWER DETAILS

23-28 CREEK DRIVE

33-28 CREEK ROAD
CITY OF BEACON
DUTCHESS COUNTY, NEW YORK
TAX ID: 6054-37-037625

JOB #: 2018-029
DATE: 10/23/2018
SCALE: AS SHOWN
TITLE: D-3
SHEET: 12 OF 12