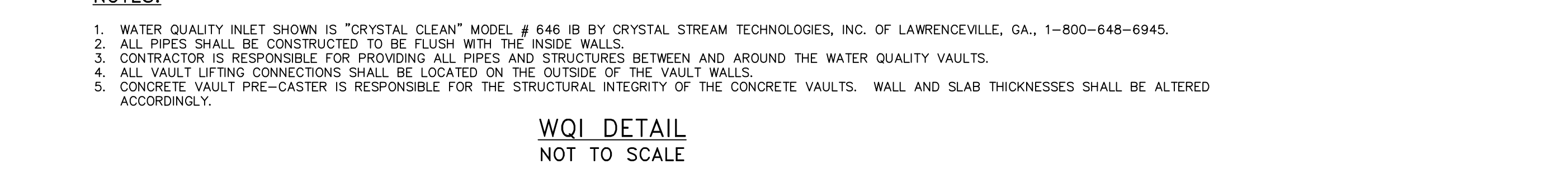
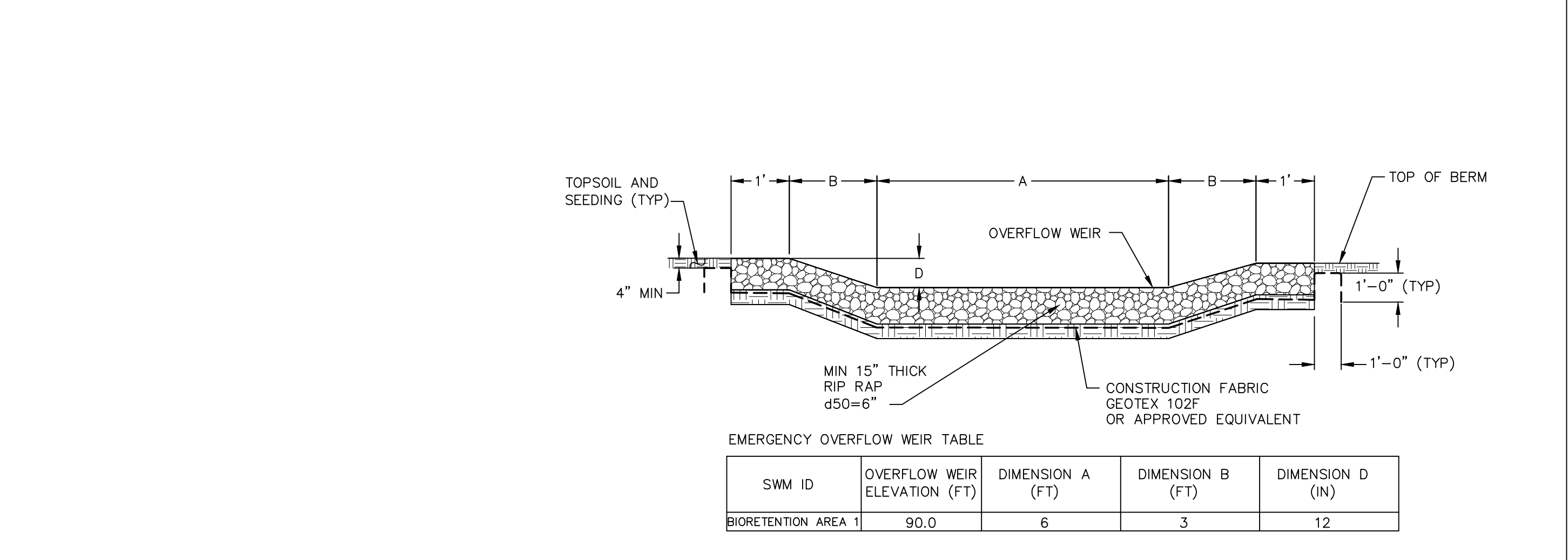
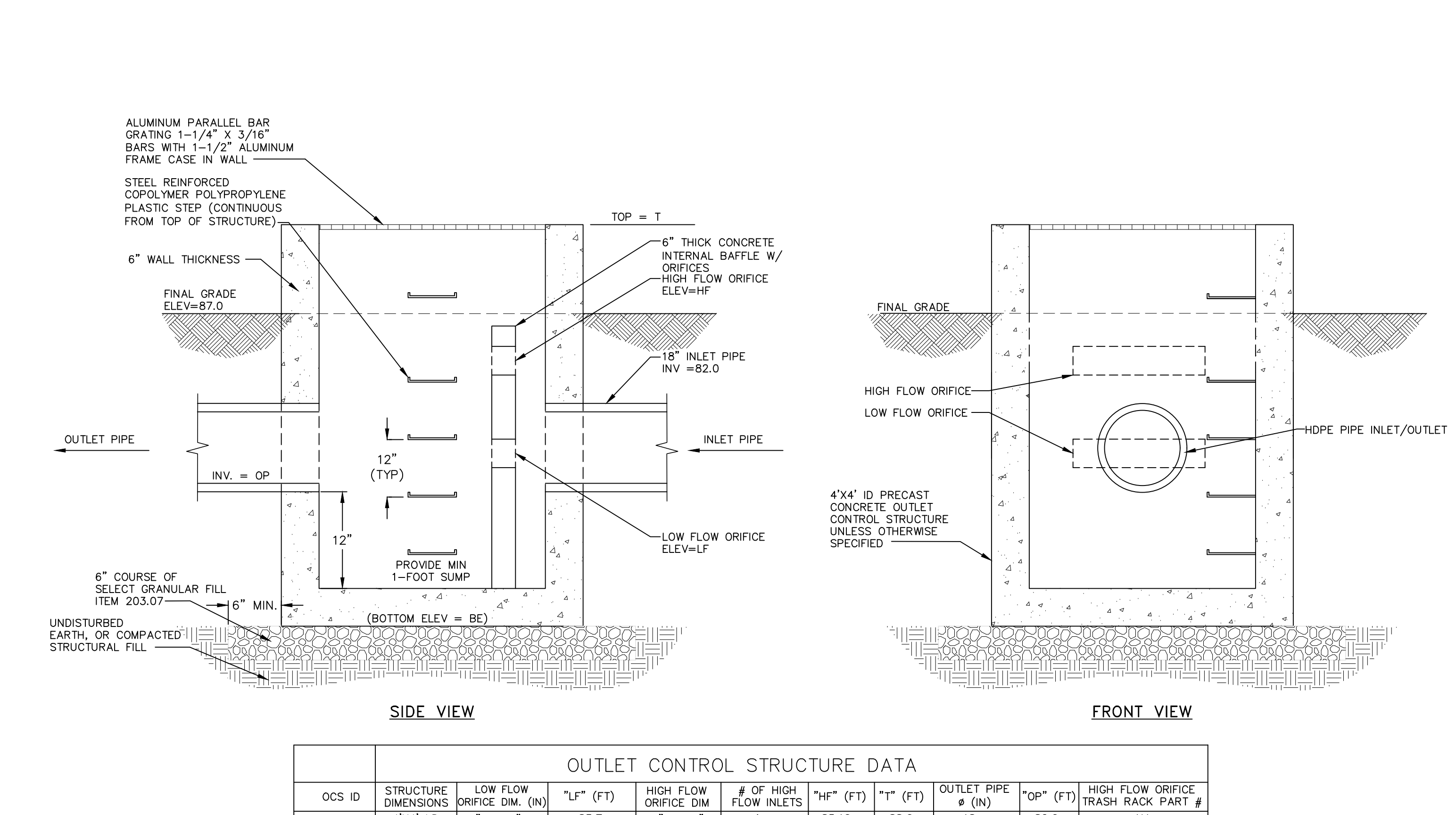
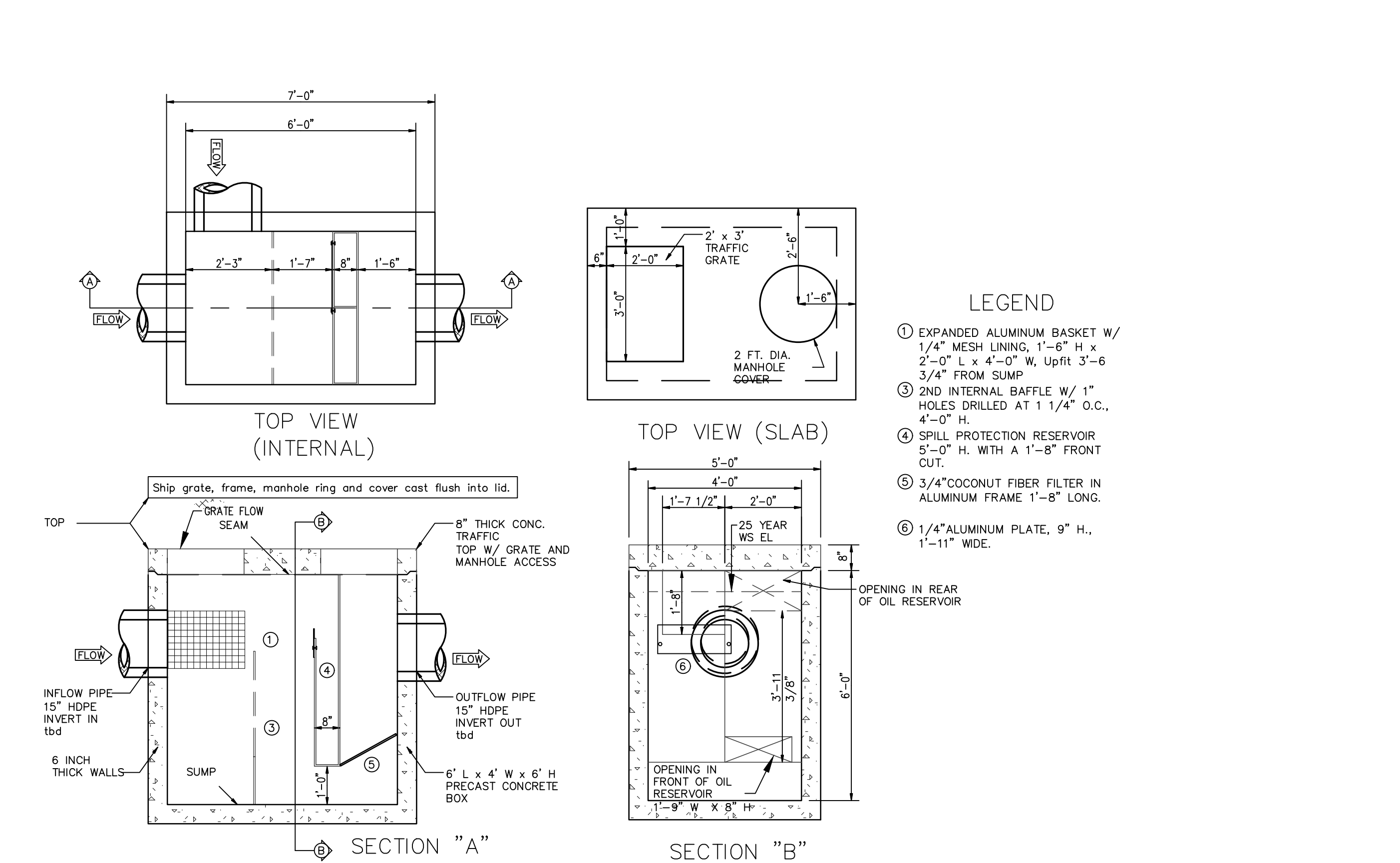
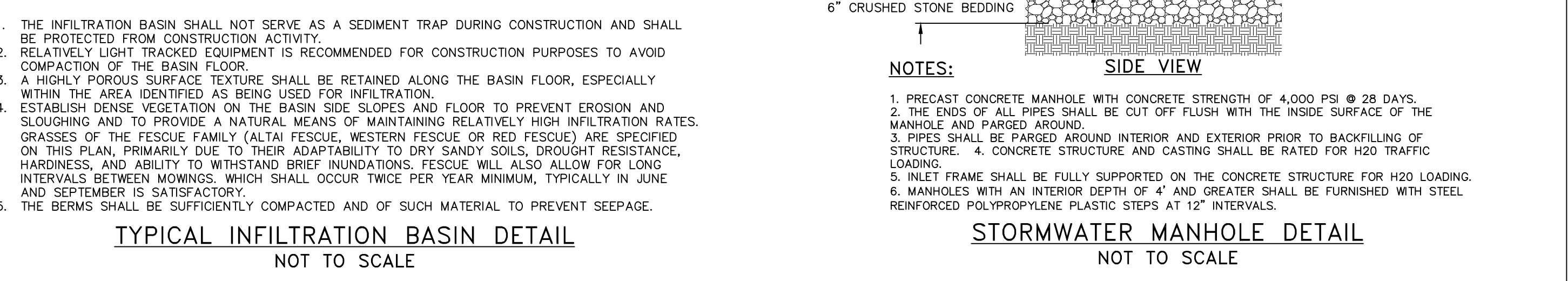


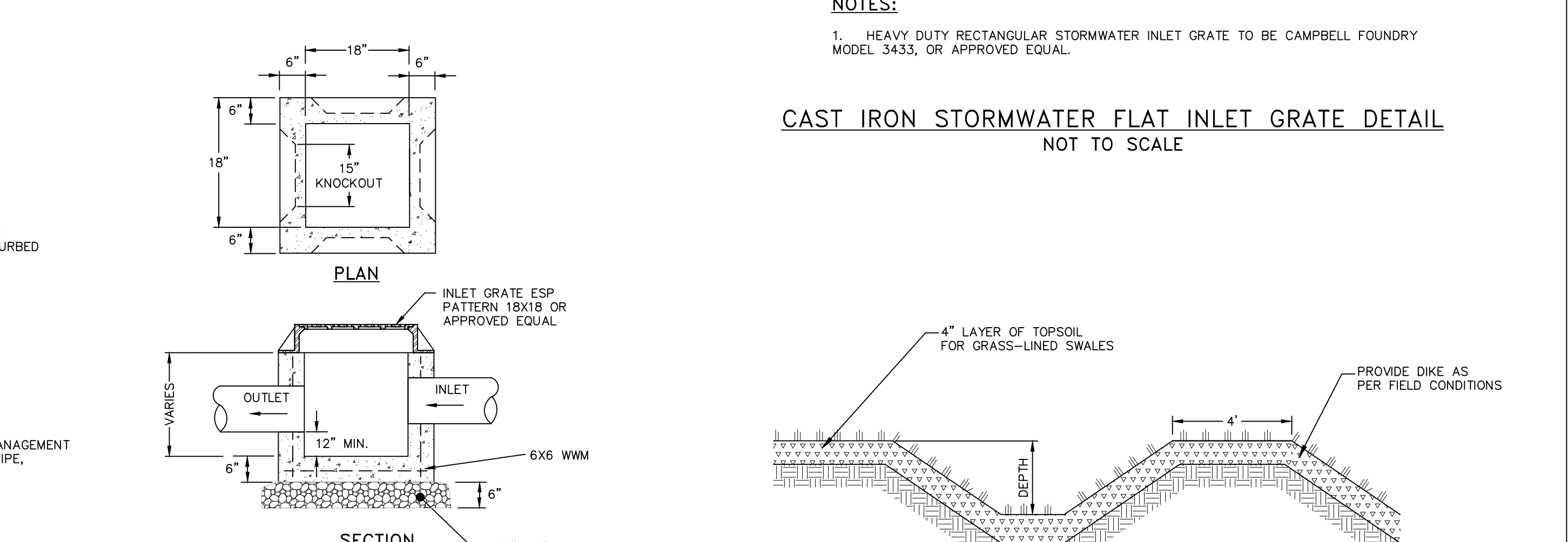
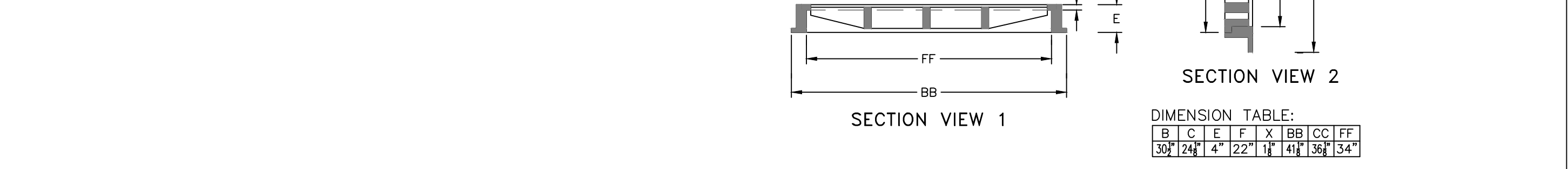
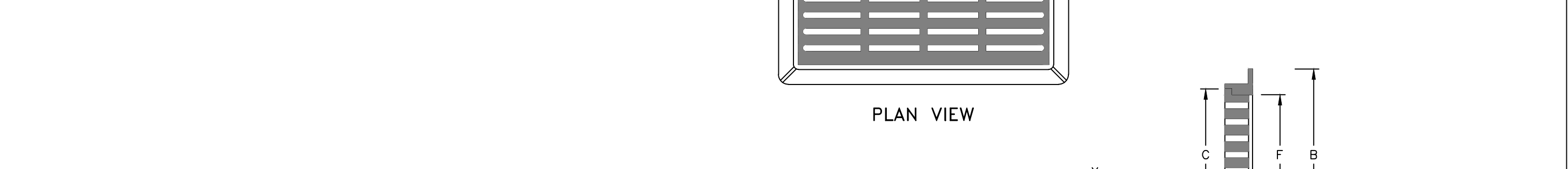
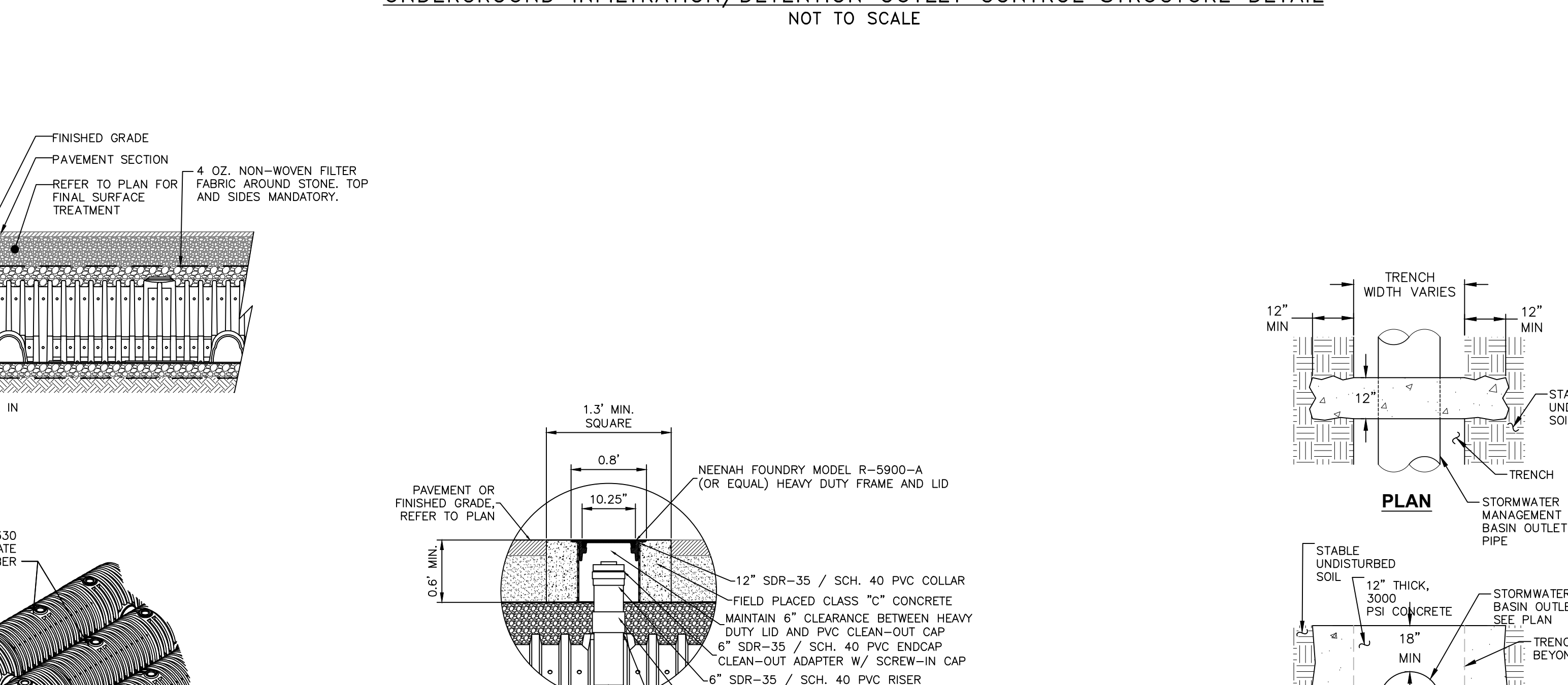
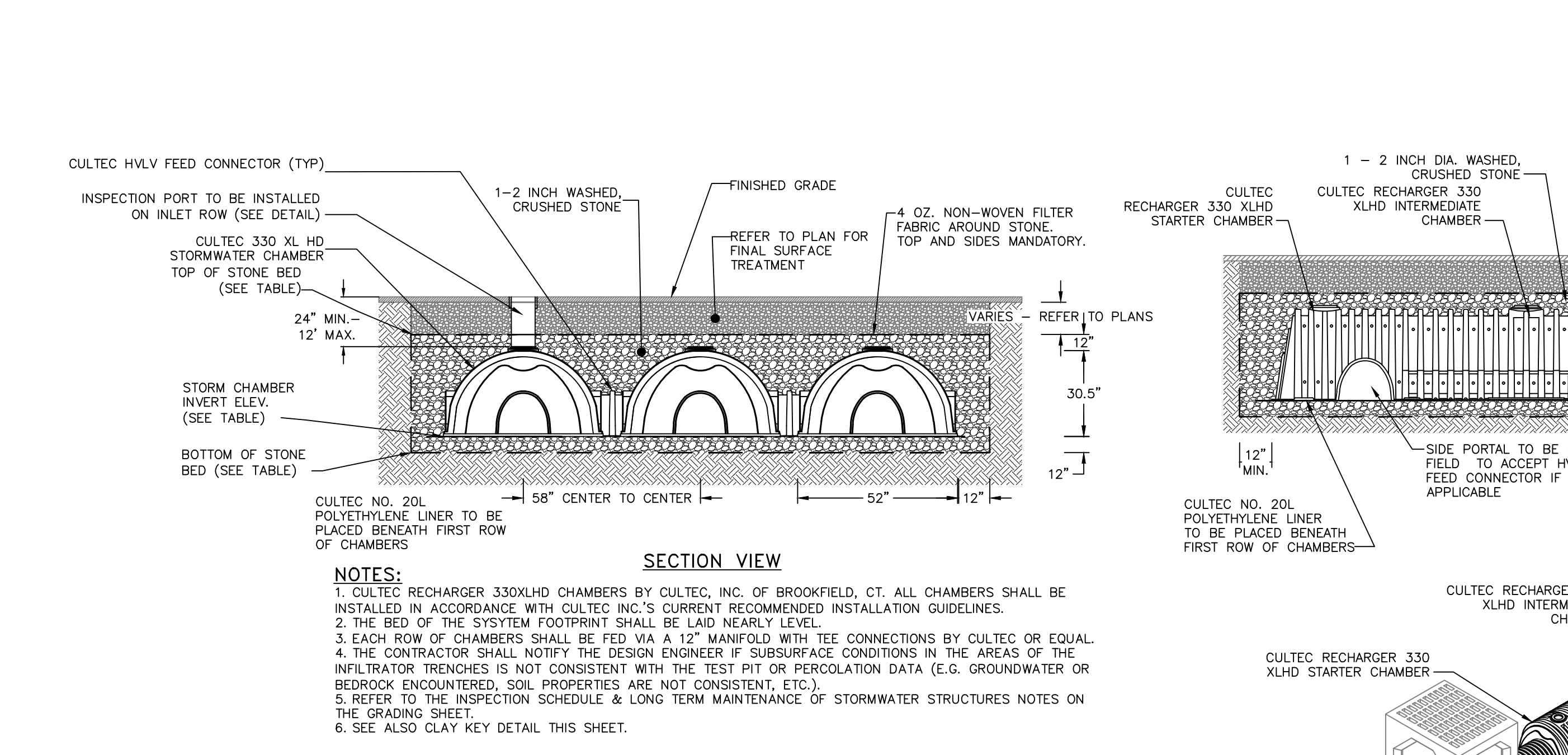
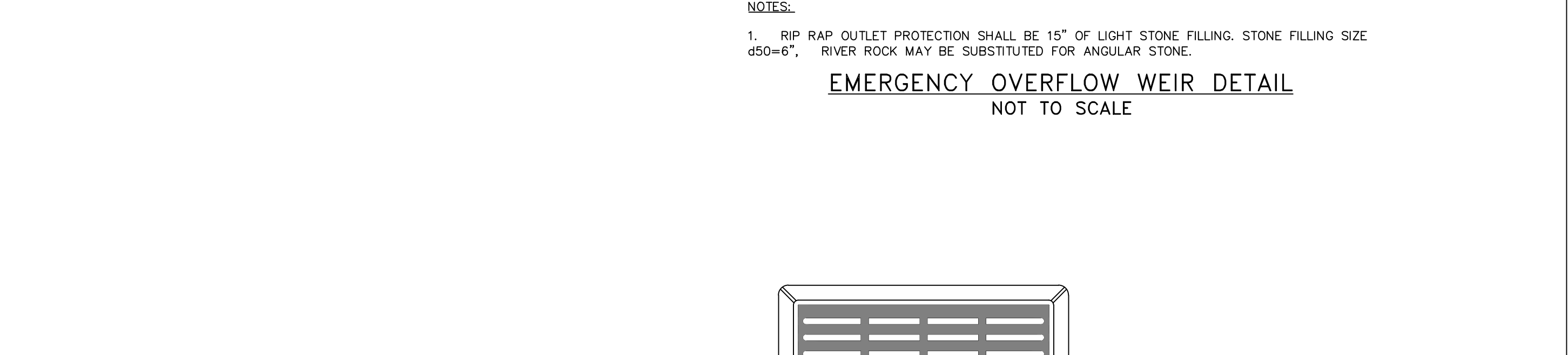
OUTLET CONTROL STRUCTURE DATA

OCS ID	STRUCTURE DIMENSIONS	LOW FLOW ORIFICE DIM	"L" (FT)	HIGH FLOW ORIFICE DIM	# OF HIGH FLOW INLETS	"H" (FT)	"I" (FT)	OUTLET PIPE # (IN)	"OP" (FT)	HIGH FLOW ORIFICE TRASH RACK PART #
1	4'X4' ID.	3"	89.55	NONE	NONE	N/A	89.9	15	86.0	020601



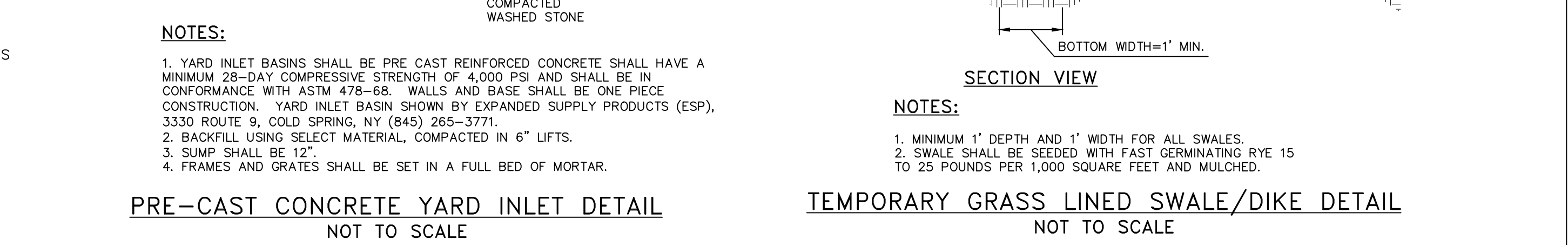
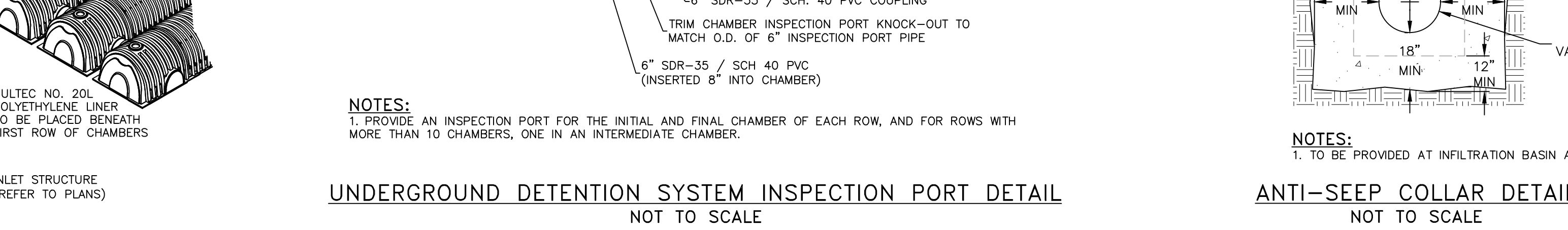
OUTLET CONTROL STRUCTURE DATA

OCS ID	STRUCTURE DIMENSIONS	LOW FLOW ORIFICE DIM (IN)	"L" (FT)	HIGH FLOW ORIFICE DIM	# OF HIGH FLOW INLETS	"H" (FT)	"I" (FT)	OUTLET PIPE # (IN)	"OP" (FT)	HIGH FLOW ORIFICE TRASH RACK PART #
2	4'X4' ID.	3" W X 6"	83.7	2'0" X 6"	1	85.10	88.0	18	82.0	NA



UNDERGROUND INFILTRATION/ DETENTION SYSTEM DETAIL

SYSTEM ID	BOTTOM OF STONE BED ELEVATION	CHAMBER STONE BED ELEVATION	TOP OF STONE BED ELEVATION	STONE BED FOOTPRINT DIMENSIONS	NO. OF CHAMBERS	
A	81.0	82.0	85.54	1.599 S.F.	44.84 X 35.66	42



REVISIONS:

NO.	DATE	DESCRIPTION	BY
1	12/25/18	REVISED FOR PLANNING BOARD SUBMISSION	MAB
2	02/28/19	REVISED FOR PLANNING BOARD SUBMISSION	MAB
3	03/28/19	REVISED PER PLANNING BOARD COMMENTS	MAB
4	04/26/19	REVISED PER PLANNING BOARD COMMENTS	MAB
5	05/29/19	NO CHANGE THIS SHEET	MAB

REVISIONS:

NO.	DATE	DESCRIPTION	BY

Dig Safely.
New York
800-962-7962
www.digsafely.com

HUDSON LAND DESIGN

SEAL

HUDSON LAND DESIGN
PROFESSIONAL ENGINEERING P.C.
174 MAIN ST., BEACON, NEW YORK 12508
13 CHAMBERS ST., NEWBURGH, NEW YORK 12550
PH: 845-440-6925
F: 845-440-6637

STORMWATER DETAILS
23-28 CREEK DRIVE
23-28 CREEK ROAD
CITY OF BEACON
DUTCHESS COUNTY, NEW YORK
TAX ID: 6054-37-037825

JOB #: 2018-029
DATE: 10/23/2018
SCALE: AS SHOWN
TITLE: D-2
SHEET: 11 OF 12

UNAUTHORIZED ALTERATIONS OR ADDITIONS TO THIS DRAWING IS A VIOLATION OF SECTION 7209.2 OF THE NEW YORK EDUCATION LAW