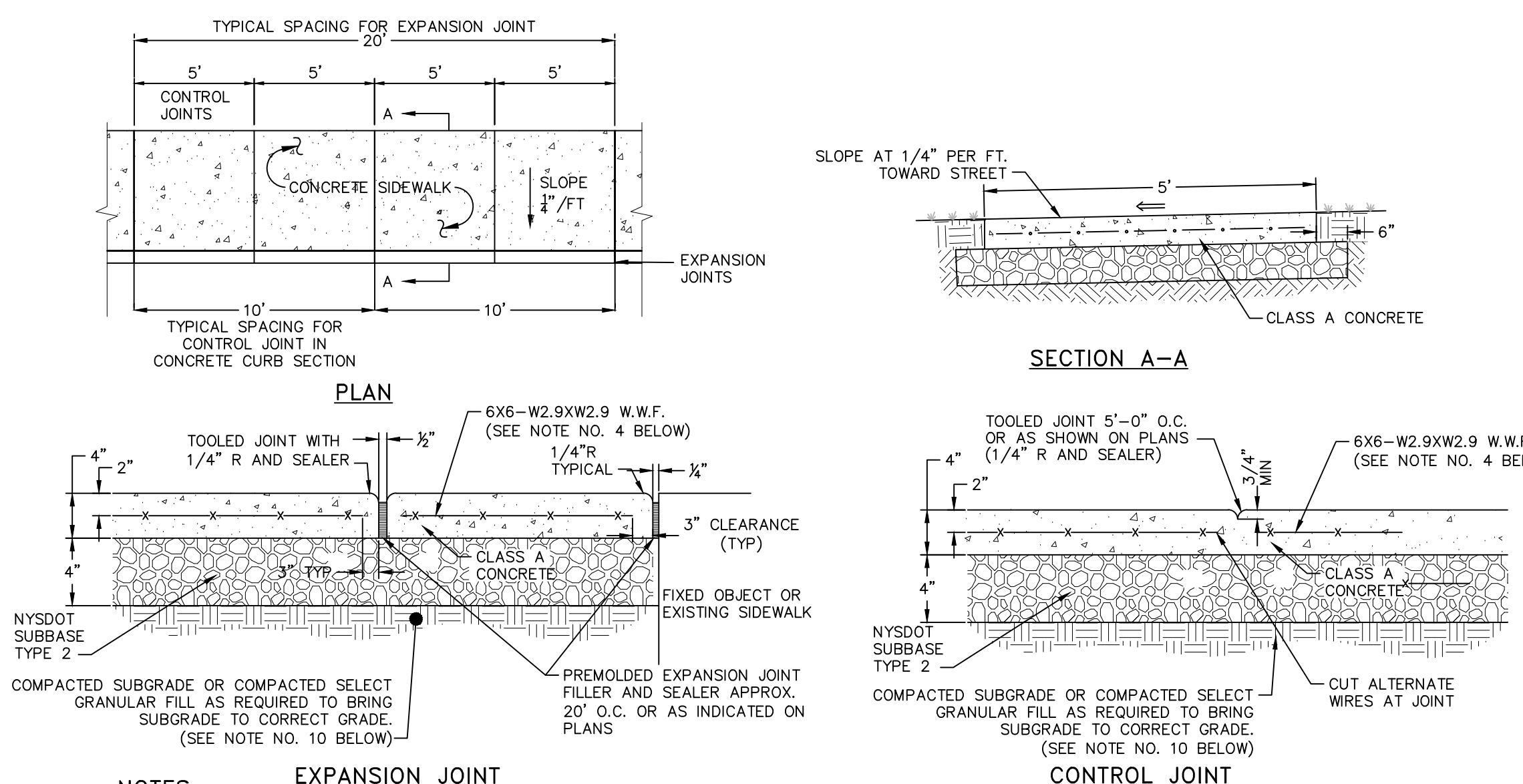


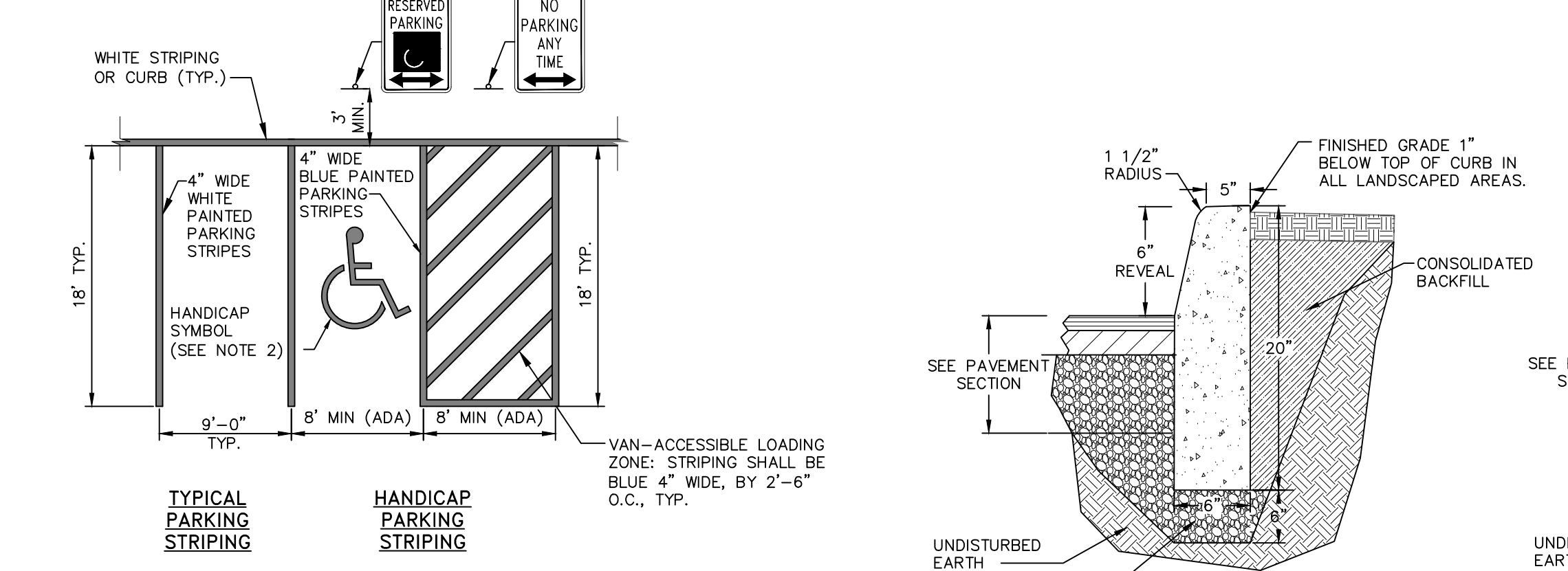
SITE DETAILS



NOTES:

1. 10' SPACING OF CONTROL JOINTS SHALL BE USED FOR CAST IN PLACE CONCRETE CURBS.
2. MATERIAL AND METHODS OF CONSTRUCTION SHALL BE IN CONFORMANCE WITH THE NEW YORK STATE DEPARTMENT OF TRANSPORTATION (NYSDOT) STANDARD SPECIFICATIONS FOR CONSTRUCTION AND MATERIALS, DATED JANUARY 2, 2002, AND ALL ADDENDA THEREIN. THE ONLY EXCEPTION BEING THAT THE WORK OF THIS CONTRACT SHALL BE MEASURED IN ENGLISH UNITS.
3. ALL CONCRETE SHALL BE 3500 PSI CLASS A CONCRETE. CONCRETE MATERIALS, PLACEMENT, AND CONSTRUCTION SHALL CONFORM WITH SECTION 500 OF THE ABOVE REFERENCED NYSDOT STANDARD SPECIFICATIONS.
4. REINFORCING STEEL FOR CONCRETE SHALL CONFORM WITH SECTION 556 - REINFORCING STEEL FOR CONCRETE STRUCTURES OF THE ABOVE REFERENCED NYSDOT STANDARD SPECIFICATIONS AND AS SPECIFICALLY CALLED OUT IN THE DRAWINGS.
5. ALL EXPOSED SURFACES SHALL HAVE A BROOM TEXTURED FINISH.
6. EXPANSION JOINTS SHALL BE LOCATED A MAXIMUM OF 20' ON CENTER, OR AS INDICATED ON PLANS.
7. JOINTS SHALL NOT BE SAW CUT.
8. EXPOSED CONCRETE SURFACES SHALL BE TREATED WITH "SUREBOND"/"SAFESEAL" 98-7000 INTENSIFIER BRIGHT PROTECTOR AND SIDEWALK SEALER, OR EQUAL. RATE AND METHOD OF APPLICATION SHALL BE IN ACCORDANCE WITH MANUFACTURER'S RECOMMENDATION.
9. SUBGRADE MATERIAL SHALL CONFORM WITH SECTION 304 OF THE ABOVE REFERENCED NYSDOT STANDARD SPECIFICATIONS.
10. WHERE IT IS NECESSARY TO PLACE FILL FOR PURPOSES OF BRINGING THE SUBGRADE ELEVATION UP TO A SPECIFIED GRADE, THE FILL MATERIAL PLACED SHALL BE IN CONFORMANCE WITH SECTION 203-EXCAVATION AND EMBANKMENT OF THE ABOVE REFERENCED NYSDOT STANDARD SPECIFICATIONS.
11. ALL WORK SHALL CONFORM WITH SECTION 608-SIDEWALK, DRIVEWAYS, AND BICYCLE PATHS OF THE ABOVE REFERENCED NYSDOT STANDARD SPECIFICATIONS.

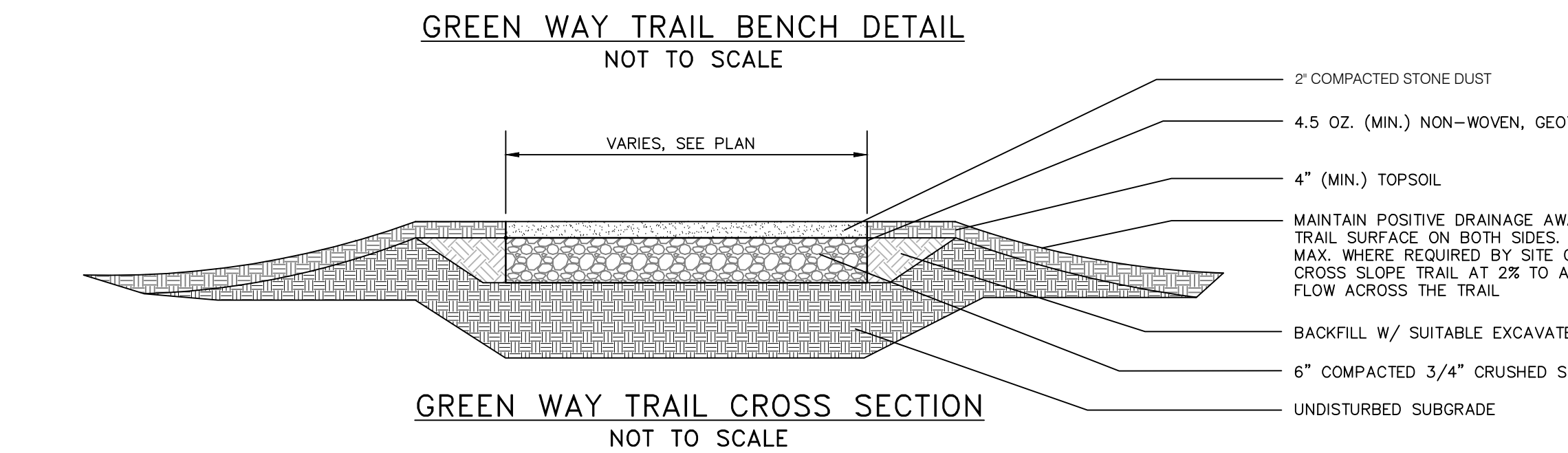
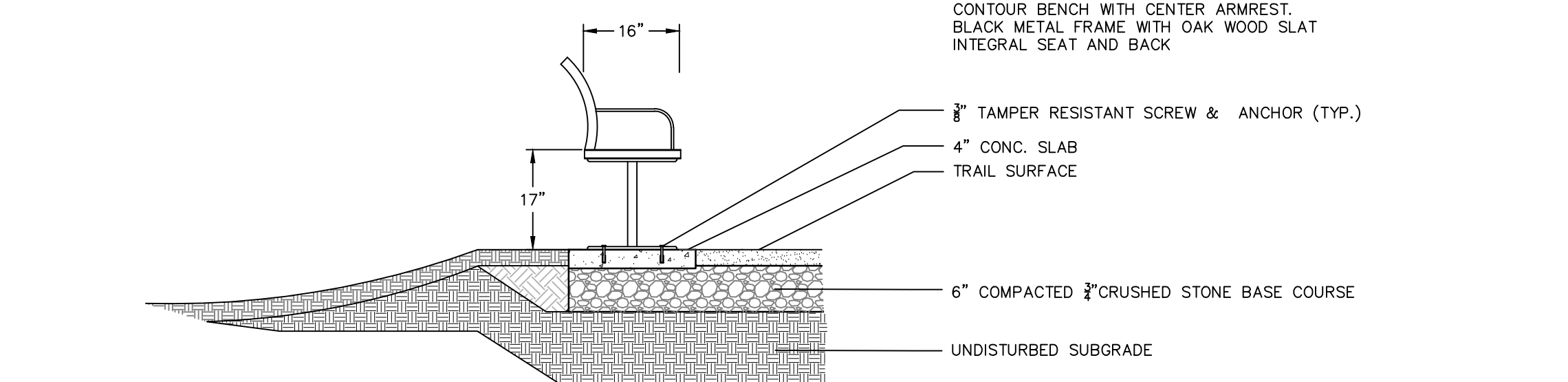
CONCRETE SIDEWALK DETAIL
NOT TO SCALE



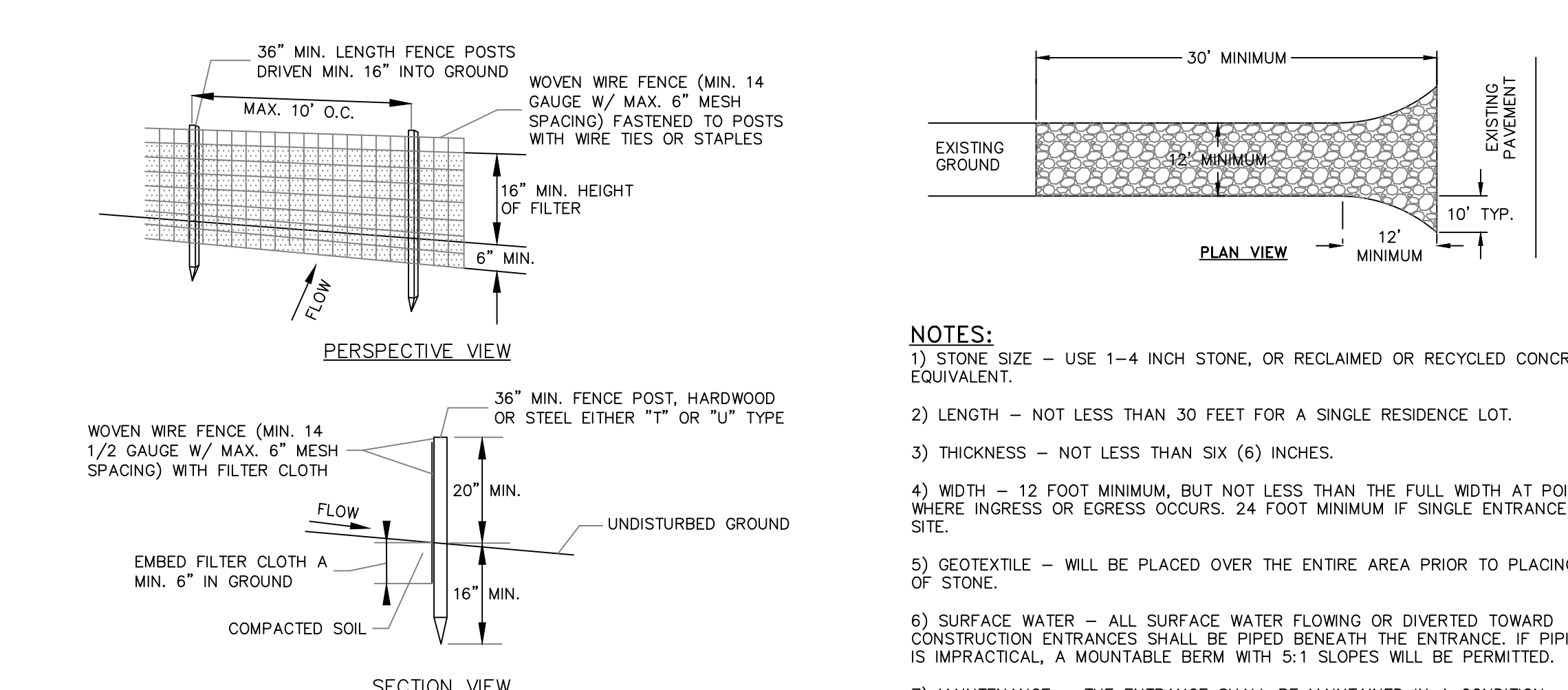
NOTES:

1. ALL DIMENSIONS SUBJECT TO CURRENT MUNICIPALITY ZONING AND SITE REGULATIONS.
2. PAINTED HANDCAP SYMBOL TO BE IN ACCORDANCE WITH NYSDOT AND ADA STANDARDS.
3. IF PARKING ADJUTS A SIDEWALK, THEN THE REGULATORY SIGNS SHALL BE PLACED BEHIND THE SIDEWALK.

PARKING AND STRIPING DETAIL
NOT TO SCALE



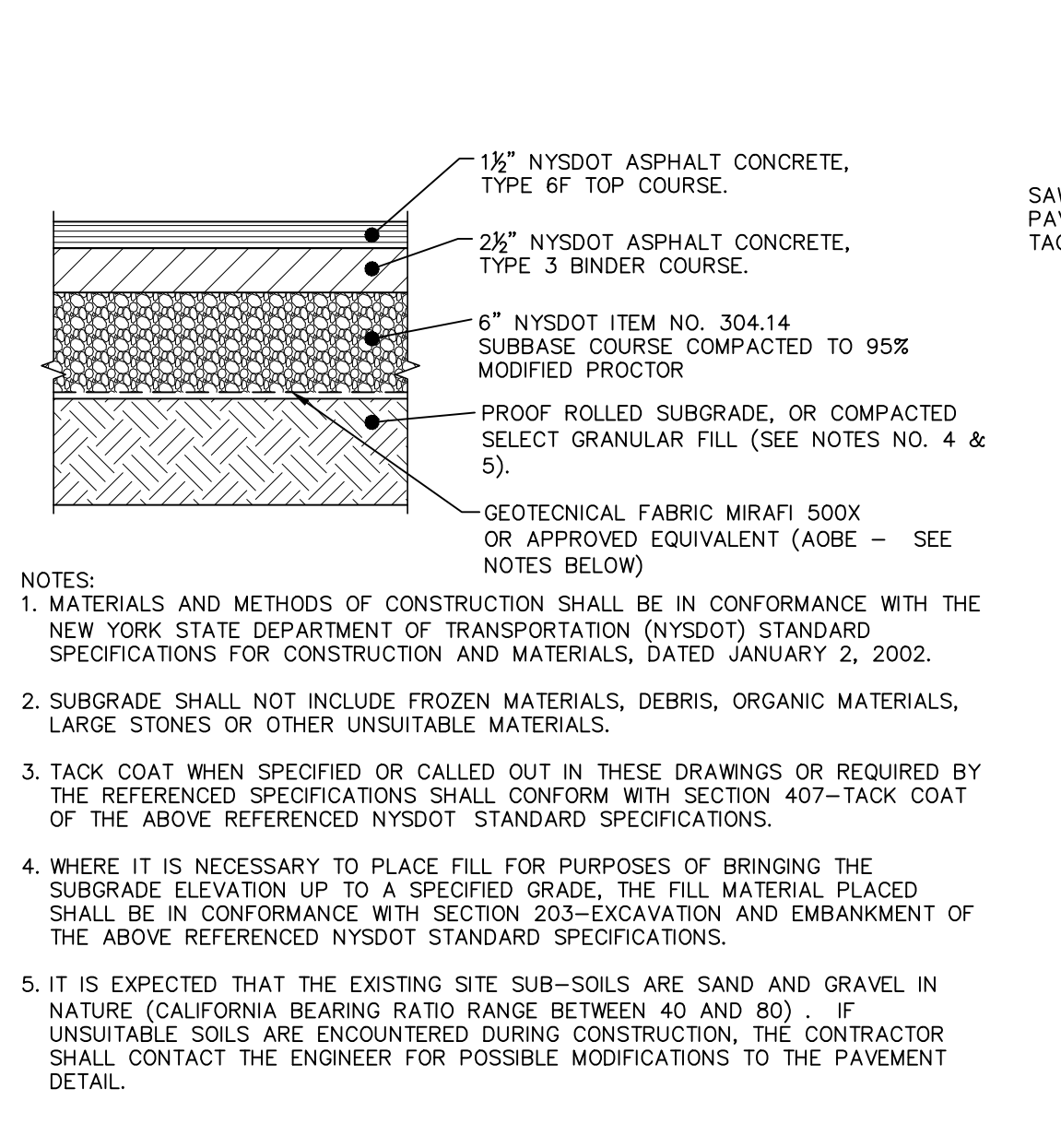
LANDSCAPE & EROSION AND SEDIMENT CONTROL DETAILS



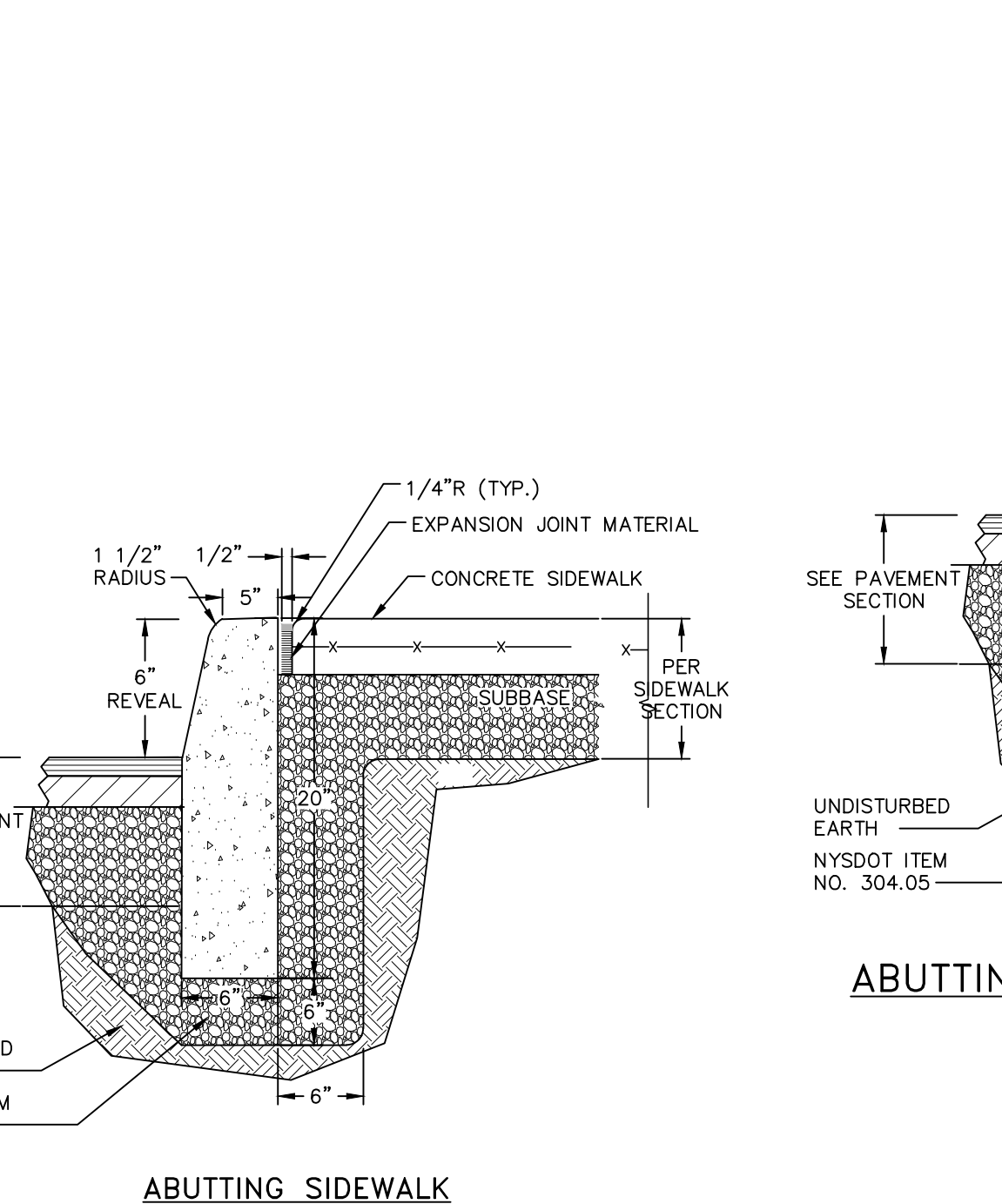
NOTES:

1. FILTER CLOTH TO BE FASTENED SECURELY TO WOVEN WIRE FENCE WITH TIES SPACING EVERY 24" AT TOP AND MID SECTION.
2. WHEN TWO SECTIONS OF FILTER CLOTH ADJOIN EACH OTHER THEY SHALL BE OVERLAPPED BY SIX INCHES AND FOLDED. FILTER CLOTH SHALL BE EITHER FILTER X, MIRAL 100X, STABILINKA 1140N OR APPROVED EQUAL.
3. PREFABRICATED UNITS SHALL BE GEOTAF, ENVIRONMENT OR APPROVED EQUAL.
4. MAINTENANCE SHALL BE PERFORMED AS NEEDED AND MATERIAL REMOVED WHEN "BULGES" DEVELOP IN THE SILT FENCE.

DRAWN BY: MAB			CHECKED BY: DKG				
REVISIONS:			REVISIONS:				
NO.	DATE	DESCRIPTION	BY	NO.	DATE	DESCRIPTION	BY
1	12/28/18	REVISED FOR PLANNING BOARD SUBMISSION	MAB				
2	02/28/19	NO CHANGE ON THIS SHEET	MAB				
3	03/28/19	REVISED PER PLANNING BOARD COMMENTS	MAB				
4	04/28/19	REVISED PER PLANNING BOARD COMMENTS	MAB				
5	05/28/19	NO CHANGE THIS SHEET	MAB				



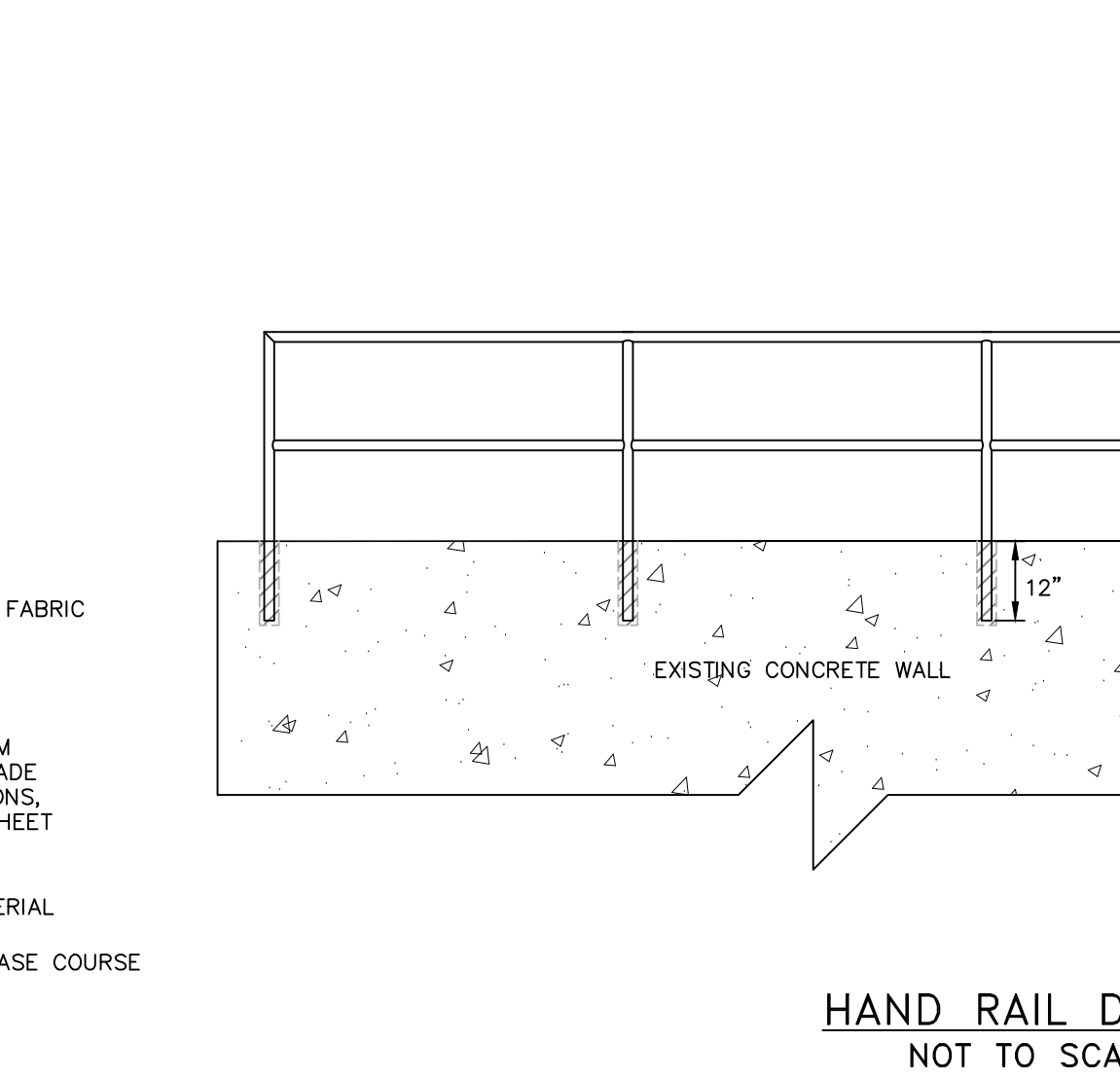
PAVEMENT SECTION DETAIL
NOT TO SCALE



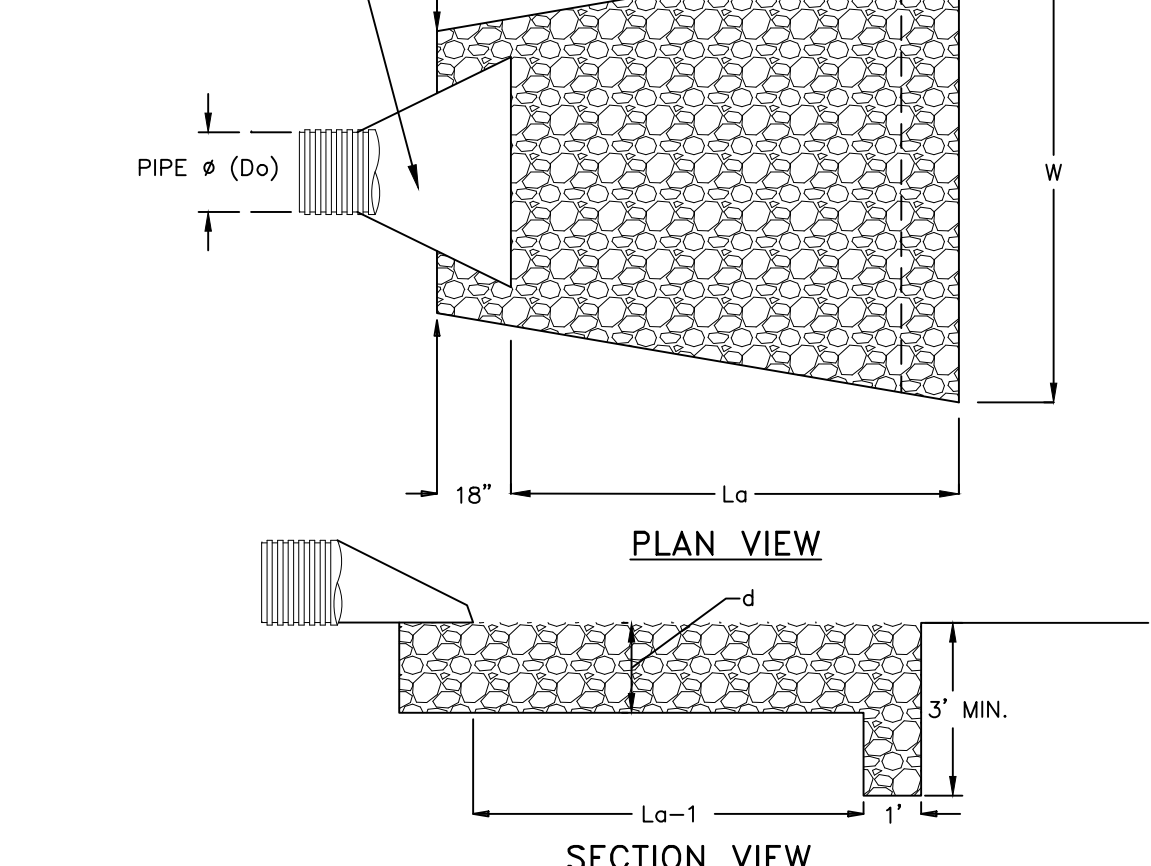
PAVEMENT RESTORATION DETAIL
NOT TO SCALE

MOUNTABLE CURB
ABUTTING GRASS OR LANDSCAPE
NOT TO SCALE

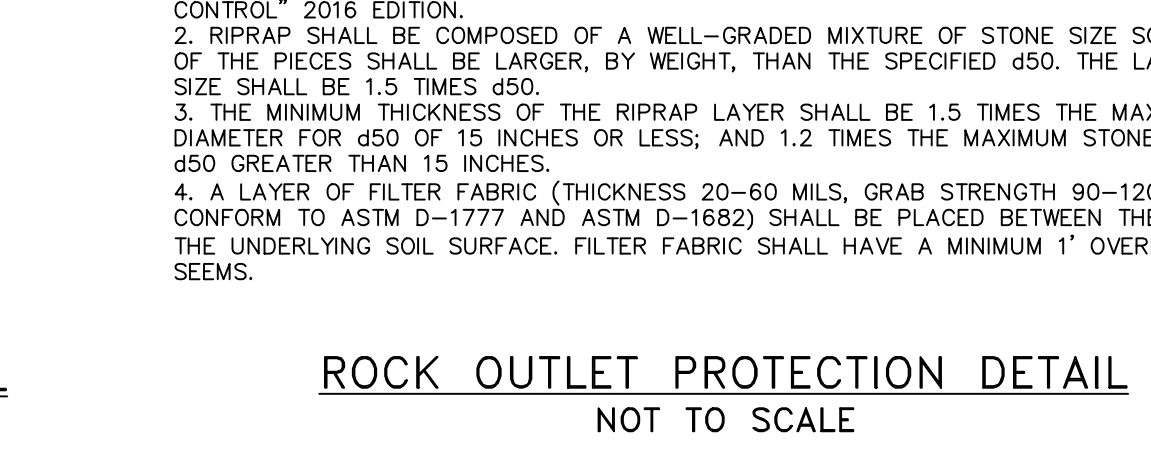
CAST-IN-PLACE CONCRETE CURB DETAIL
NOT TO SCALE



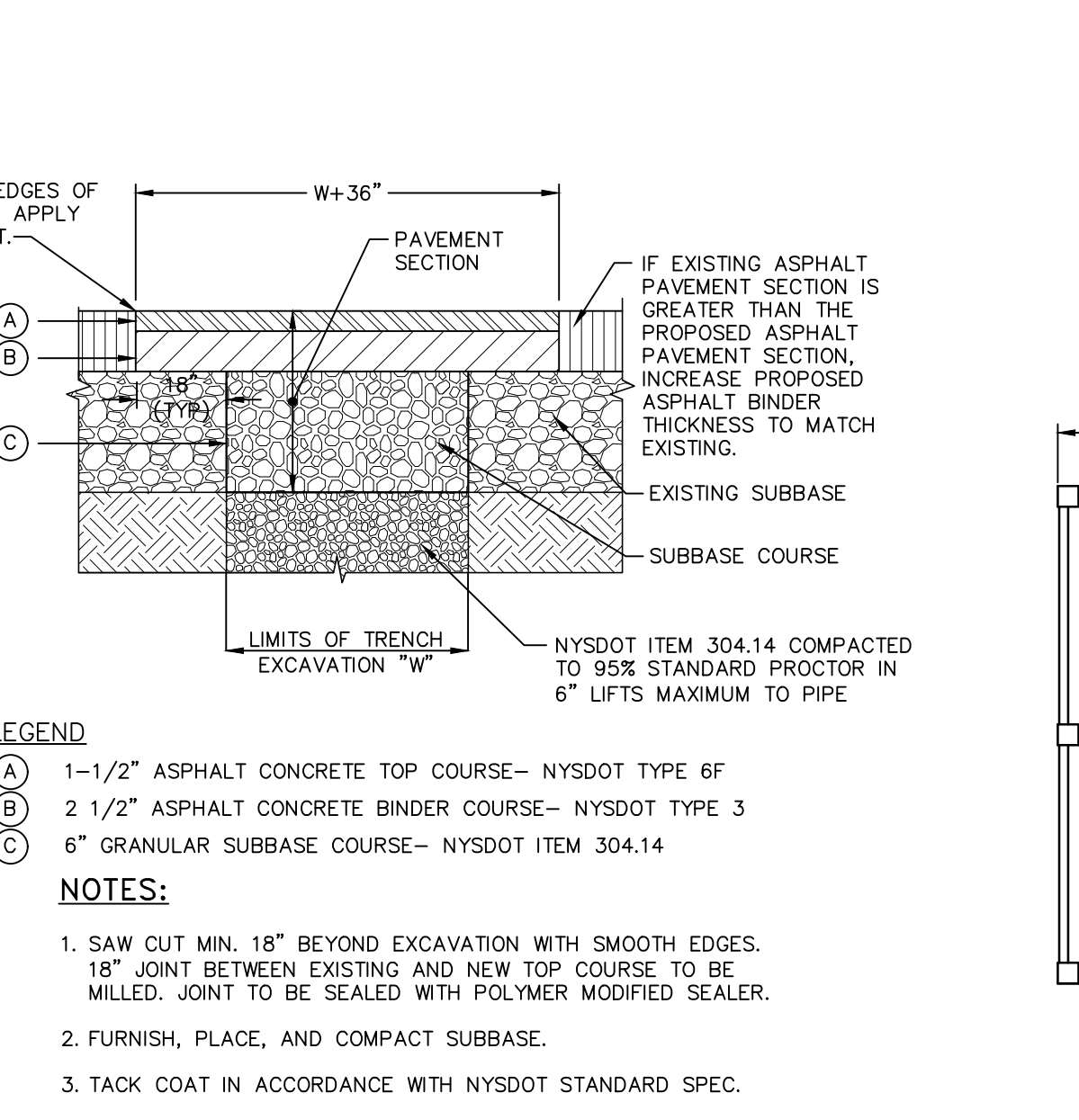
HAND RAIL DETAIL
NOT TO SCALE



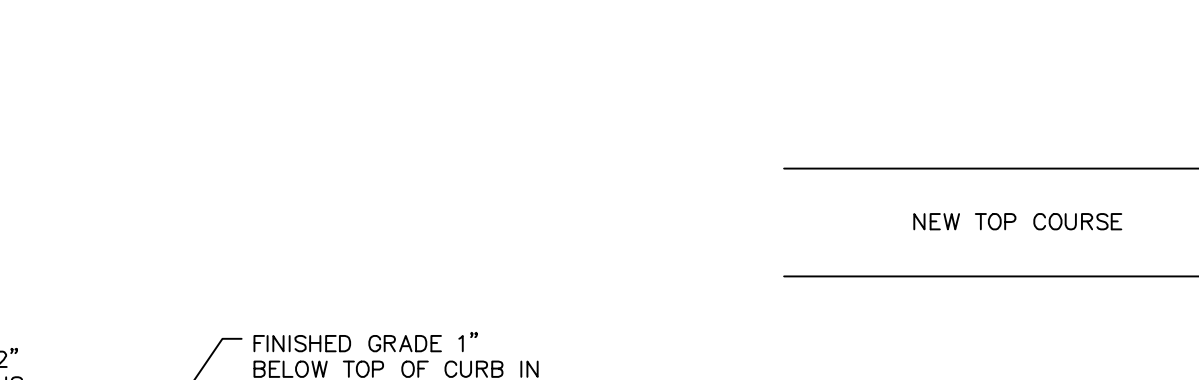
ROCK OUTLET PROTECTION DETAIL
NOT TO SCALE



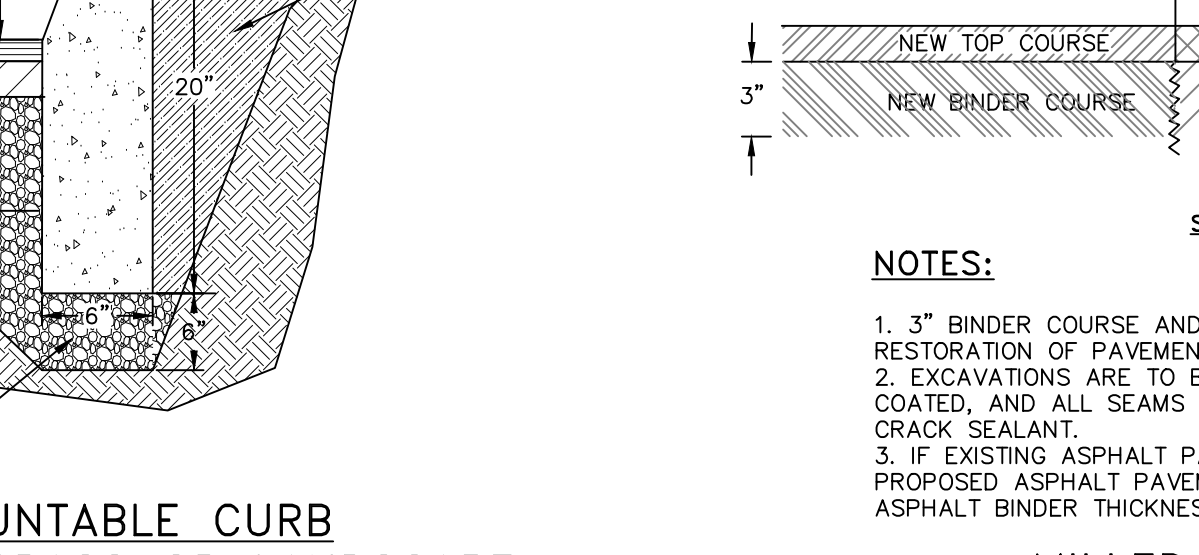
CATCH BASIN INLET PROTECTION DETAIL
NOT TO SCALE



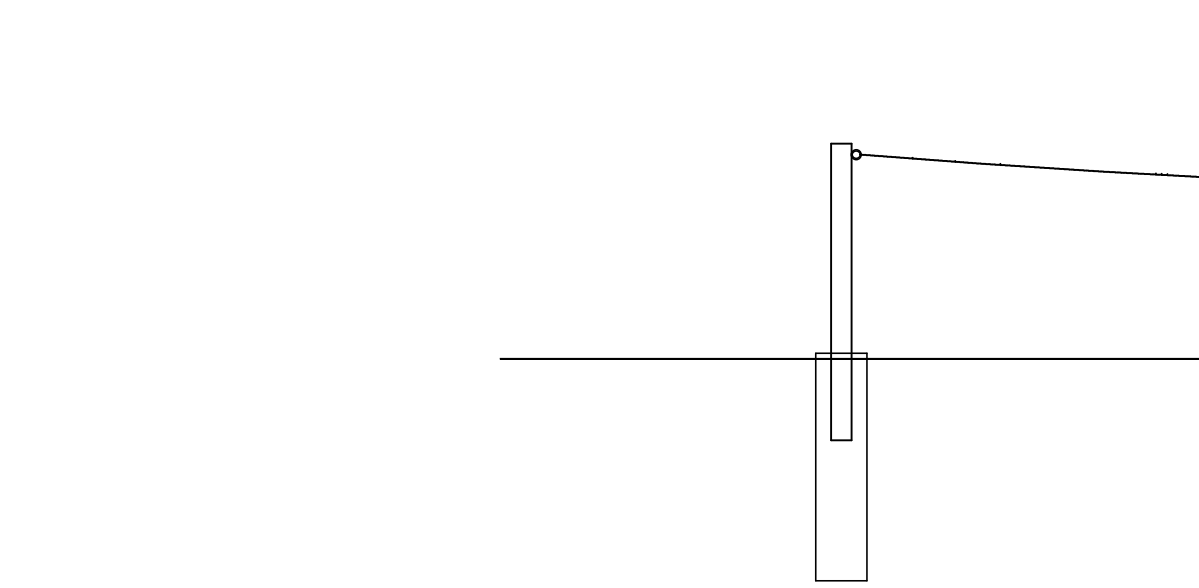
TRASH ENCLOSURE DETAILS
NOT TO SCALE



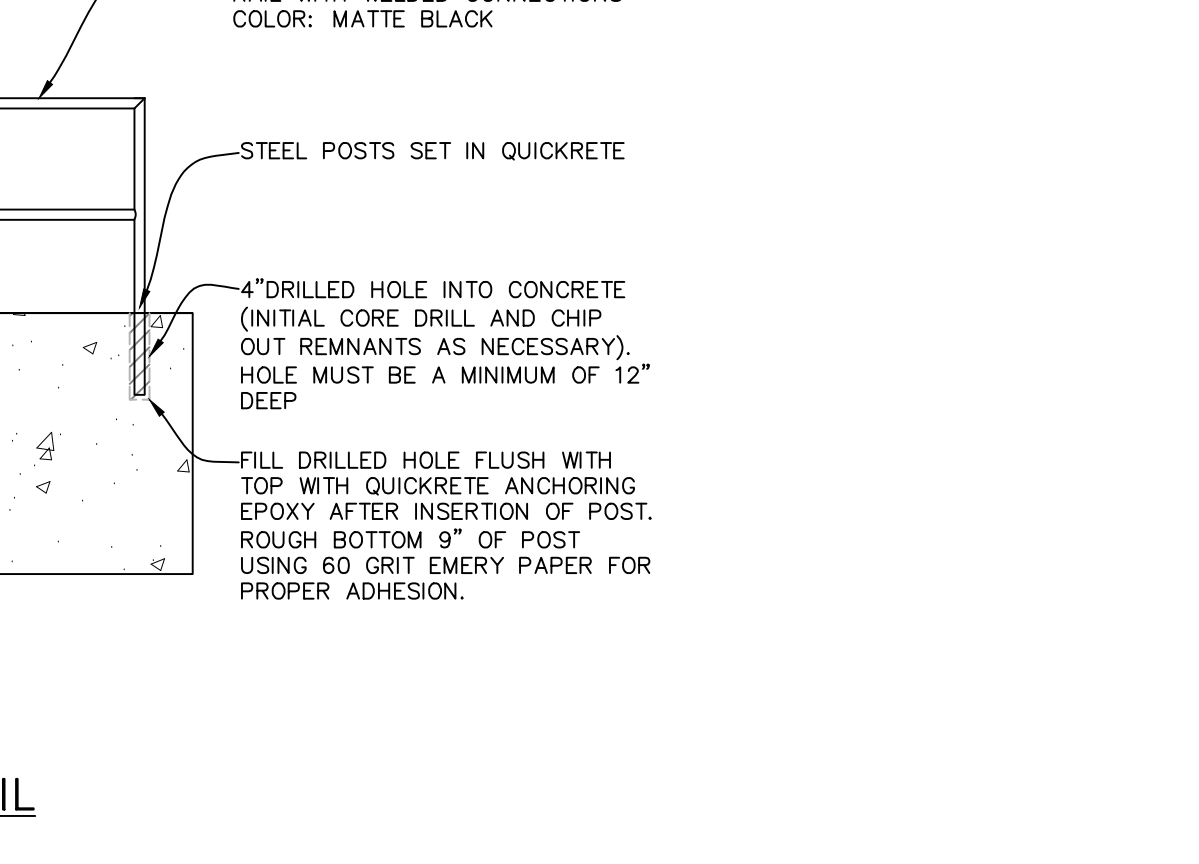
MILLED KEYWAY DETAIL
NOT TO SCALE



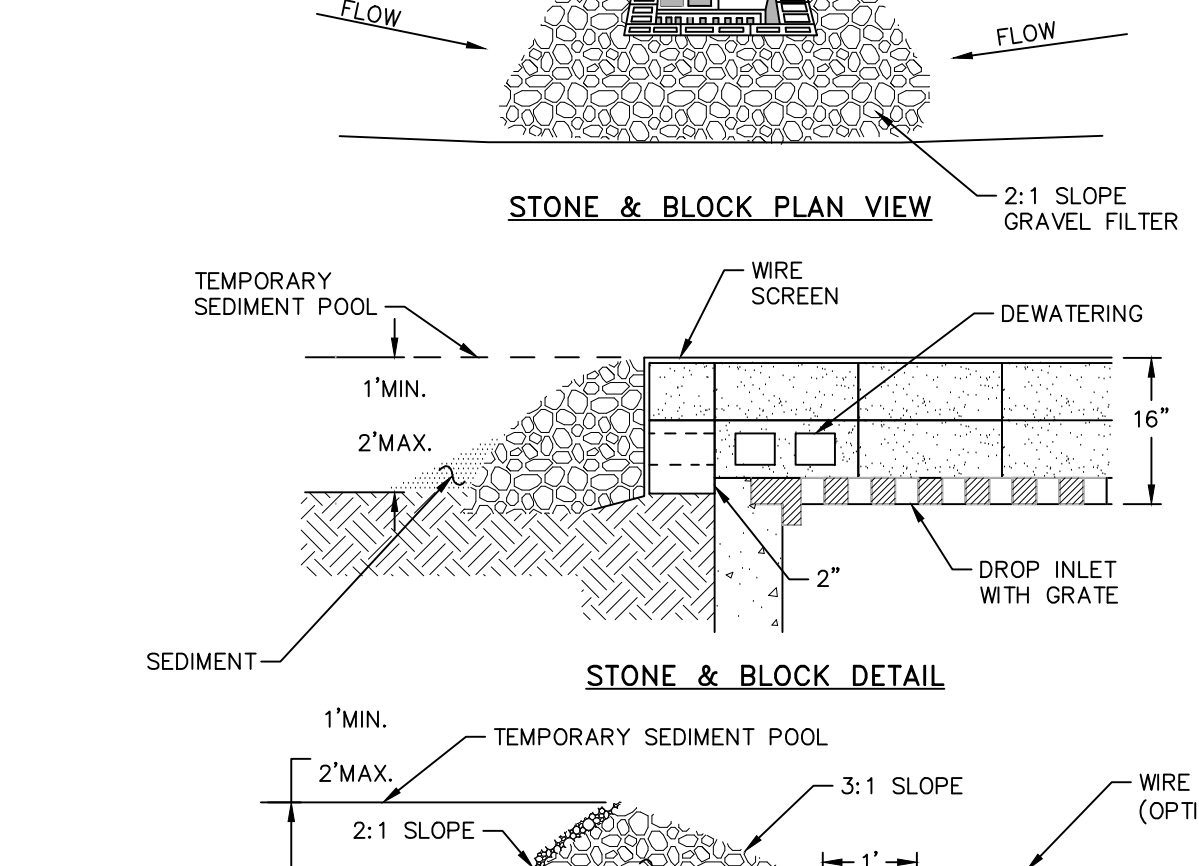
PAINTED CROSSWALK DETAIL
NOT TO SCALE



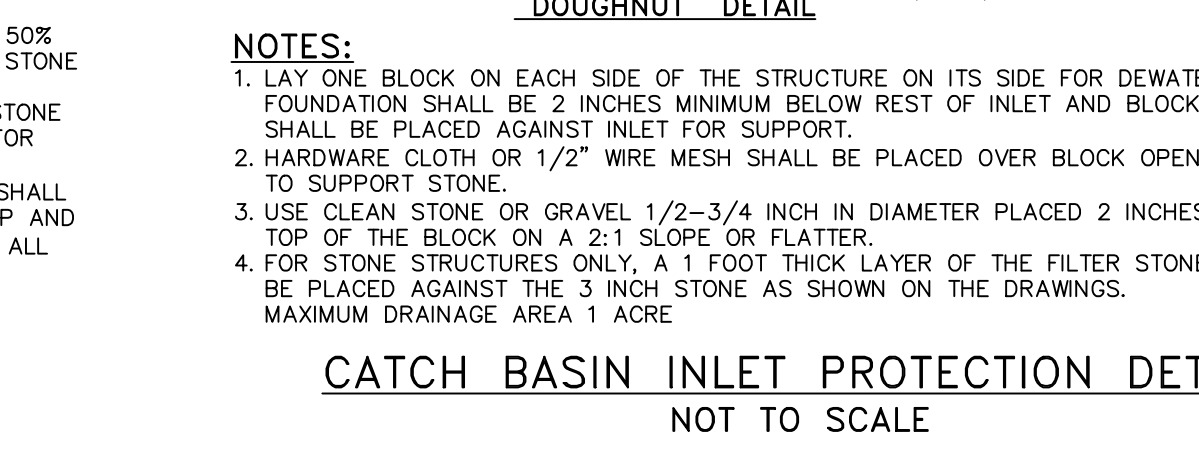
EMERGENCY GATE AT CREEK DRIVE DETAIL
NOT TO SCALE



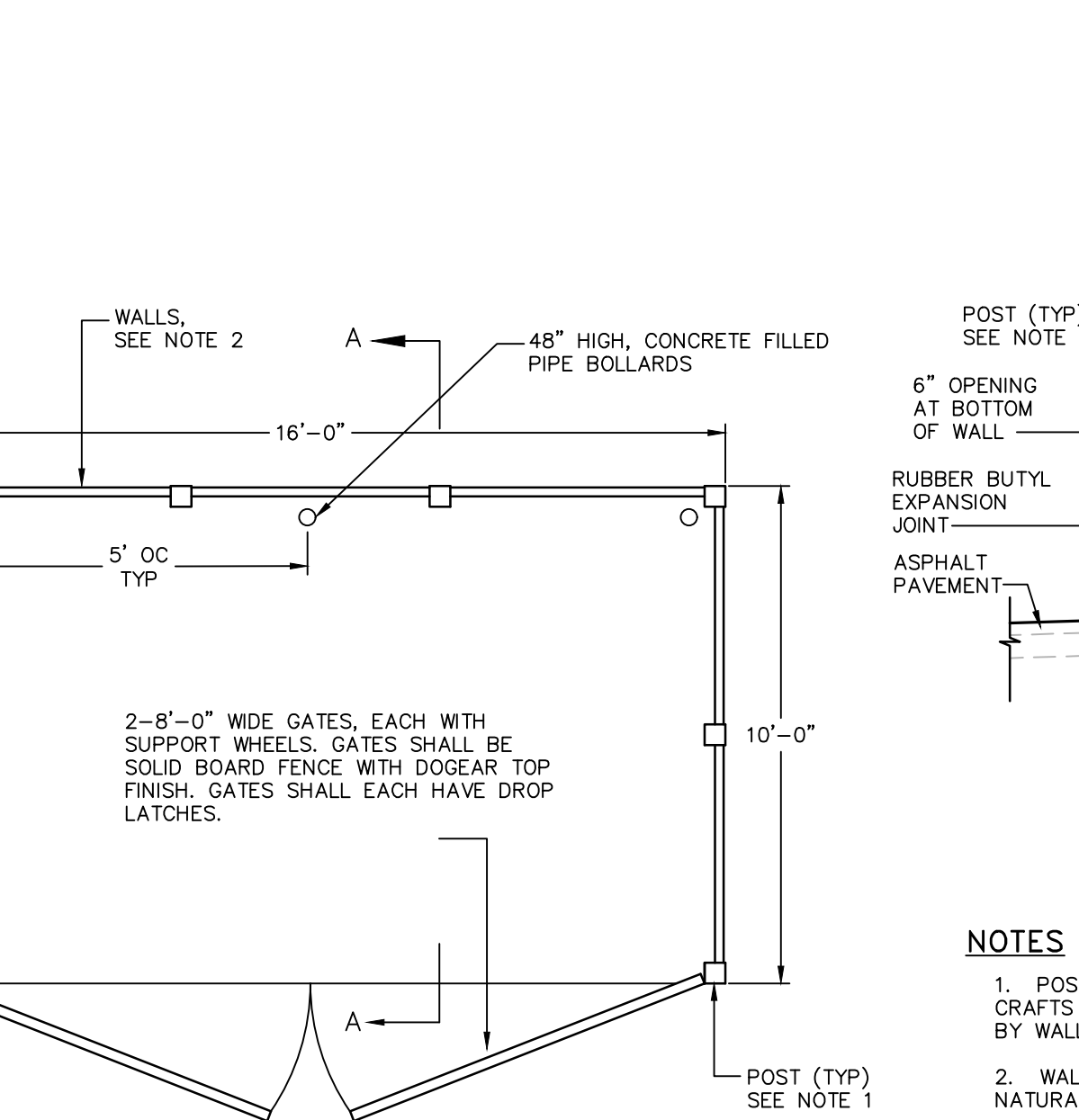
STABILIZED CONSTRUCTION ENTRANCE DETAIL
NOT TO SCALE



STONE & BLOCK PLAN VIEW



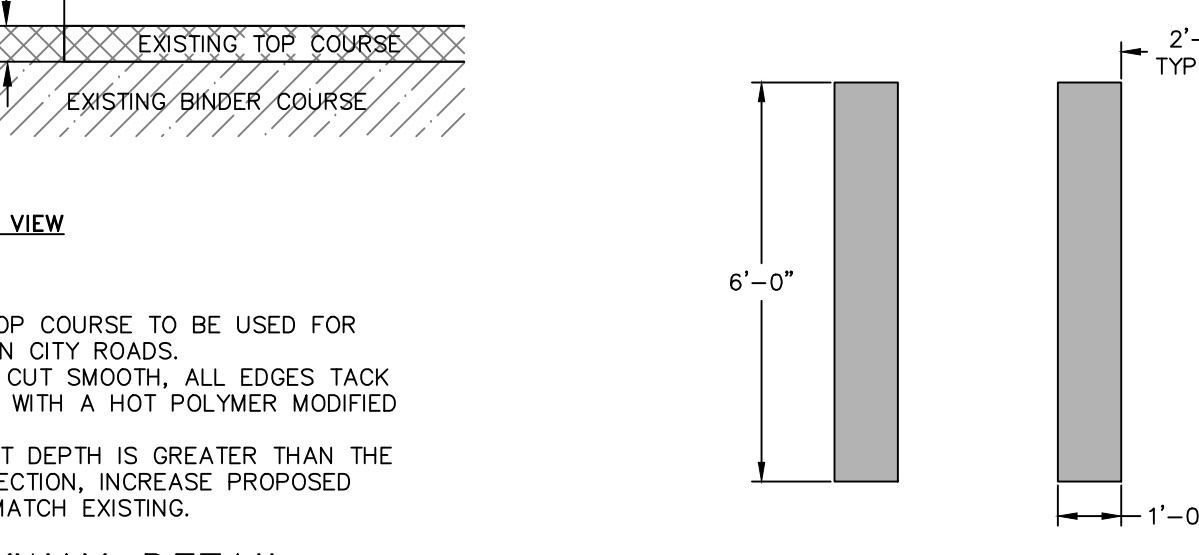
STONE & BLOCK DETAIL



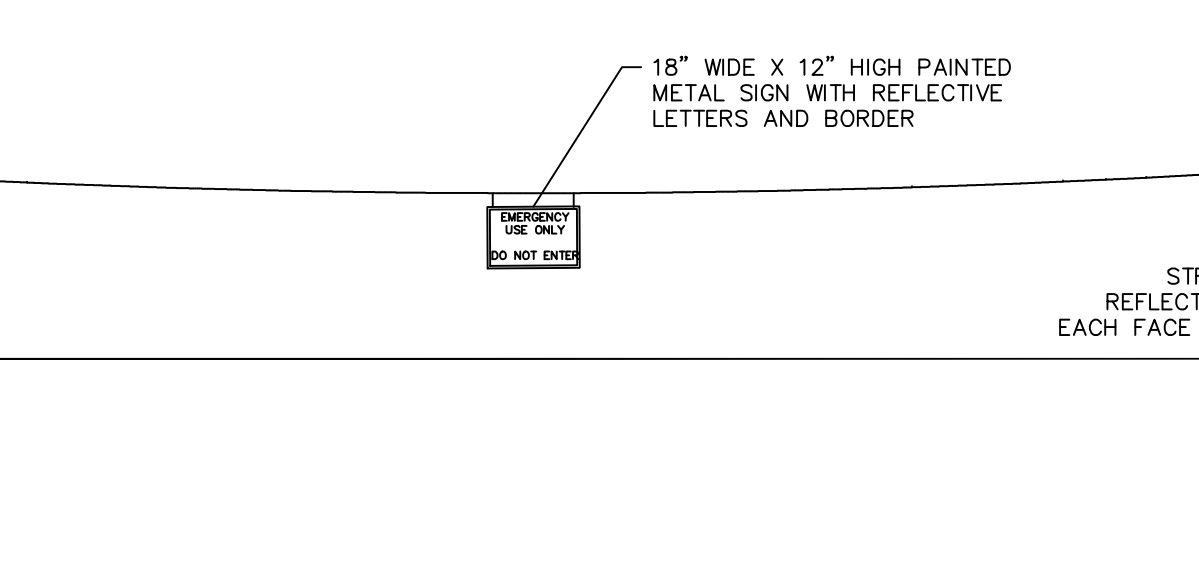
TYPICAL REDI-ROCK GRAVITY WALL
NOT TO SCALE



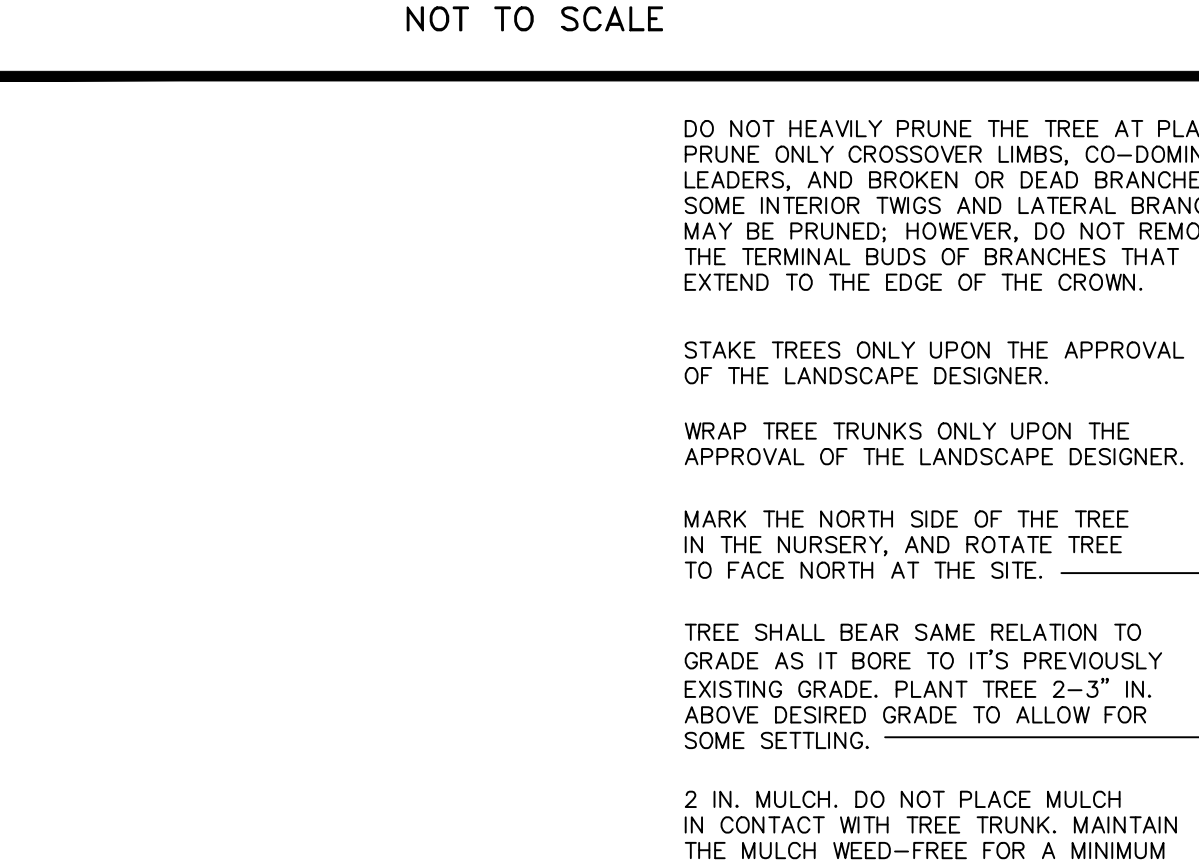
STOP SIGN DETAIL
NOT TO SCALE



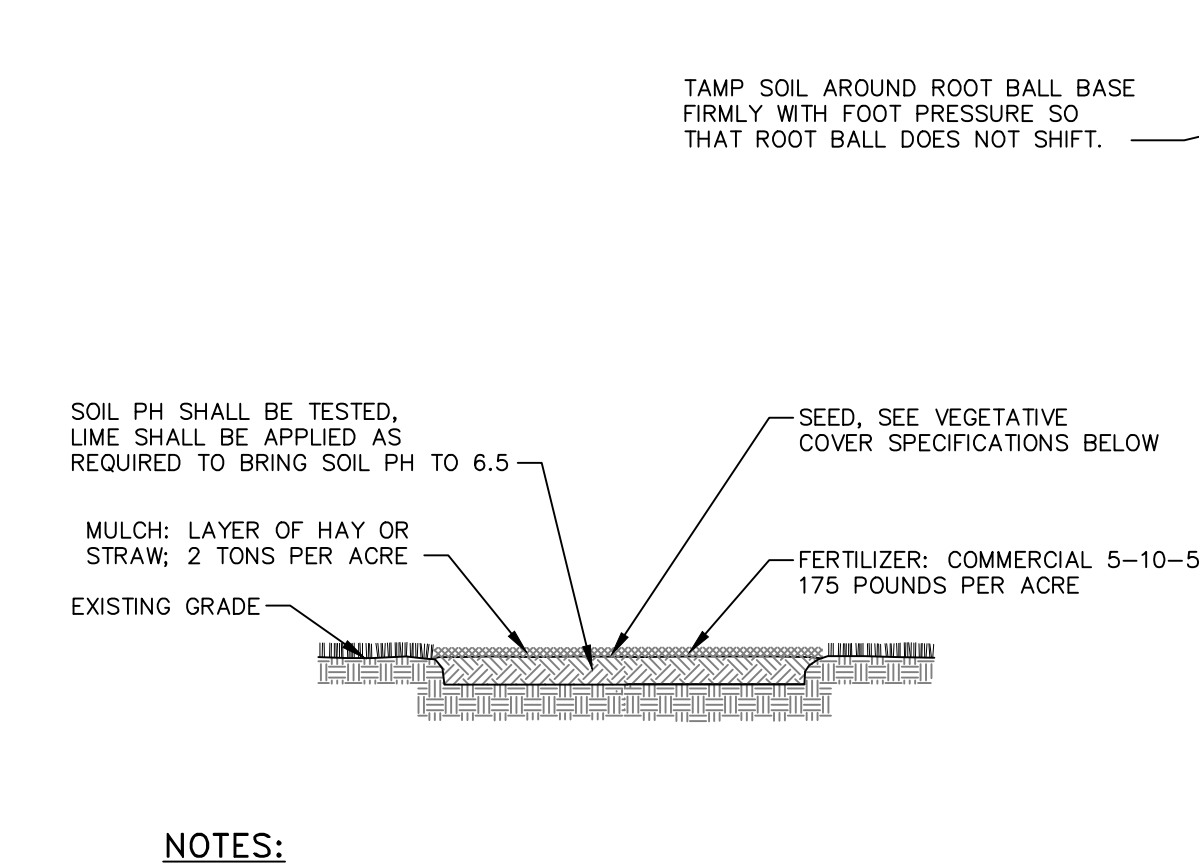
SINGLE POST SIGN DETAIL
NOT TO SCALE



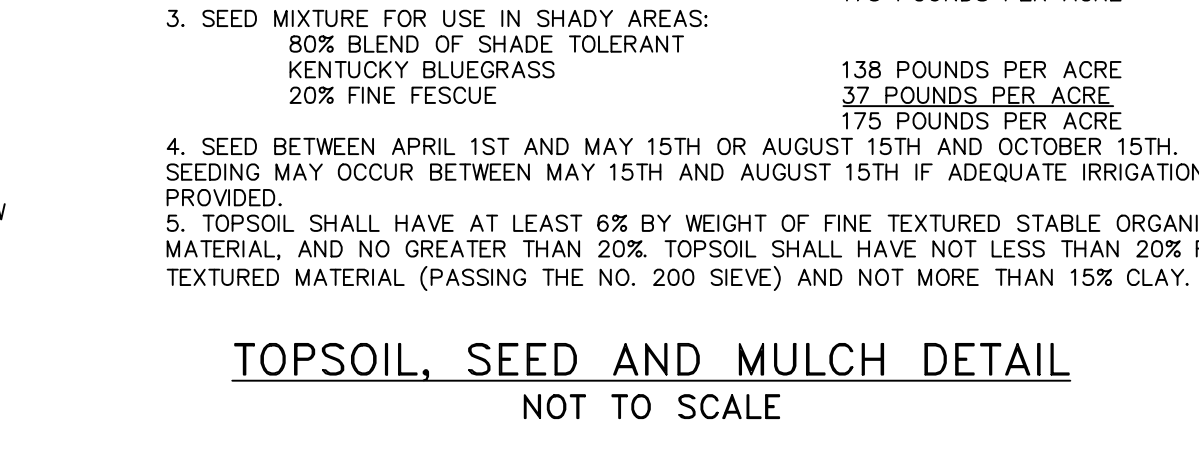
STOP BAR DETAIL
NOT TO SCALE



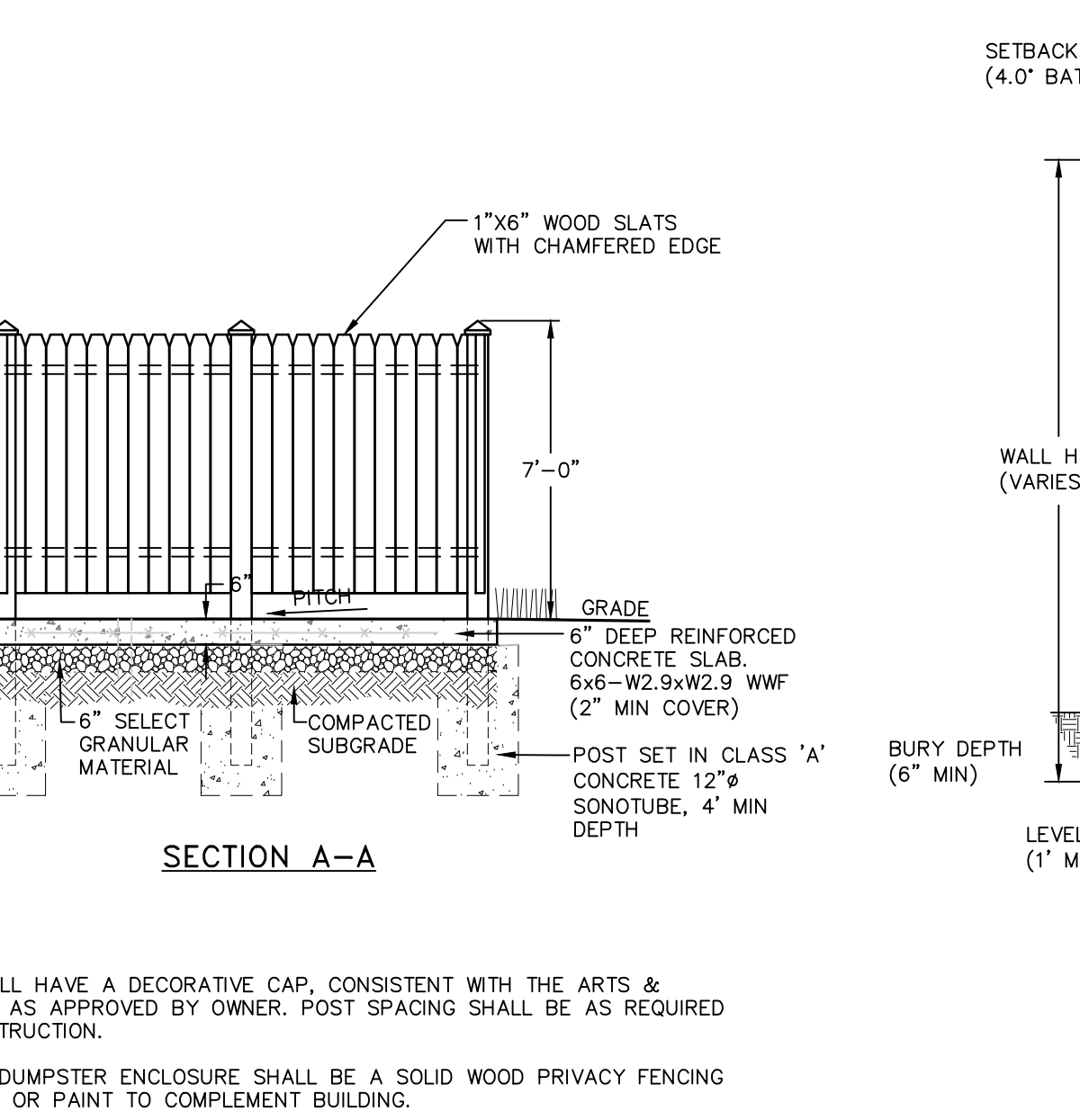
SHRUB PLANTING DETAIL
NOT TO SCALE



TREE PLANTING DETAIL
NOT TO SCALE



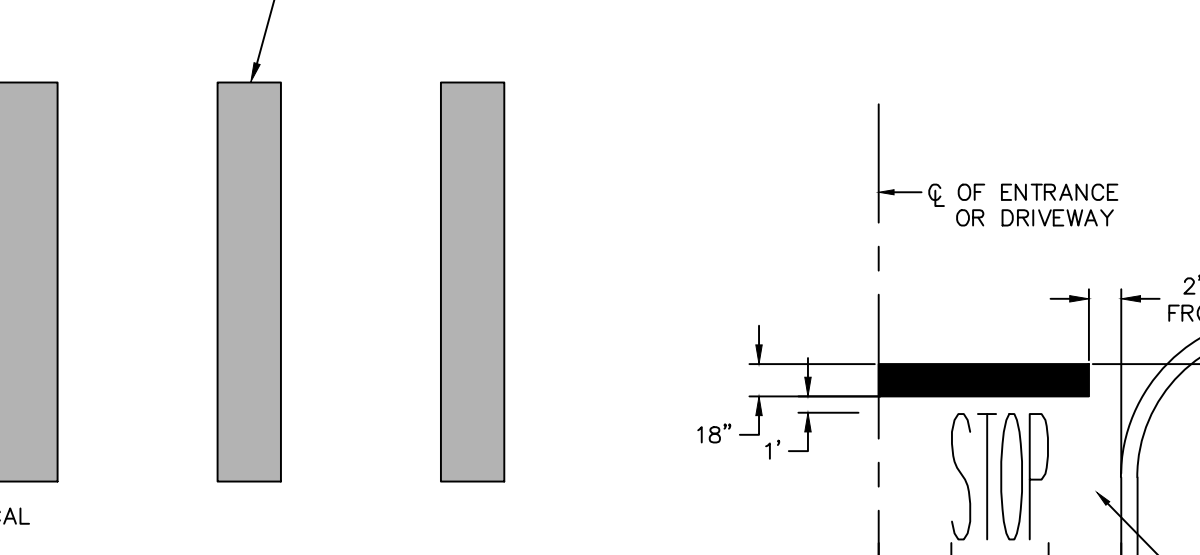
TEMPORARY SOIL STOCKPILE DETAIL
NOT TO SCALE



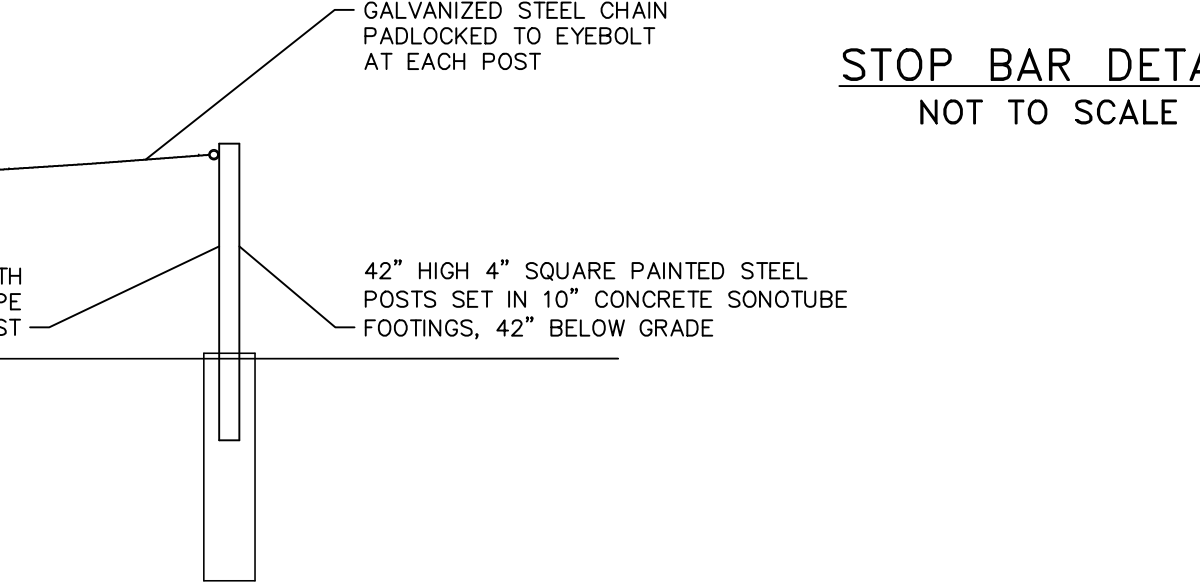
TOPSOIL, SEED AND MULCH DETAIL
NOT TO SCALE



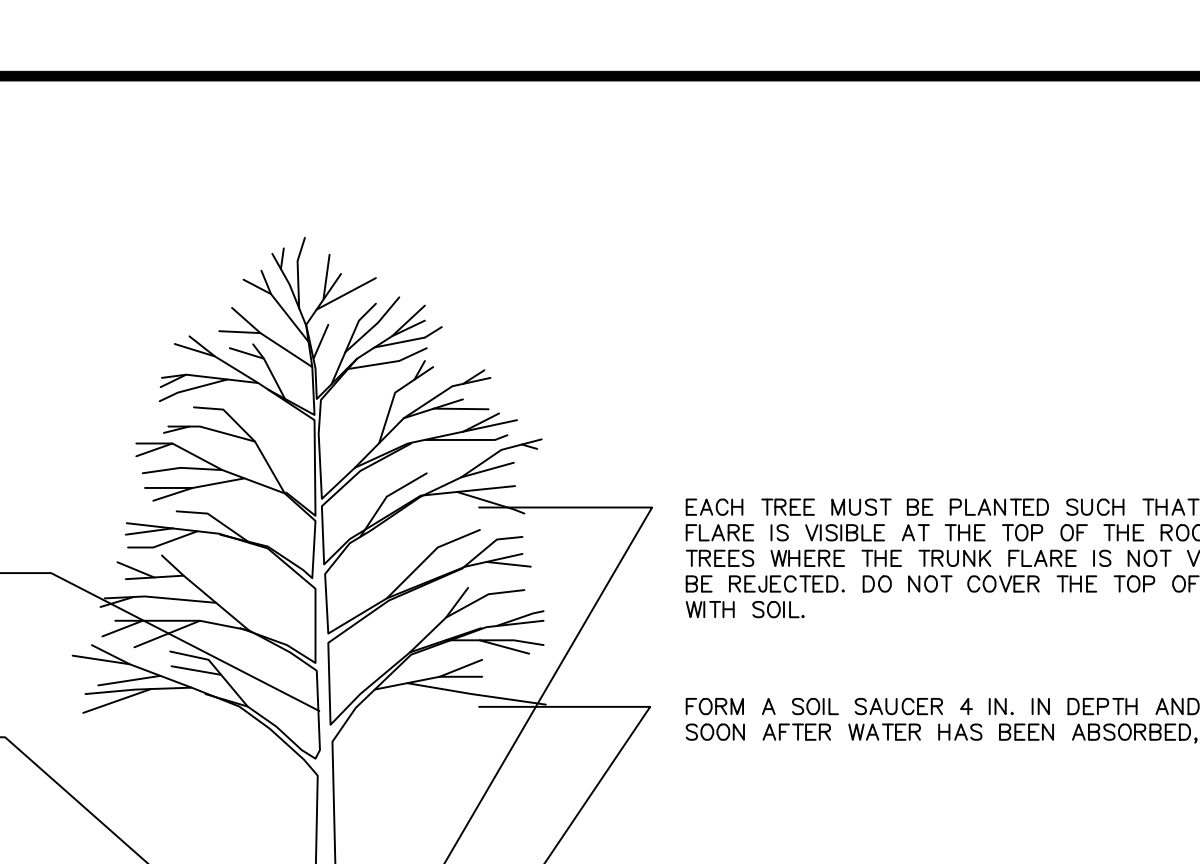
TEMPORARY SOIL STOCKPILE DETAIL
NOT TO SCALE



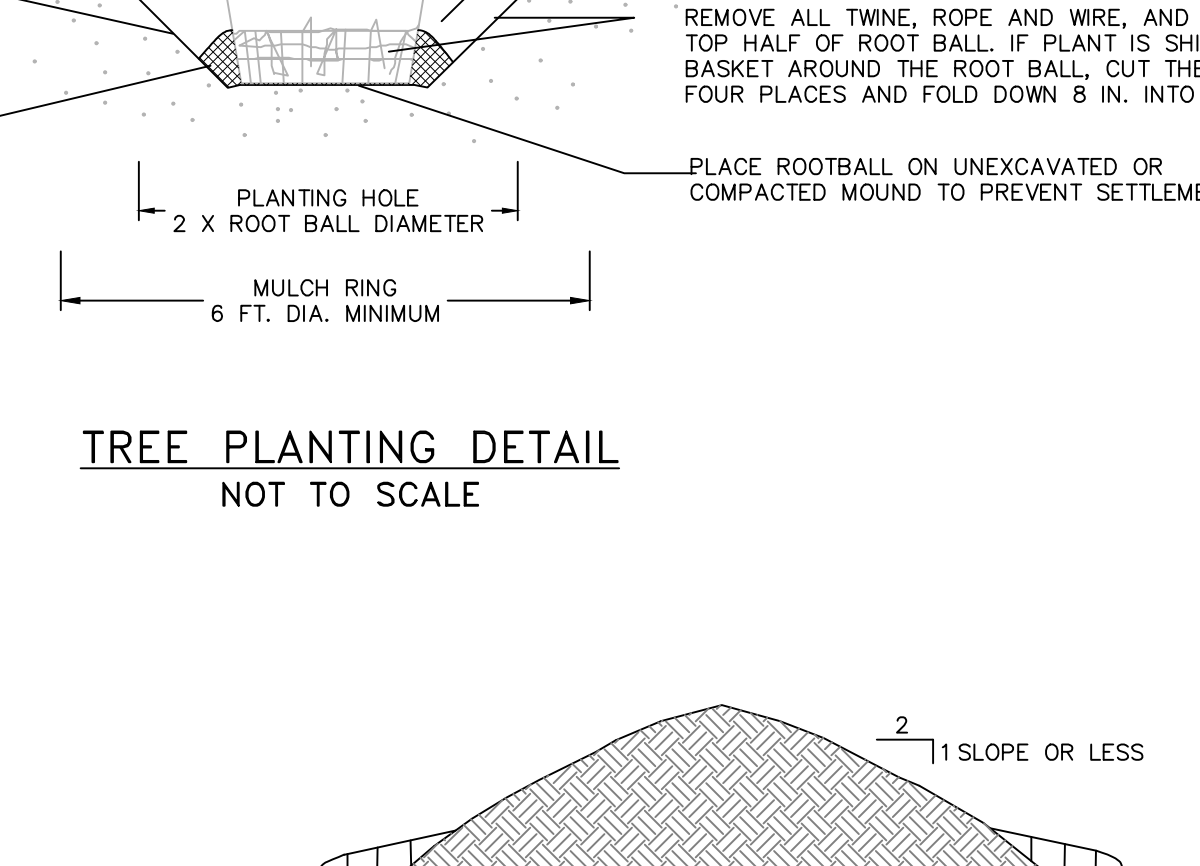
TEMPORARY TREE PROTECTION DETAIL
NOT TO SCALE



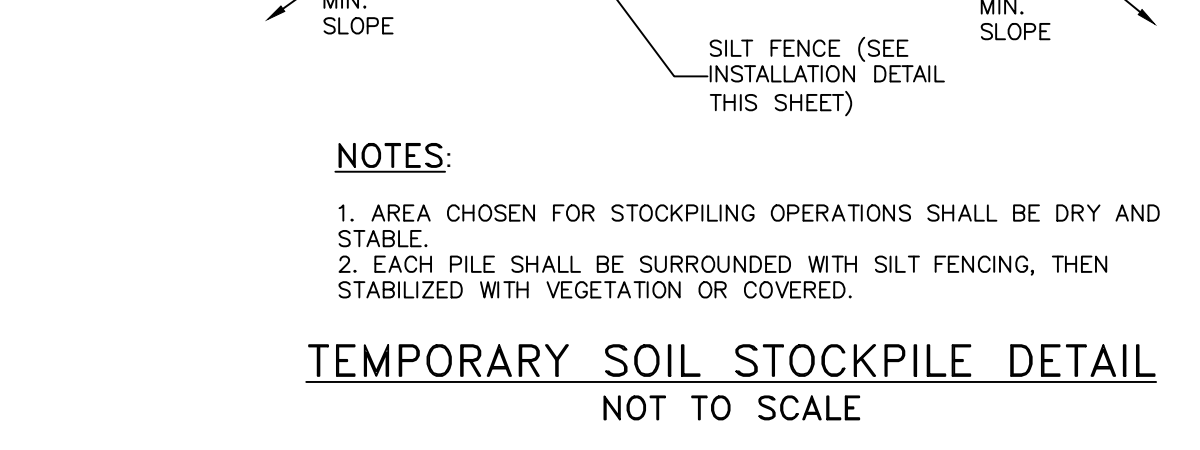
HUDSON LAND DESIGN
PROFESSIONAL ENGINEERING P.C.



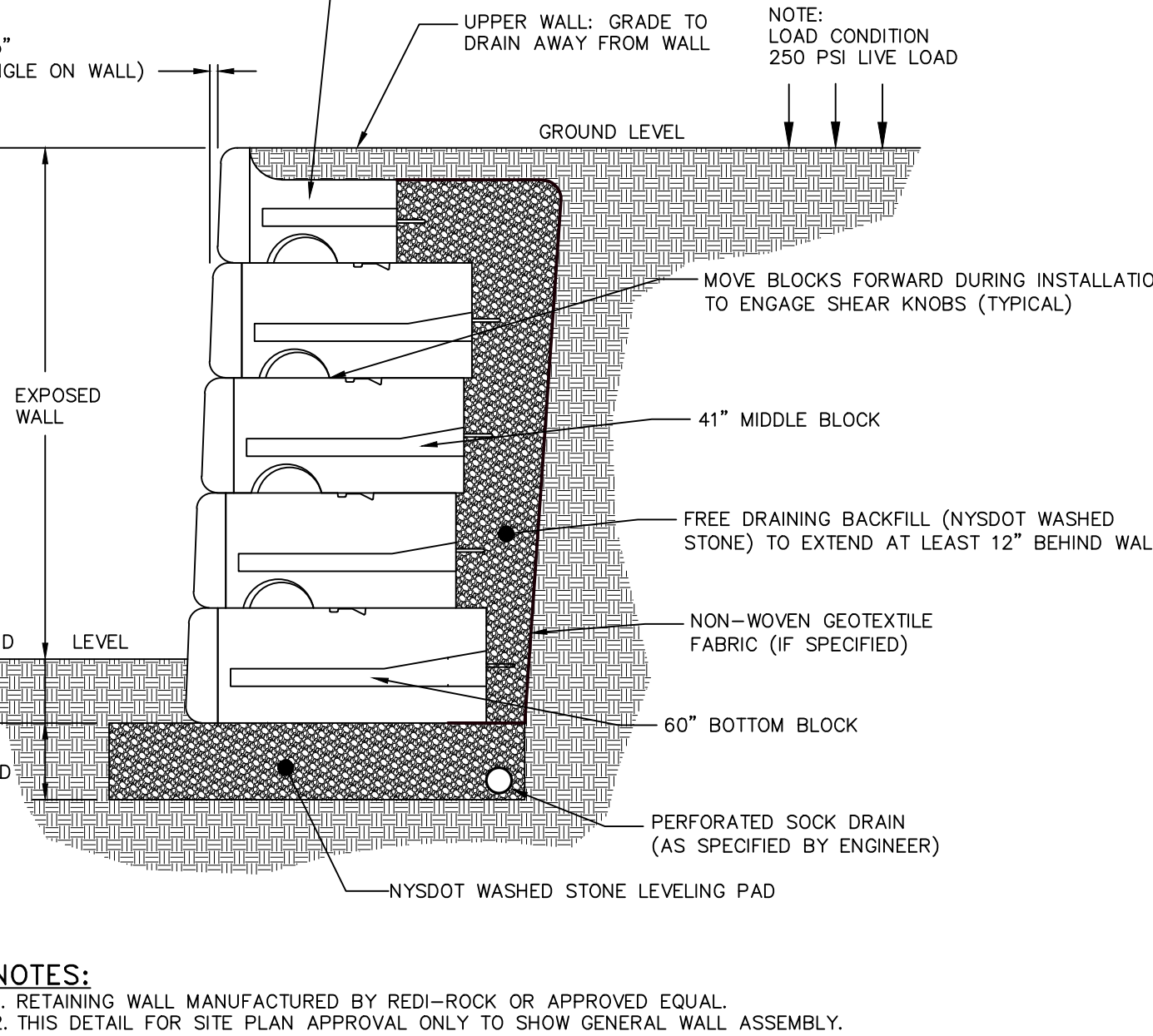
SITE AND E&S DETAILS



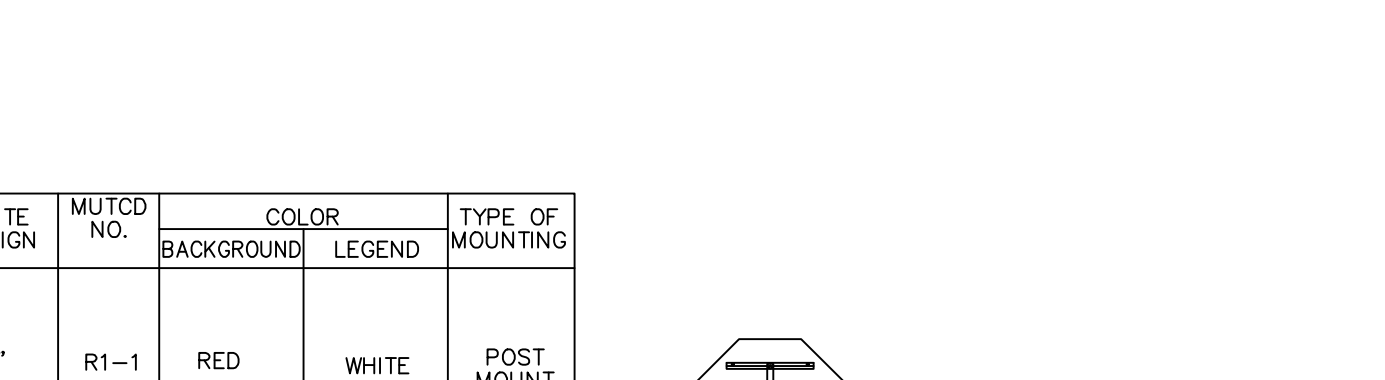
TEMPORARY TREE PROTECTION DETAIL
NOT TO SCALE



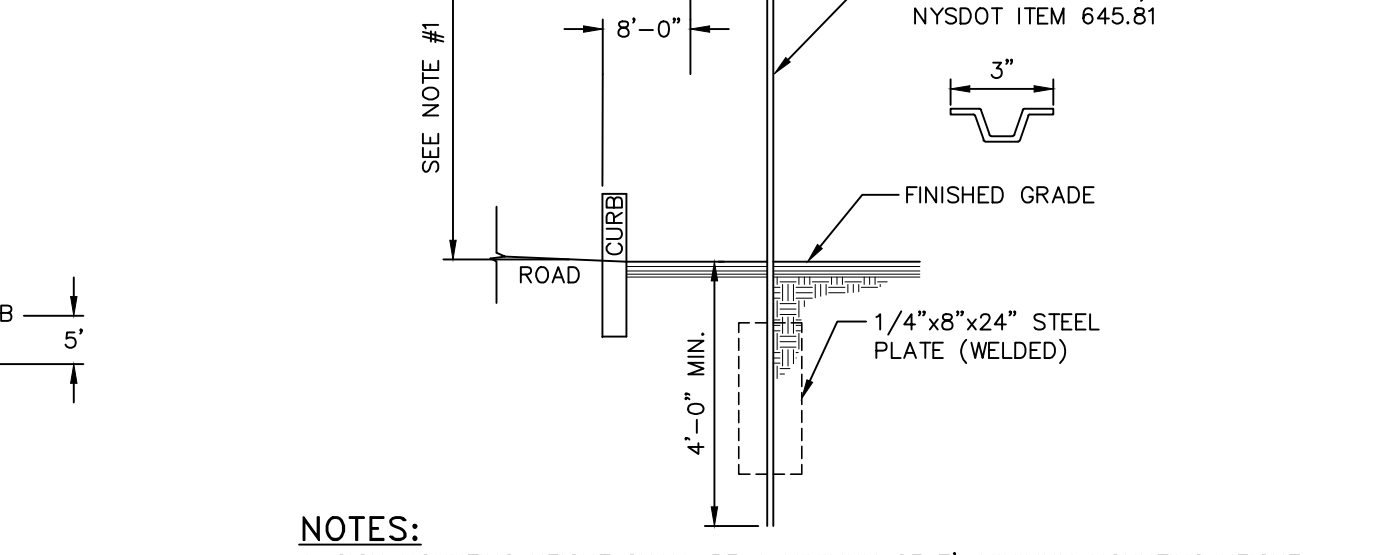
TEMPORARY TREE PROTECTION DETAIL
NOT TO SCALE



TYPICAL REDI-ROCK GRAVITY WALL
NOT TO SCALE



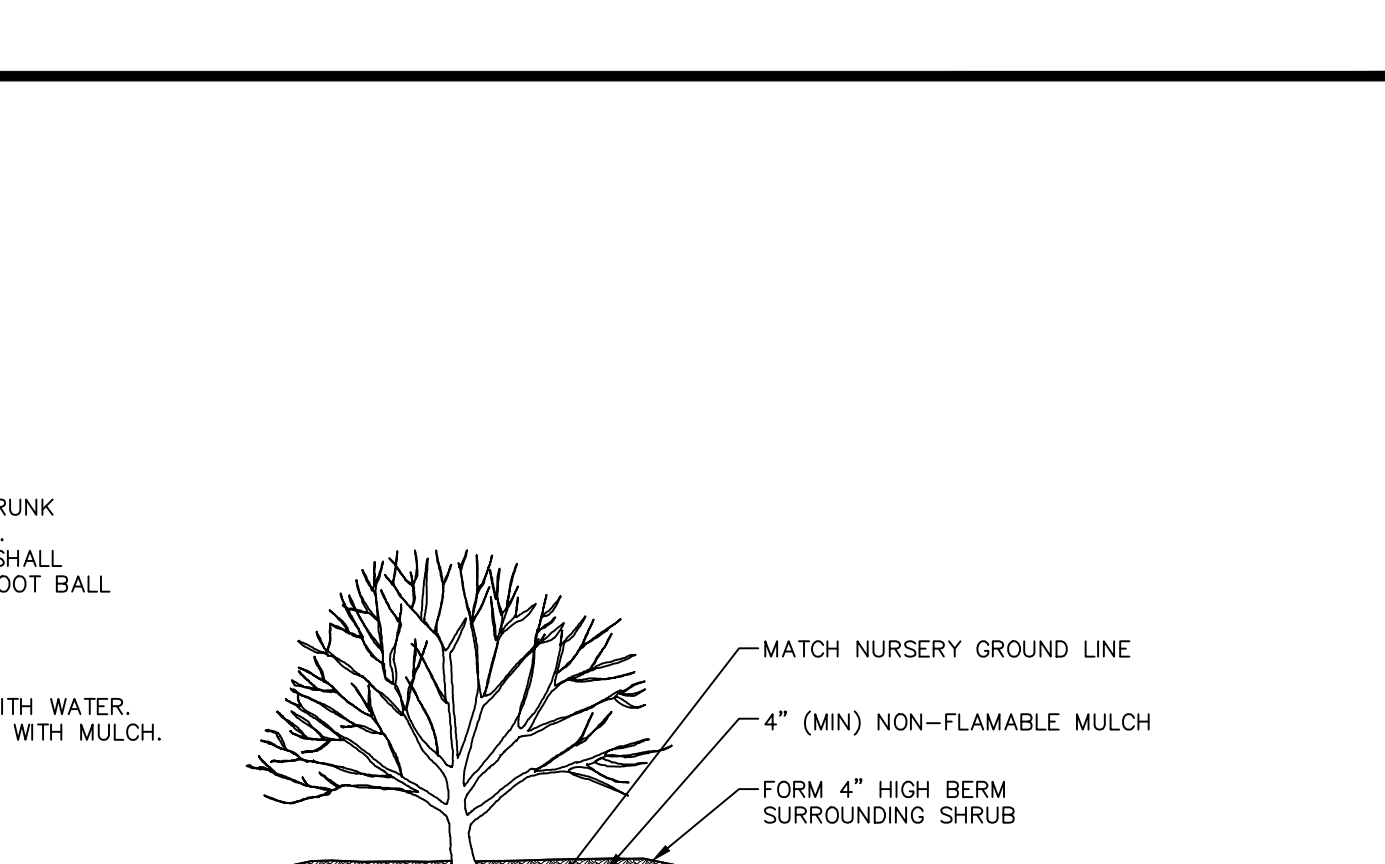
STOP SIGN DETAIL
NOT TO SCALE



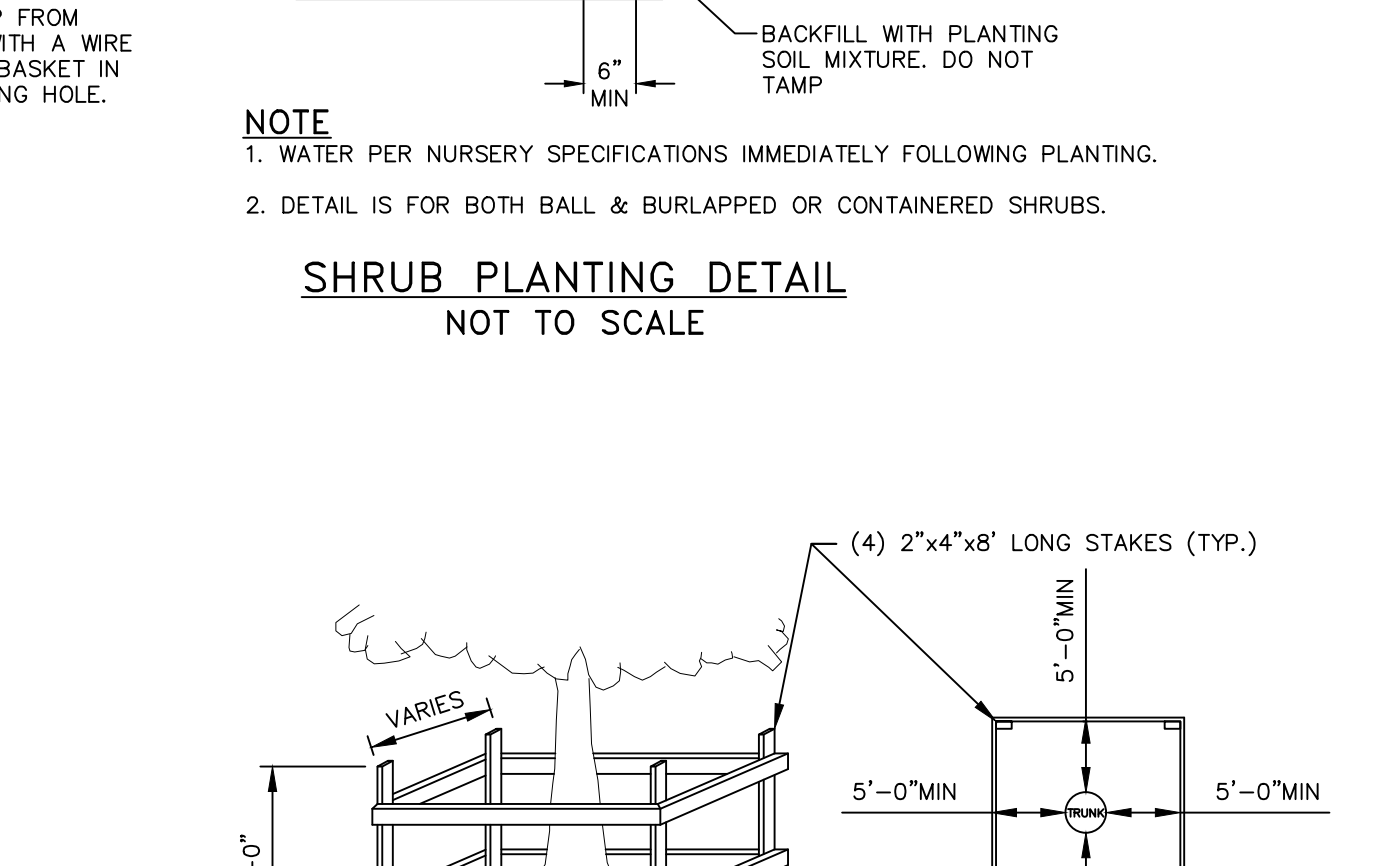
SINGLE POST SIGN DETAIL
NOT TO SCALE



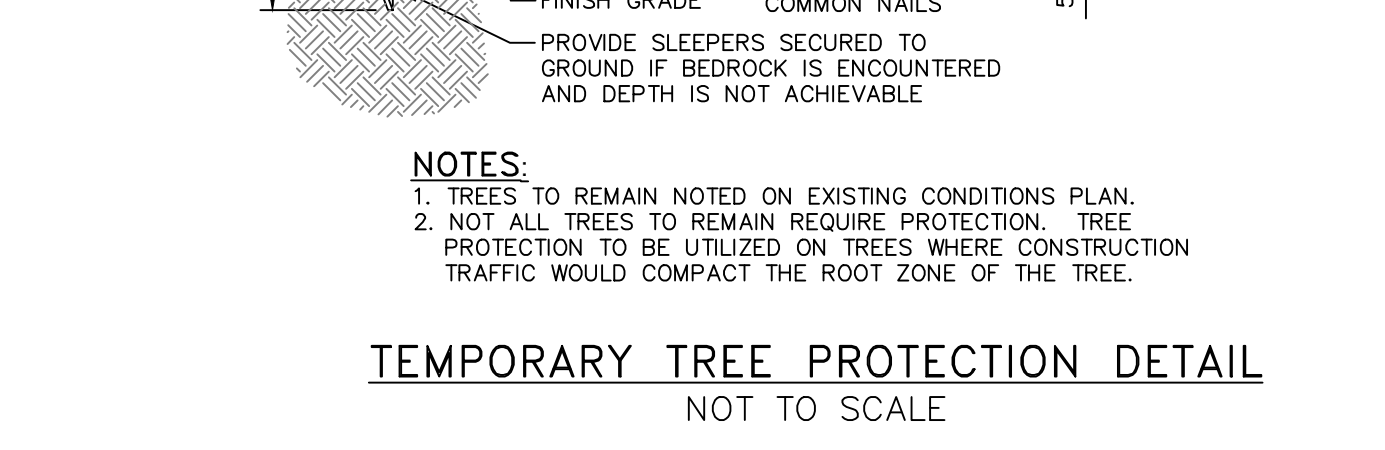
STOP BAR DETAIL
NOT TO SCALE



SHRUB PLANTING DETAIL
NOT TO SCALE



TREE PLANTING DETAIL
NOT TO SCALE



TEMPORARY SOIL STOCKPILE DETAIL
NOT TO SCALE

DRAWN BY: MAB	CHECKED BY: DKG
NO.	DATE
1	12/28/18
2	02/28/19
3	03/28/19
4	04/28/19
5	05/28/19