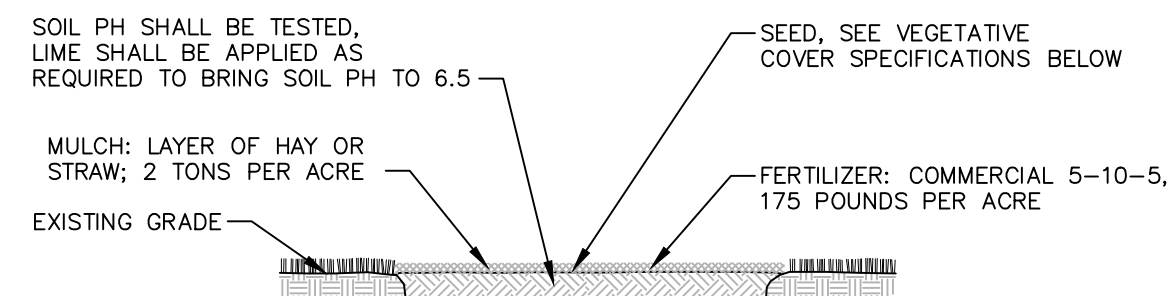


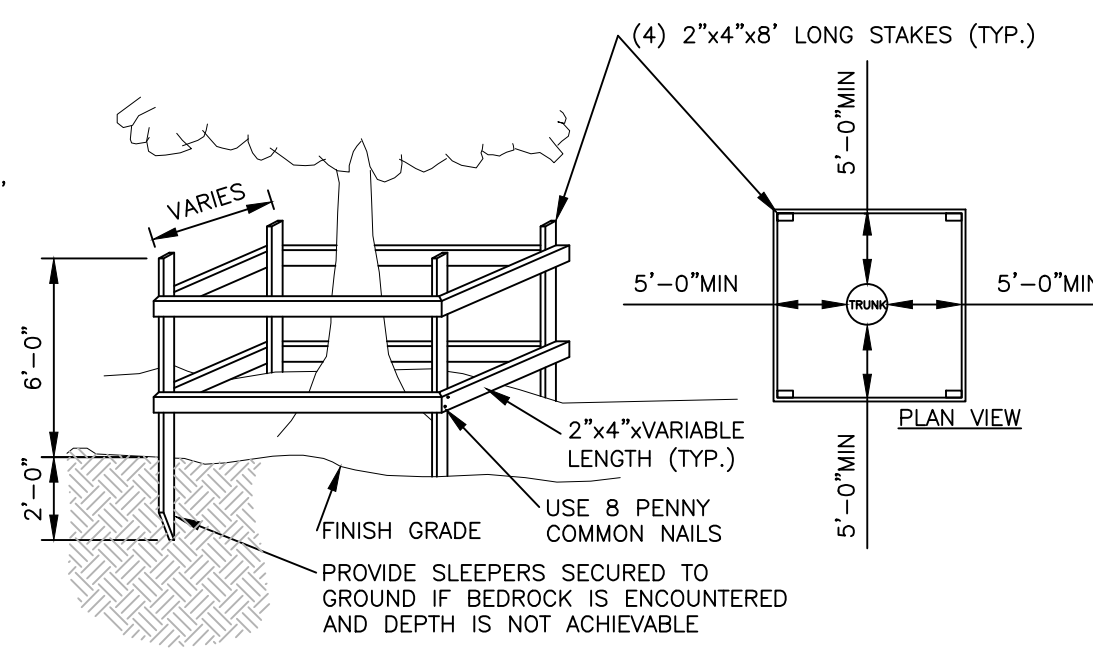
- NOTES:**
1. ALL DIMENSIONS SUBJECT TO CURRENT MUNICIPALITY ZONING AND SITE REGULATIONS.
  2. PAINTED ACCESSIBLE SYMBOL TO BE IN ACCORDANCE WITH NYS DOT AND ADA STANDARDS.
  3. IF PARKING ABUTS A SIDEWALK, THEN THE REGULATORY SIGNS SHALL BE PLACED BEHIND THE SIDEWALK.

**PARKING AND STRIPING DETAIL**  
NOT TO SCALE



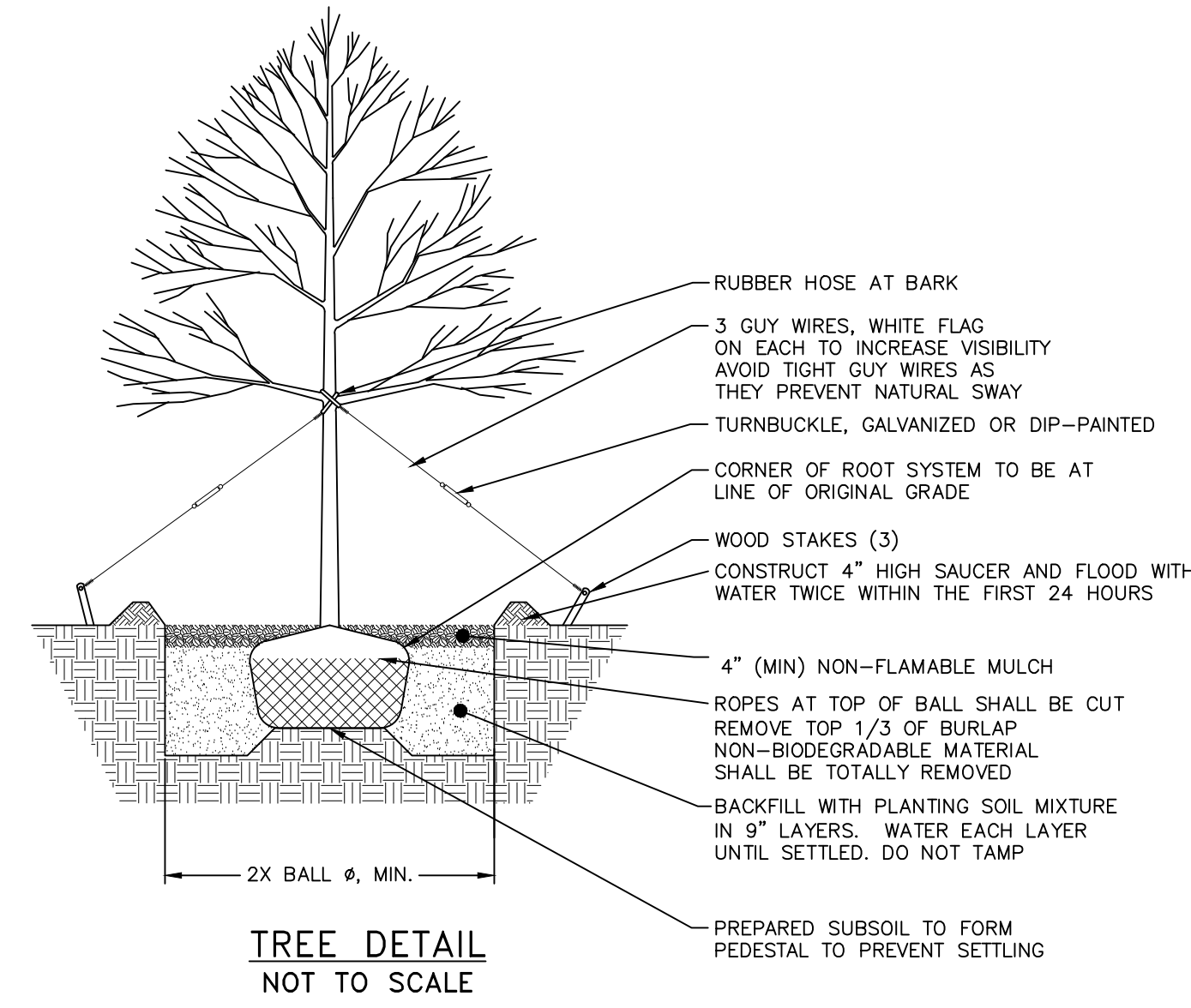
- NOTES:**
1. TOPSOIL, SEED, MULCH, AND FERTILIZE DISTURBED SOIL AREAS THAT WILL BE LEFT EXPOSED FOR 14 DAYS OR MORE.
  2. SEED MIXTURE FOR USE ON LAWNS IN SUNNY AREAS:  
65% KENTUCKY BLUE GRASS BLEND 114 POUNDS PER ACRE  
20% PERENNIAL RYEGRASS 35 POUNDS PER ACRE  
15% FINE FESCUE 26 POUNDS PER ACRE  
175 POUNDS PER ACRE
  3. SEED MIXTURE FOR USE IN SHADY AREAS:  
80% BLEND OF SHADE TOLERANT KENTUCKY BLUEGRASS 138 POUNDS PER ACRE  
20% FINE FESCUE 37 POUNDS PER ACRE  
175 POUNDS PER ACRE
  4. SEED BETWEEN APRIL 1ST AND MAY 15TH OR AUGUST 15TH AND OCTOBER 15TH. SEEDING MAY OCCUR BETWEEN MAY 15TH AND AUGUST 15TH IF ADEQUATE IRRIGATION IS PROVIDED.
  5. TOPSOIL SHALL HAVE AT LEAST 6% BY WEIGHT OF FINE TEXTURED STABLE ORGANIC MATERIAL, AND NO GREATER THAN 20%. TOPSOIL SHALL HAVE NOT LESS THAN 20% FINE TEXTURED MATERIAL (PASSING THE NO. 200 SIEVE) AND NOT MORE THAN 15% CLAY.

**TOPSOIL, SEED AND MULCH DETAIL**  
NOT TO SCALE

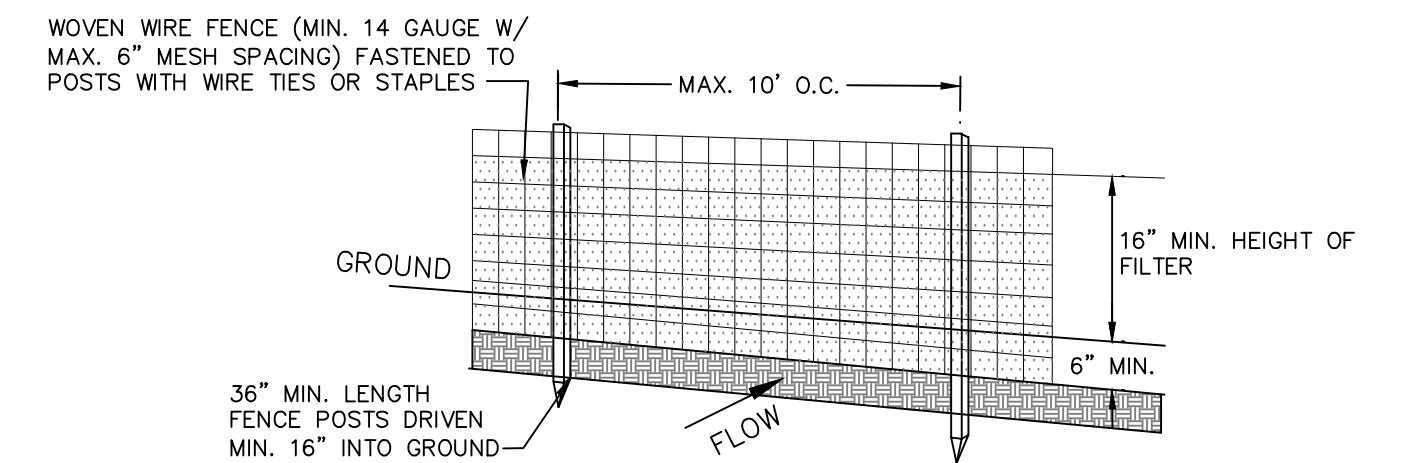


- NOTES:**
1. TREES TO REMAIN NOTED ON EXISTING CONDITIONS PLAN.
  2. NOT ALL TREES TO REMAIN REQUIRE PROTECTION. TREE PROTECTION TO BE UTILIZED ON TREES WHERE CONSTRUCTION TRAFFIC WOULD COMPACT THE ROOT ZONE OF THE TREE.

**TEMPORARY TREE PROTECTION DETAIL**  
NOT TO SCALE

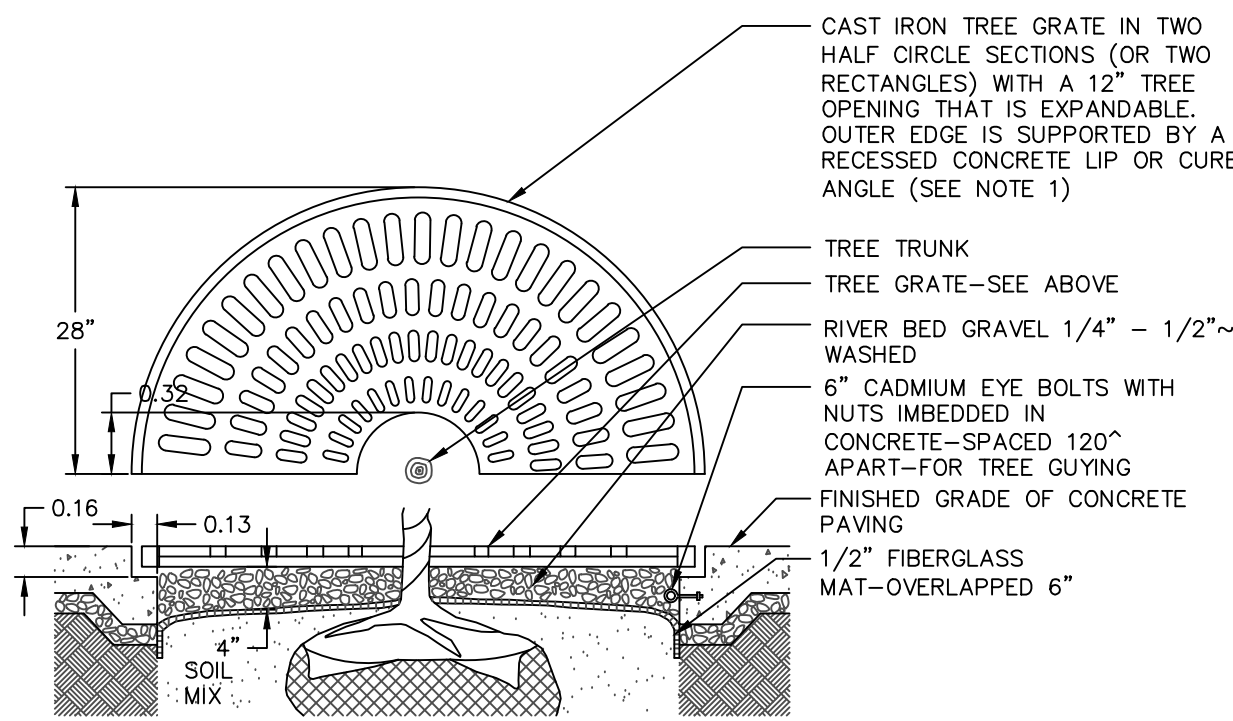


**TREE DETAIL**  
NOT TO SCALE



- NOTES:**
1. FILTER CLOTH TO BE FASTENED SECURELY TO WOVEN WIRE FENCE WITH TIES SPACED EVERY 24" AT TOP AND MID SECTION.
  2. WHEN TWO SECTIONS OF FILTER CLOTH ADJOIN EACH OTHER THEY SHALL BE OVER-LAPPED BY SIX INCHES AND FOLDED. FILTER CLOTH SHALL BE EITHER FILTER X, MIRAFL 100X, STABILINKA T140N OR APPROVED EQUAL.
  3. PREFABRICATED UNITS SHALL BE GEOFAB, ENVIROFENCE OR APPROVED EQUAL.
  4. MAINTENANCE SHALL BE PERFORMED AS NEEDED AND MATERIAL REMOVED WHEN "BULGES" DEVELOP IN THE SILT FENCE.

**SILT FENCE DETAIL**  
NOT TO SCALE



- NOTES:**
1. TREE GRATE SHAPE SHALL BE COORDINATED WITH THE CITY OF BEACON BUILDING DEPARTMENT.

**TREE GRATE PLANTING DETAIL**  
NOT TO SCALE

APPROVED BY RESOLUTION OF THE PLANNING BOARD OF THE CITY OF BEACON, NEW YORK, ON THE \_\_\_\_\_ DAY OF \_\_\_\_\_, 20\_\_\_\_, SUBJECT TO ALL REQUIREMENTS AND CONDITIONS OF SAID RESOLUTION, ANY CHANGE, ERASURE, MODIFICATION OR REVISION OF THIS PLAT, AS APPROVED, SHALL VOID THIS APPROVAL.

SIGNED THIS \_\_\_\_\_ DAY OF \_\_\_\_\_, 20\_\_\_\_, BY \_\_\_\_\_

CHAIRMAN

SECRETARY

IN ABSENCE OF THE CHAIRMAN OR SECRETARY, THE ACTING CHAIRMAN OR ACTING SECRETARY RESPECTIVELY MAY SIGN IN THIS PLACE.

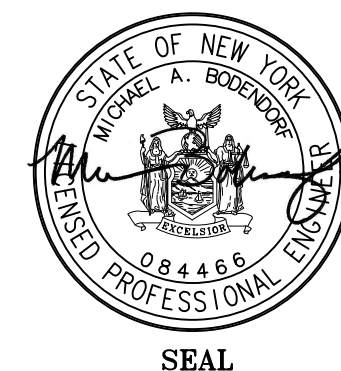
DRAWN BY: CMB

CHECKED BY: MAB

REVISIONS:

REVISIONS:

NO.	DATE	DESCRIPTION	BY	NO.	DATE	DESCRIPTION	BY
1	7/30/19	ADDED SHEET	MAB				
2	9/24/19	PER PLANNING BOARD COMMENTS	MAB				
3	10/29/19	PER PLANNING BOARD COMMENTS	CMB				



HUDSON LAND DESIGN  
PROFESSIONAL ENGINEERING P.C.  
174 MAIN ST., BEACON, NEW YORK 12508  
13 CHAMBERS ST., NEWBURGH, NEW YORK 12550  
PH: 845-440-6926  
F: 845-440-6637

CONSTRUCTION DETAILS

THE HOSE COMPANY, LLC

162 MAIN STREET  
CITY OF BEACON  
DUTCHESS COUNTY, NEW YORK  
TAX ID: 5954-27-781973

JOB #: 2017-007

DATE: 6/25/19

SCALE: 1" = 10'

TITLE: SD-1

SHEET: 3 OF 3